



Monocrystalline Photovoltaic Module

# LEPVV 120 HALF-CUT

BLACK - STANDARD - BICOLOUR

375 / 380 Wp

## QUALITY



**120 cells**

Half-Cut monocrystalline



**+20%**

**Efficiency**

Over 20% efficiency



**Fire resistance**

Maximum protection



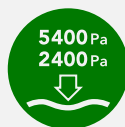
**Long durability**

Continuous performance



**Avoid losses**

Better shading tolerance



**Load endurance**

Front load / Back load

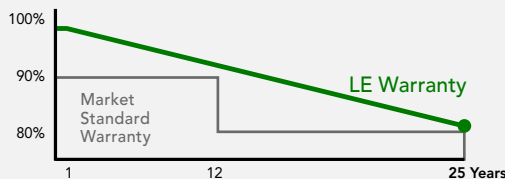


\*\*\* EUROPEAN QUALITY \*\*\*

## WARRANTIES

**20 YEARS PRODUCT WARRANTY**  
+5 years for Premium Partners

**25 YEARS PERFORMANCE WARRANTY**  
Linear Warranty



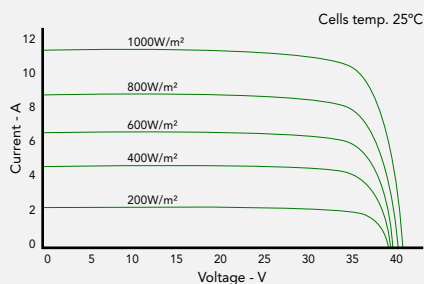
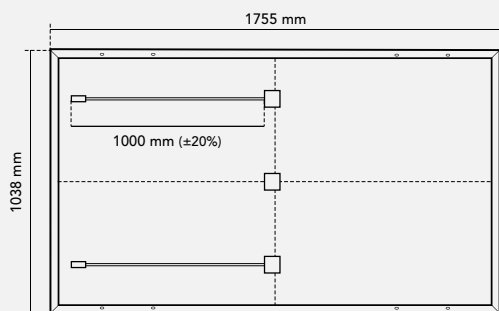
## CERTIFICATES





## TECHNICAL FEATURES

### LEPV 120 HALF-CUT 375W<sub>p</sub> - 380W<sub>p</sub>



#### FRAME

Black / Silver anodized aluminium

Robust and resistant to corrosion

#### JUNCTION BOX

Sealed, robust and wide for heat dissipation

IP67/IP68 according to IEC 60529

Diodes by-pass built-in 3

Connector MC4 compatible

Cables 1000 mm (±20%) length and 4 mm<sup>2</sup> section

#### FRONTAL

3,2 mm thick tempered glass with high strength and ARC

Textured, extra-clear with low iron content

Frontal load (snow) 5400 Pa | Back load (wind) 2400 Pa

#### SOLAR CELLS

120 [2x(10x6)] cells monocrystalline silicon

#### WEIGHT AND DIMENSIONS

19,2 Kg | 1755 x 1038 x 35 mm (±1%) | Pack: 858 pcs-truck

## ELECTRIC DATA

BLACK - STANDARD - BICOLOUR	LEPV 375	LEPV 380
<b>STC: 1000 W/m<sup>2</sup>, module temperature 25°C, AM 1,5</b>		
Nominal power. P <sub>max</sub>	375 W <sub>p</sub>	380 W <sub>p</sub>
Max. power tolerance. P <sub>max</sub>	0 / +5 W	0 / +5 W
Area of the module	1,82 m <sup>2</sup>	
Module efficiency	20,61 %	20,87 %
I <sub>sc</sub>	11,46 A	11,55 A
V <sub>oc</sub>	41,50 V	41,70 V
I <sub>mp</sub>	10,95 A	11,03 A
V <sub>mp</sub>	34,28 V	34,47 V
<b>NOCT: 800 W/m<sup>2</sup>, ambient temperature 20°C, AM 1,5</b>		
Nominal power. P <sub>max</sub>	283,16 W	286,82 W
I <sub>sc</sub>	9,24 A	9,31 A
V <sub>oc</sub>	39,30 V	39,49 V
I <sub>mp</sub>	8,83 A	8,89 A
V <sub>mp</sub>	32,08 V	32,26 V
<b>Operating parameters. Temperature coefficients</b>		
Maximum voltage	1000 - 1500 V	
Maximum series fuse rating. I <sub>r</sub>	20 A	
α I <sub>sc</sub>	0,041 % / °C	
β V <sub>oc</sub>	- 0,295 % / °C	
γ P <sub>max</sub>	- 0,37 % / °C	
Temperature range	- 40 °C ~ + 85 °C	
NOCT	43 ± 3 °C	

NOTE: Read the instruction manual of this product and follow the indications STC. Values are valid for: 1000W/m<sup>2</sup>, AM 1,5 and cells temperature of 25°C. Measurement tolerance +/-3% (AAA Solar simulation -IEC 60.904-9-). All the information of this brochure may be amended without notice by Lina Energy