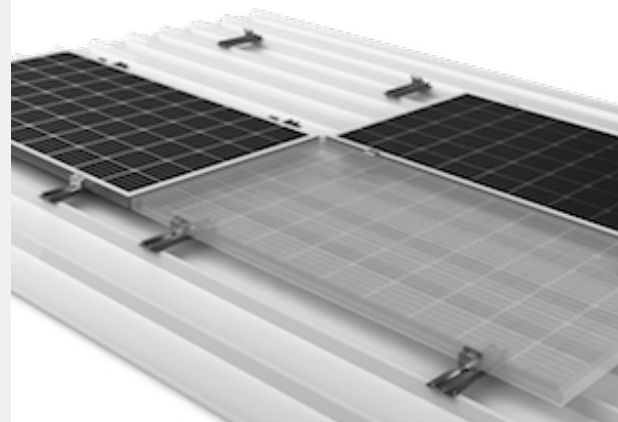


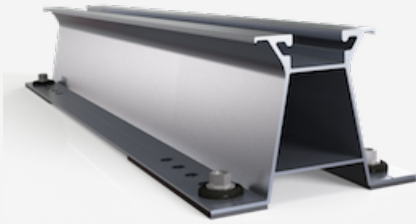
Sandwich & Trapezoidal Sheet Rail

Low Cost - Optimum Solution

- ▶ ISOTRAP S is a low cost and easy install system optimized for trapezoidal and sandwich sheet metal roofs
- ▶ It can be used in Landscape or in Portrait orientation layout
- ▶ Max. strength is obtained trough self drilling screw
- ▶ Send with special EPDM seal between profile and sandwich panel



ISOTRAP S



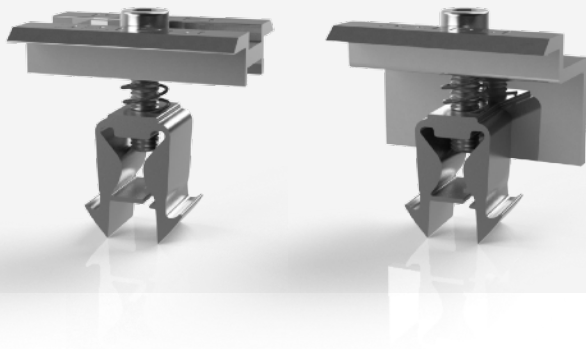
ISOTRAP S-H Profile

- ▶ Optimum strength obtained in portrait and landscape layouts
- ▶ Advantage of low cost
- ▶ Delivered with pre-assembled epdm seal



Self drilling screw

- ▶ This self drilling screw with seal, drills a hole no bigger than needed
- ▶ Fastening without swarf
- ▶ Sealing warranty



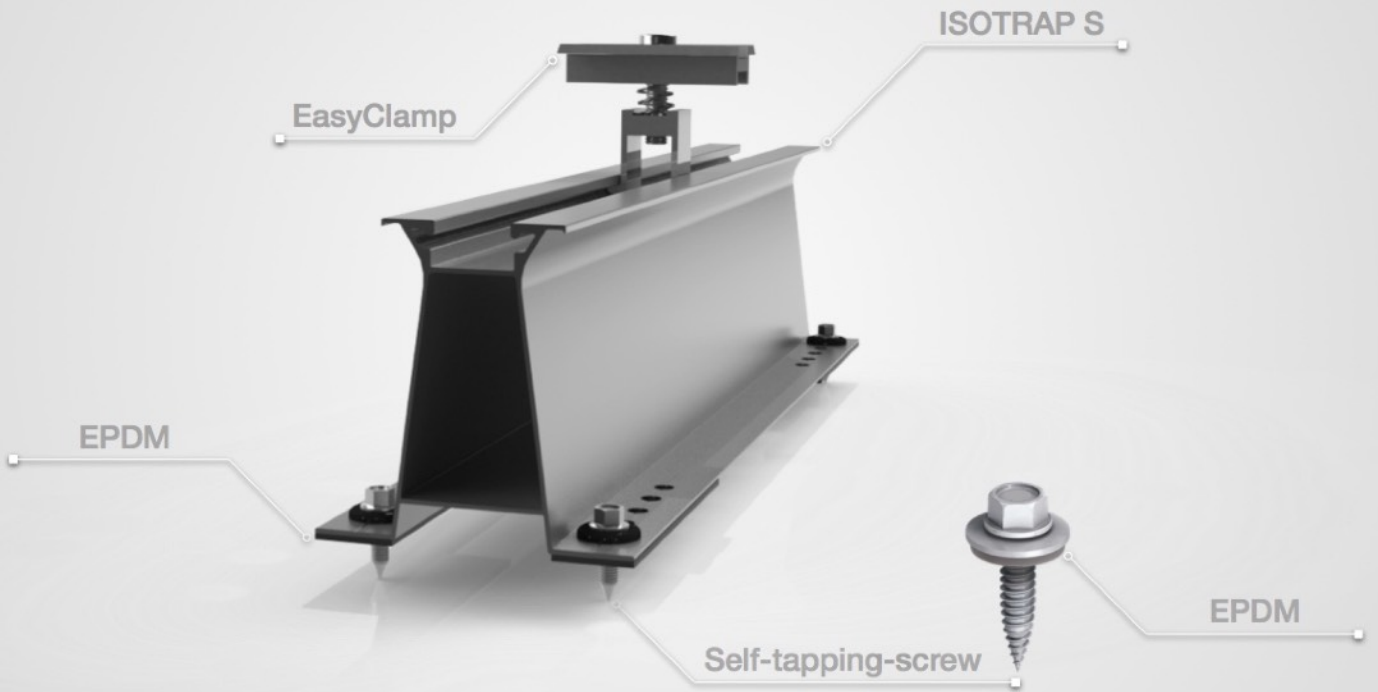
EasyClamp V1 Middle + End Clamp

- ▶ Delivered in set with integrated nut and spring. Can reduce pv module installation time up to 15%
- ▶ Compatible with all Isotec profiles. Universal clamps work with framed pv modules between 35 - 45 mm height.

Technical Data

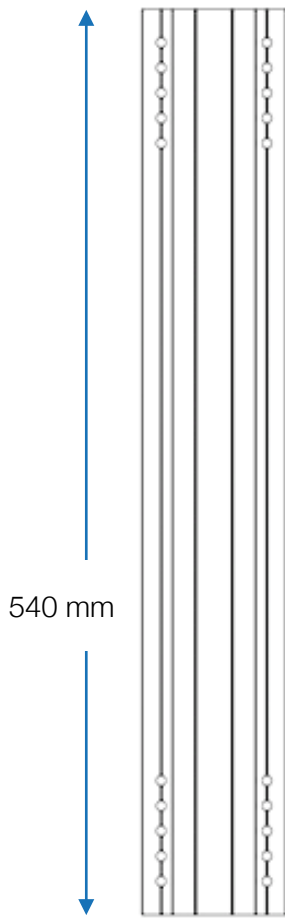
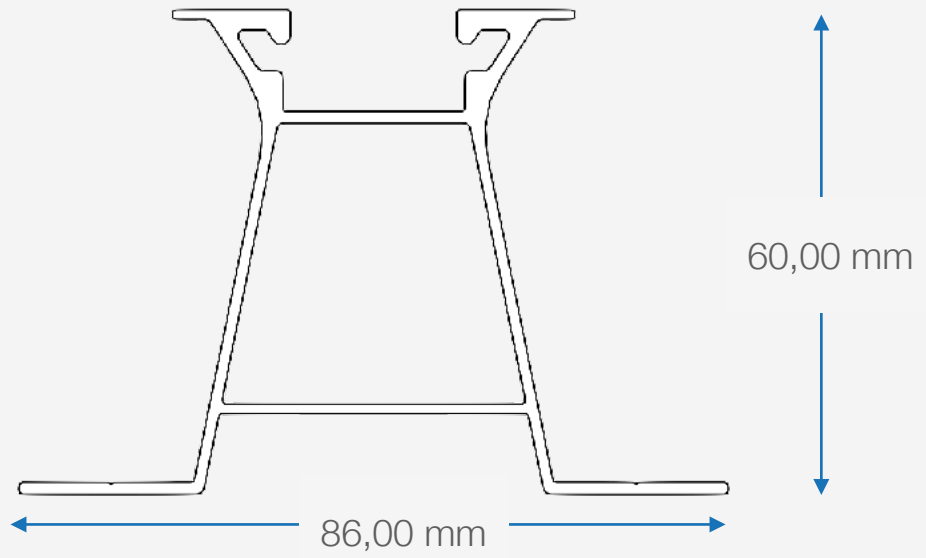
ISOTRAP S-H	
Scope of application	Pitched roofs with trapezoidal sheet metal or sandwich panels
Compatible Solar Panel	L: 640mm - 1960mm W: 990mm-1010mm H: 30mm - 45mm
Fixation	Self drilling screw or rivet
Dimensions	W:78mm-H:23/60/85mm-L:290, 385, 540 mm
Material	Profile and clamps : Aluminium 6063-T66 Support : Aluminium 6063-T66 : EPDM Fasteners : Stainless A2-70
Module Orientation	Landscape and Portrait

ISOTRAP S

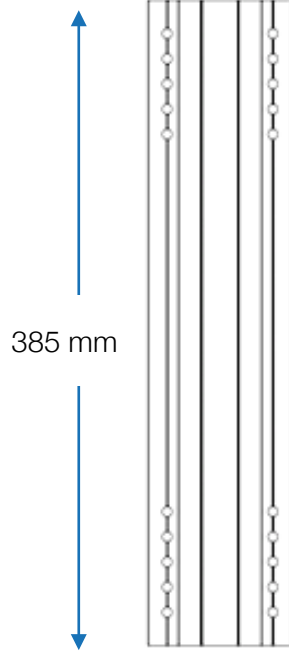


Dimensions

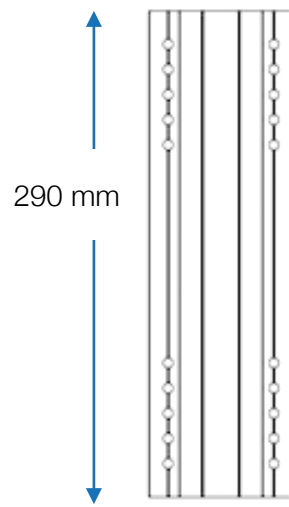
ISOTRAP S60



Item No: 5906



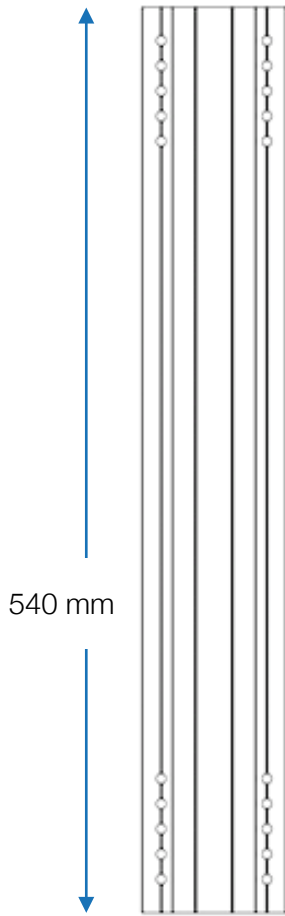
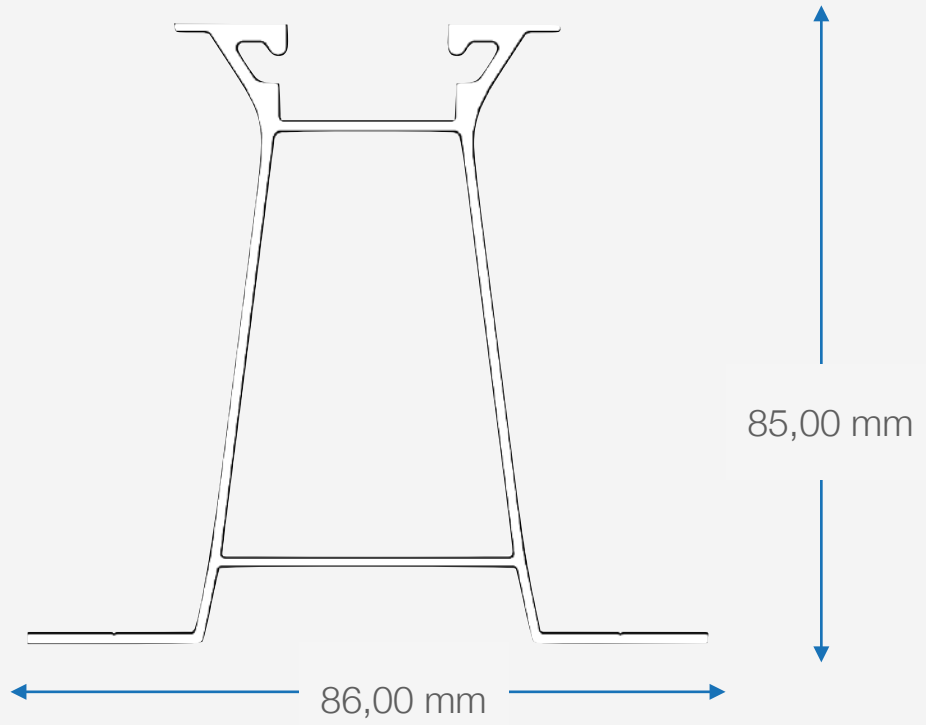
Item No: 6065



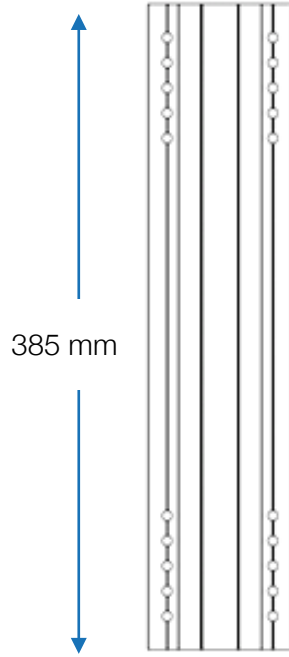
Item No: 6063

Dimensions

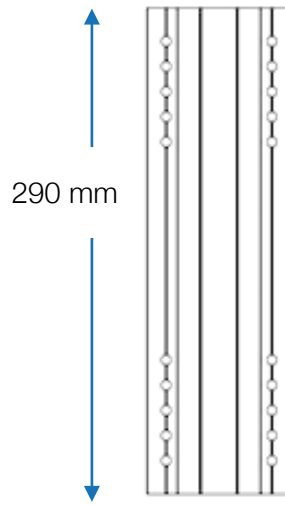
ISOTRAP S85



Item No: 6112



Item No: 6111



Item No: 6110