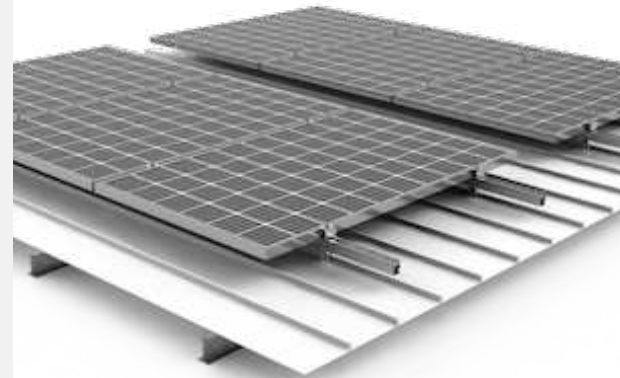


Standing / round seam roof



Maximum Strength

- ▶ ISOKEN system is a solution for standing seam roofs
- ▶ It is applied with seam clamps directly to the seam
- ▶ There are several clamps to fit different seams types
- ▶ This system is used with ISOBEAM profile

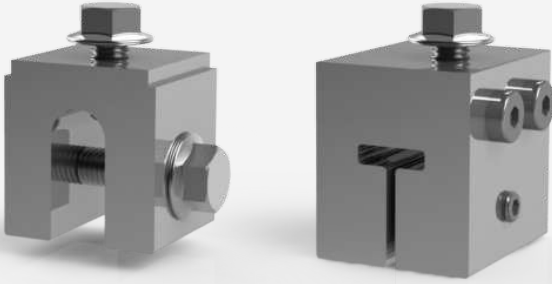


ISOKEN



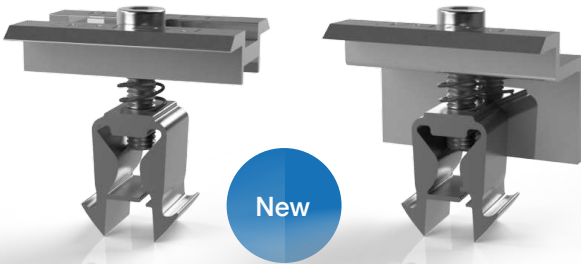
ISOBEAM V.1.3

- ▶ ISOBEAM profile is used in layouts where lateral connection is needed
- ▶ Compatible with EasyClamps



ISOKEN Standing seam Clamp

- ▶ Clamp for standing seam roofs are suitable for standing seams and round seams
- ▶ Can use Landscape and Portrait



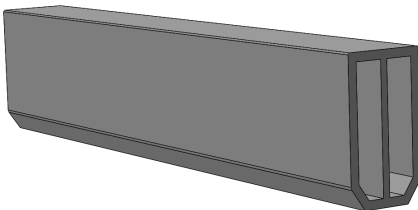
EasyClamp V1 Middle + End Clamp

- ▶ Delivered in set with integrated nut and spring. Can reduce pv module installation time up to 15%
- ▶ Compatible with all Isotec profiles. Universal clamps work with framed pv modules between 35 - 45 mm height.



BUP

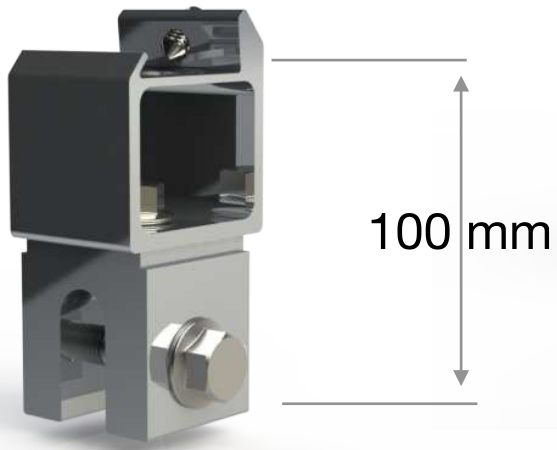
- ▶ This part is used to connect ISOBEAM profile to the Standing seam Clamp
- ▶ Profile height can be adjusted up to 50mm



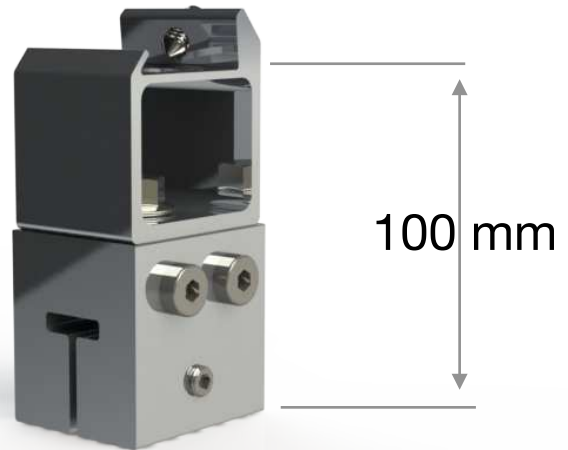
Beam Connector

- ▶ This part is used to extend ISOBEAM profiler

ISOKEN

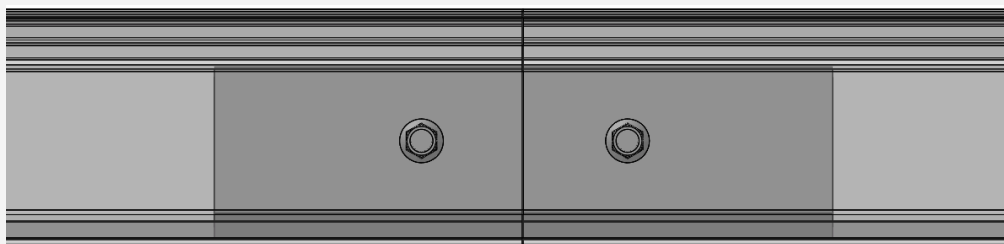
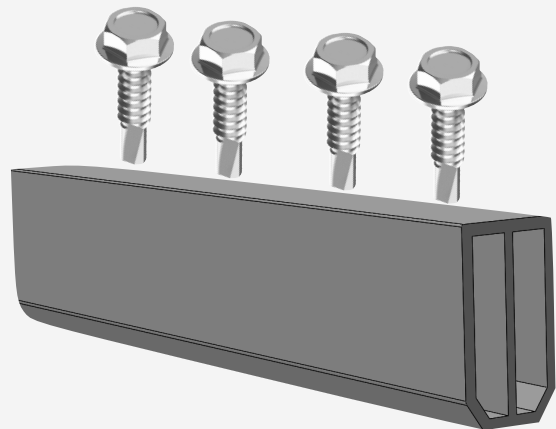
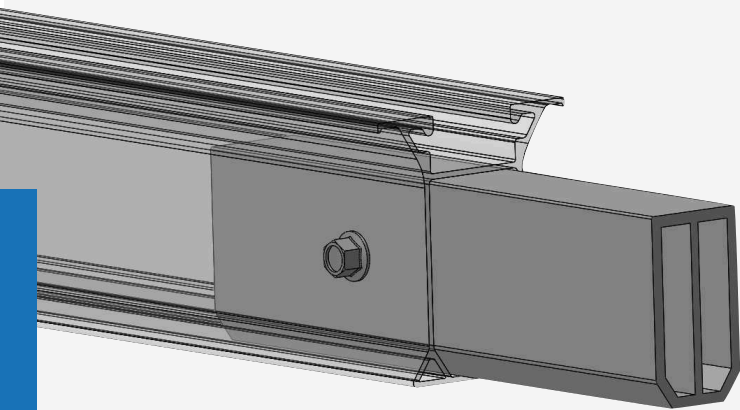


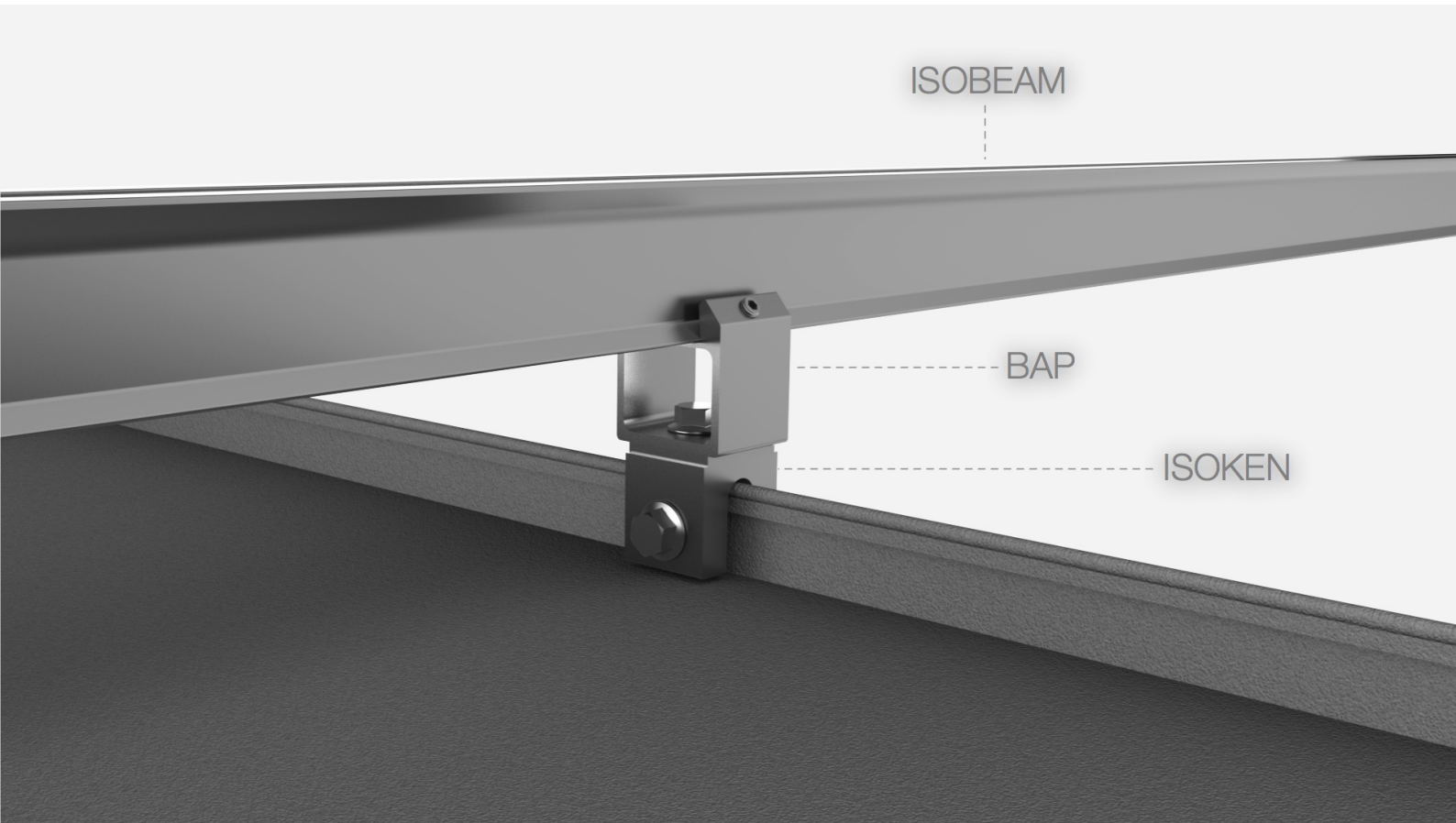
1



2

Connections

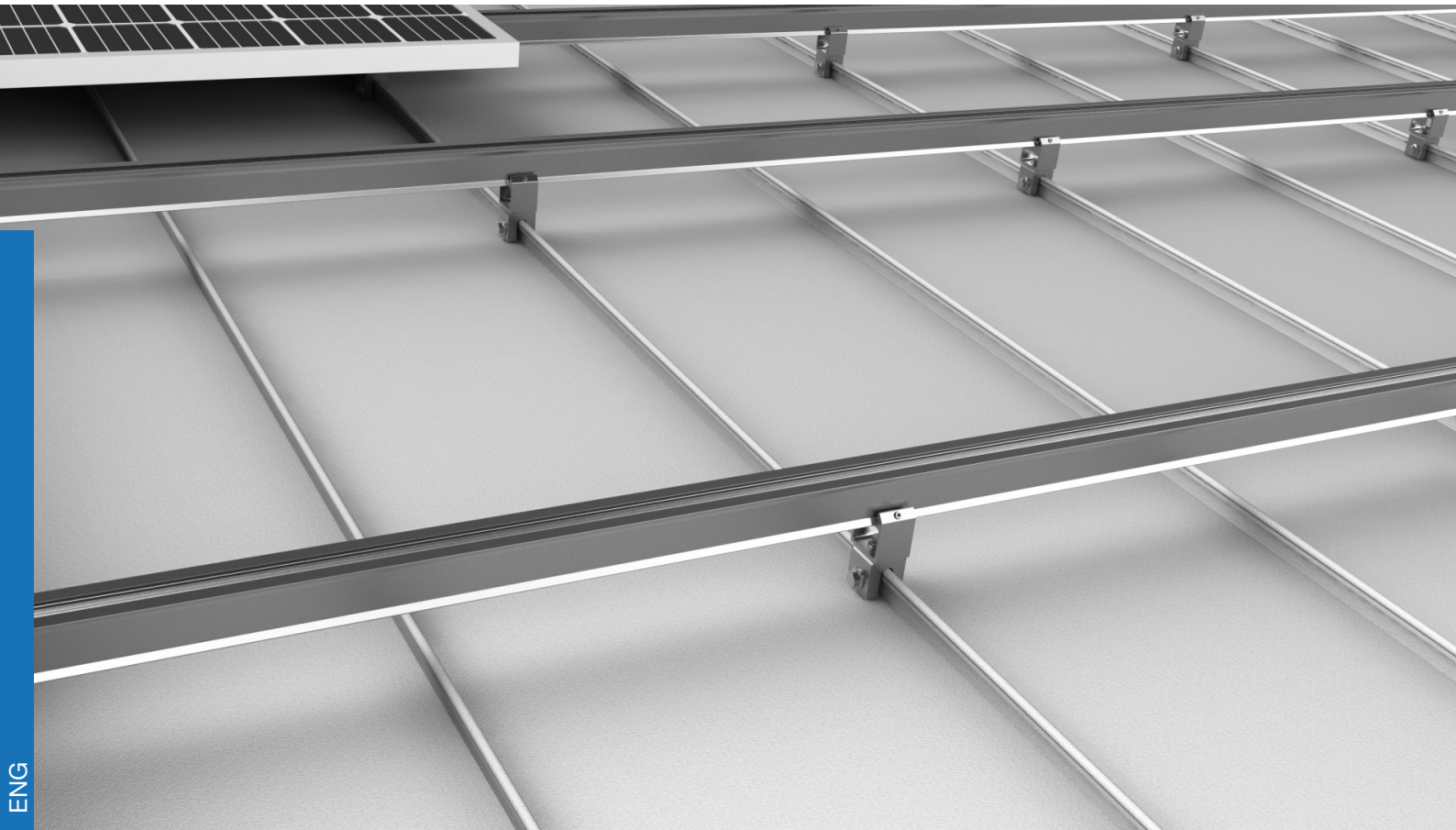
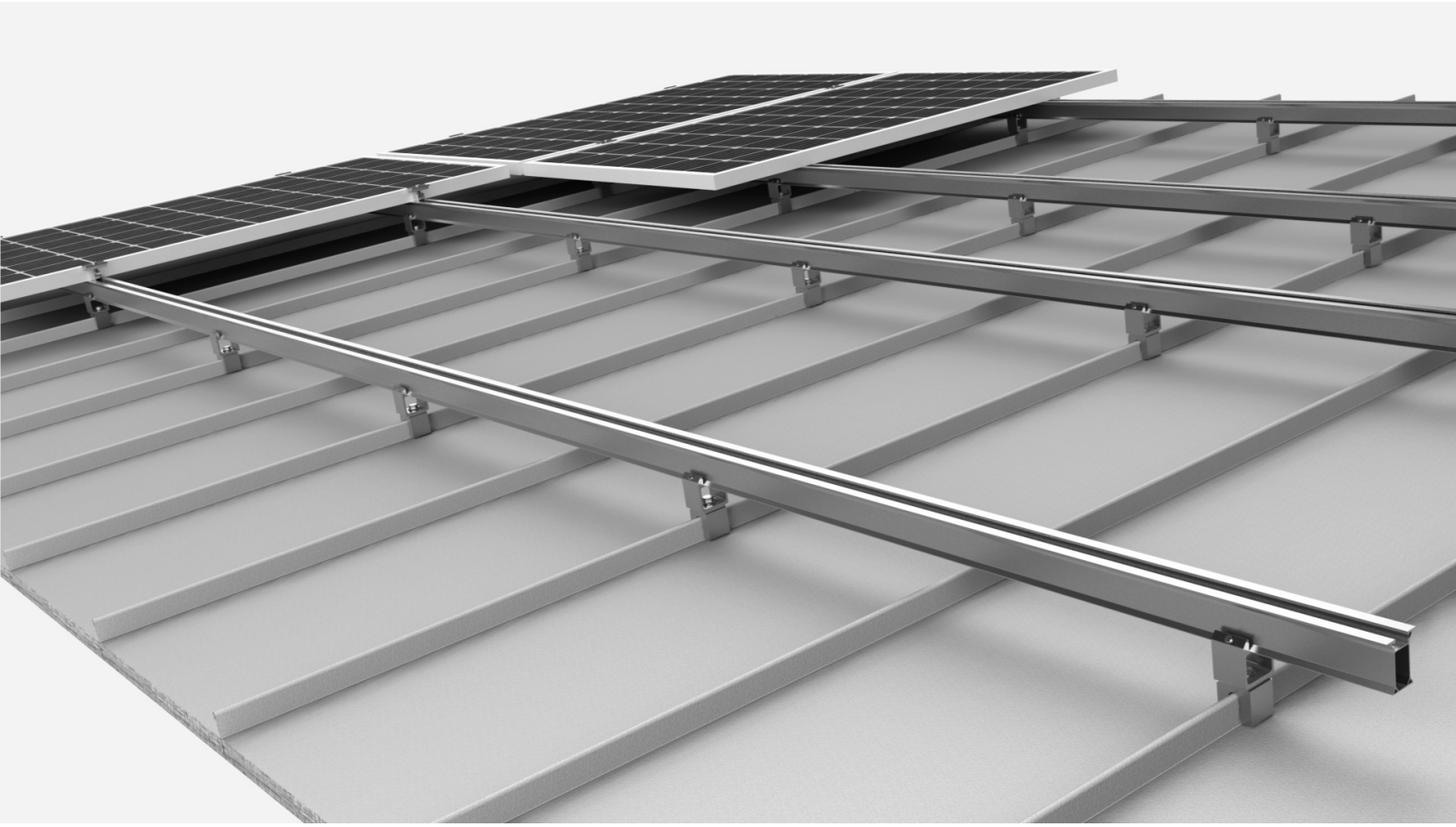




Technical Data

ISOKEN	
Scope of application	Standing seam roofs and round seams
Compatible Solar Panel	L: 640mm - 1960mm W: 990mm-1010mm H: 30mm - 45mm
Fixation	Clamping, bolt
Dimensions	W: 45mm - H: 41mm
Material	Profile and clamps : Aluminium 6063-T66 Support : EPDM Fasteners : Stainless A2-70
Purlin span	Max. 1550 mm

Photos



ENG



+90 216 693 23 49

www.isotec.com.tr

06/2019

ISOTEC Enerji San. ve Tic. Ltd. Őti.

Çengeldere - Beykoz - İstanbul

Tel.: 0216 693 23 49

Mail: teklif@isotec.com.tr

Web: www.isotec.com.tr

