

DIAMOND

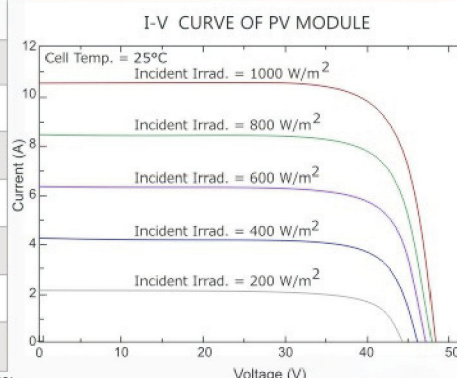
PV MODULES WITH X-FACTOR

375-400W MONO PERC CRYSTALLINE - 72 CELL



ELECTRICAL PARAMETERS AT STC

Model	ALP 375WM	ALP 380WM	ALP 385WM	ALP 390WM	ALP 395WM	ALP 400WM
Peak Power [Pmax(Wp)] (0 ~ +4.99 Wp)	375	380	385	390	395	400
Max. Power Voltage (Vmp) [V]	38.71	38.99	39.22	39.49	39.71	39.95
Max. Power Current (Imp) [A]	9.69	9.75	9.82	9.88	9.95	10.02
Open Circuit Voltage (Voc) [V]	47.40	47.54	47.76	47.97	48.19	48.55
Short Circuit Current (Isc) [A]	10.28	10.33	10.38	10.42	10.48	10.55
Module Efficiency (%)	18.86	19.11	19.36	19.61	19.86	20.12
Maximum System Voltage (V DC)	1500	1500	1500	1500	1500	1500

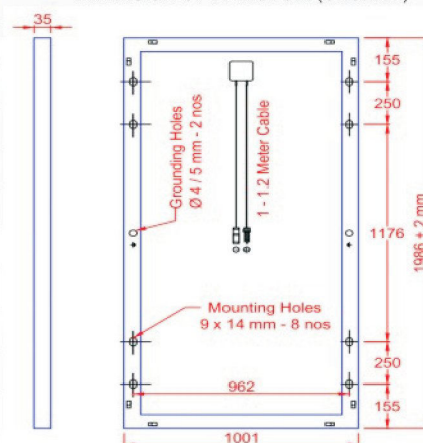


* STC: Irradiance 1000W/m², Cell Temperature 25°C, AM1.5. All other parameters have a tolerance of +/-5%, Measurement Uncertainty +/-3%

MECHANICAL SPECIFICATIONS

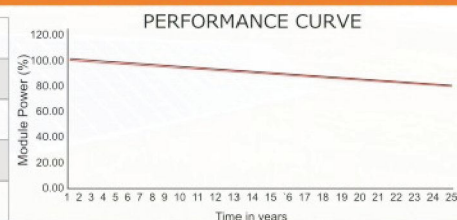
Dimensions (L x W x H)	1986 mm x 1001 mm x 35 mm
Weight	21.3 Kgs
Junction Box	IP 67/68 Rated with 3 Bypass Diodes
Cable & Connectors	4.0 mm ² , Length - 1000/1200 mm (MC4 Compatible)
Application Class	Class A (Safety Class II)
Superstrate	High Transmission, AR Coated Tempered Glass
Solar Cells	Mono PERC Crystalline - 72 pcs
Cell Encapsulation	EVA (Ethylene Vinyl Acetate)
Back Sheet	Multilayered Back Sheet
Frame	Anodized Aluminium Frame
Mechanical Load Test	5400 Pa (Snow Load), 2400 Pa (Wind Load)
Max. Series Fuses Rating	15A

DIMENSION OF PV MODULE (Unit : mm)



TEMPERATURE COEFFICIENTS (TC) AND PERMISSIBLE OPERATING CONDITIONS

NOCT	45°C ±2°C
Coefficient of Power (Pmax)	-0.30%/°C
Coefficient of Voltage (Voc)	-0.24%/°C
Coefficient of Current (Isc)	0.07%/°C
Temperature Range	-40°C To +85°C



WARRANTY AND CERTIFICATIONS

Performance*	Power output of 90% at the end of 10 Years and 80% at the end 25 Years
Approvals and Certificates	IEC 61215 Ed2, IEC 61730, IEC 61701, IEC 62716, IEC 62804, UL 61730, BIS

* Refer to Alpex Modules Warranty Document

PACKAGING CONFIGURATION

Container Size	40' HC	Domestic Options
Modules per Pallet	31 Pieces	27/30/31 Pieces
Modules per Container	682 Pieces (22 Pallets)	

Alpex Solar Private Limited (ISO 9001:2015, ISO 14001:2015 & ISO 45001:2018 Certified Company)

Head Office / Sales Office :

B-79, Shivalik Enclave, Near Malviya Nagar,

New Delhi – 110017 (India)

Tel : +91 11 42576121

Factory :

Plot No.-I-25 & I-26, Site-5, Surajpur

Industrial Area, Kasna, Greater Noida – 201306,

District: Gautam Budh Nagar, Uttar Pradesh, (India)

Toll Free: 1800 11 2573

Email: info@alpexonline.com

Website: www.alpexsolar.com

Delhi | Jaipur | Kolkata | Ludhiana | Mumbai | Patna | Tirupur | Seoul | Sydney