



# HLS-Micro Inverter Series/

Rated Power 300-1600 W

Grid Type 120&230V



High density  
waterproof function



Supercapacitor  
10000H



Maximum power  
point tracking



Multiple units  
stacked in parallel

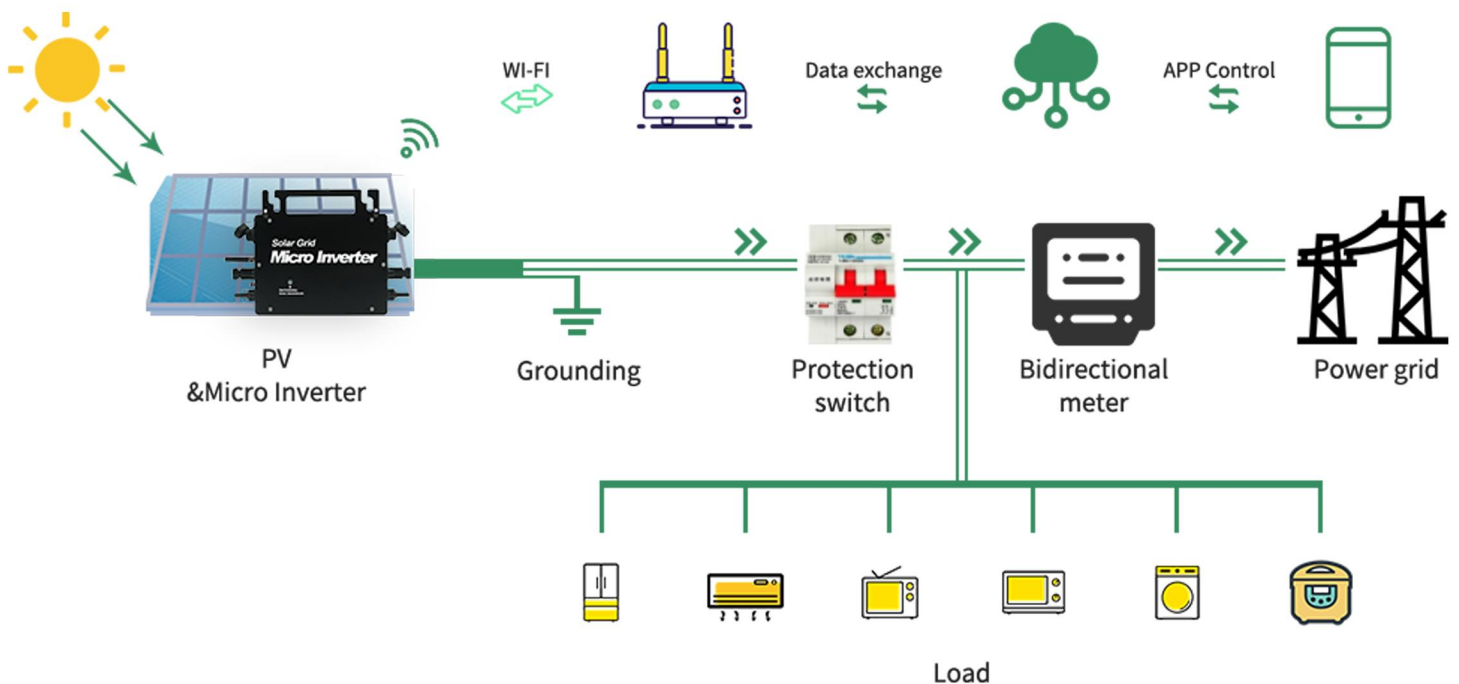
# HLS-Micro Inverter Series/

## Introduction of Micro Inverter

The traditional photovoltaic inverter method is to convert all photovoltaic cells. The direct current generated under sunlight is all connected in series and parallel, and then through an inverter to convert the direct current into alternating current into the grid; the micro inverter inverts each component. That the advantage is that each component can be independently controlled by MPPT, can greatly improve overall efficiency while avoiding centralization inverter has DC high voltage, weak light effect, hot spot effect.



## Application



Hunan Hylless New Energy Technology Co., Ltd.

+86 177 7310 0393    sales@hylless.com    www.hylless.com

Qingzhu Road, Kaifu District, Changsha City, Hunan Province, China



# HLS-GT-300/350/400 /

## Input Data (DC,PV)

Number of Input MC4 Connector	1 set
MPPT Voltage Range	16-48V
Operation Voltage Range	20-50V
Maximum Input Voltage	50V
Startup Voltage	22V
Max. Input Power	300/350/400W
Maximum input Current	12/14/16A

## Output Data(AC)

Single-Phase Grid Type	120V&230V
Rated Output Power	300/350/400W
Max. Output Power	300/350/400W
Nominal Output Current	@120VAC:2.5A @230VAC:1.3A @120VAC:2.9A @230VAC:1.5A @120VAC:3.3A @230VAC:1.7A
Nominal Output Voltage	120VAC/230VAC
Default Output Voltage Range	@120VAC:80V-160V @230VAC:180V-270v
Nominal Output Frequency	50Hz/ 60Hz
Power Factor	>0.99%
Total Harmonic Distortion	THD <5%
Max.Units per Branch	@120VAC:5units @230VAC: 10units

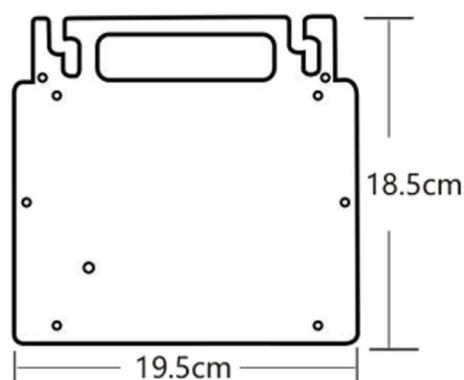
## Efficiency

Peak Efficiency	95%
Nominal MPPT Efficiency	99.5%
Night Power Consumption	<1w

## Mechanical Data

Temperature Range	-40~+65°C
Dimensions(W*H*D)	240/185/45 mm
Weight	1.6kg
Max Current of AC Bus Cable	20A
IP	IP66
Cooling Mode	Natural Convection- No Fans
Communication	WIFI(Cloud monitoring)
Transformer Design	High Frequency Transformers, Galvanically Isolated
Protection Functions	Isolated Island Protection, Voltage Protection, Frequency Protection, Temperature Protection, Current Protection, etc.
Design Compliance	EN IEC61000-3-2:2019+A1:2021, EN 61000-3-3:2013 +A1:2019+A2:2021, EN IEC55014-2:2021, EN IEC55014-2:2021.

## Product Design



Hunan Hyliess New Energy Technology Co., Ltd.

+86 177 7310 0393    sales@hyliess.com    www.hyliess.com

Qingzhu Road, Kaifu District, Changsha City, Hunan Province, China



# HLS-GT-600/700/800 /

## Input Data (DC,PV)

Number of Input MC4 Connector	2 set
MPPT Voltage Range	22-48V
Operation Voltage Range	20-50V
Maximum Input Voltage	50V
Startup Voltage	22V
Max. Input Power	600/700/800W
Maximum input Current	12*2/14*2/16*2A

## Output Data(AC)

Single-Phase Grid Type	120V&230V
Rated Output Power	600/700/800W
Max. Output Power	600/700/800W
Nominal Output Current	@120VAC:5A @230VAC:2.6A @120VAC:5.8A @230VAC:3A @120VAC:6.6A @230VAC:3.4A
Nominal Output Voltage	120VAC/230VAC
Default Output Voltage Range	@120VAC:80V-160V @230VAC:180V-270v
Nominal Output Frequency	50Hz/ 60Hz
Power Factor	>0.99%
Total Harmonic Distortion	THD <5%
Max.Units per Branch	@120VAC:3 units @230VAC:6 units

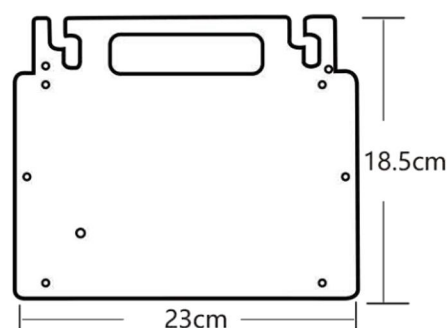
## Efficiency

Peak Efficiency	95%
Nominal MPPT Efficiency	99.5%
Night Power Consumption	<1w

## Mechanical Data

Temperature Range	-40~+65°C
Dimensions(W*H*D)	310/185/45 mm
Weight	2kg
Max Current of AC Bus Cable	20A
IP	IP66
Cooling Mode	Natural Convection- No Fans
Communication	WIFI(Cloud monitoring)
Transformer Design	High Frequency Transformers, Galvanically Isolated
Protection Functions	Isolated Island Protection, Voltage Protection, Frequency Protection, Temperature Protection, Current Protection, etc.
Design Compliance	EN IEC61000-3-2:2019+A1:2021, EN 61000-3-3:2013 +A1:2019+A2:2021, EN IEC55014-2:2021, EN IEC55014-2:2021, VDE-AR-N 4105, VDE V 0124-100.

## Product Design



Hunan Hylless New Energy Technology Co., Ltd.

+86 177 7310 0393 sales@hylless.com www.hylless.com

Qingzhu Road, Kaifu District, Changsha City, Hunan Province, China



# HLS-GT-1200/1400/1600 /

## Input Data (DC,PV)

Number of Input MC4 Connector	4 set
MPPT Voltage Range	22-48V
Operation Voltage Range	20-50V
Maximum Input Voltage	50V
Startup Voltage	22V
Max. Input Power	1200/1400/1600W
Maximum input Current	12*4/14*4/16*4A

## Output Data(AC)

Single-Phase Grid Type	120V&230V
Rated Output Power	1200/1400/1600W
Max. Output Power	1200/1400/1600W
Nominal Output Current	@120VAC:10A @230VAC:5.2A @120VAC:11.6A @230VAC:6A @120VAC:13A @230VAC:6.9A
Nominal Output Voltage	120VAC/230VAC
Default Output Voltage Range	@120VAC:80V-160V @230VAC:180V-270v
Nominal Output Frequency	50Hz/ 60Hz
Power Factor	>0.99%
Total Harmonic Distortion	THD <5%
Max.Units per Branch	@120VAC:2units @230VAC: 3units

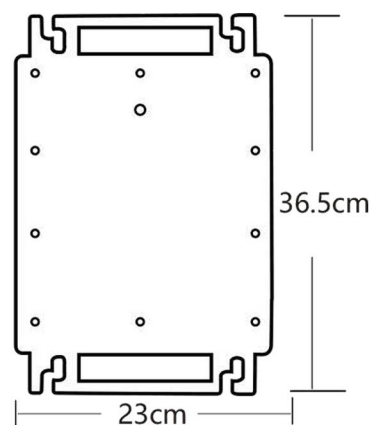
## Efficiency

Peak Efficiency	95%
Nominal MPPT Efficiency	99.5%
Night Power Consumption	<1w

## Mechanical Data

Temperature Range	-40~+65°C
Dimensions(W*H*D)	230/365/45 mm
Weight	3.5kg
Max Current of AC Bus Cable	30A
IP	IP66
Cooling Mode	Natural Convection- No Fans
Communication	WIFI(Cloud monitoring)
Transformer Design	High Frequency Transformers, Galvanically Isolated
Protection Functions	Isolated Island Protection, Voltage Protection, Frequency Protection, Temperature Protection, Current Protection, etc.
Design Compliance	EN IEC61000-3-2:2019+A1:2021, EN 61000-3-3:2013 +A1:2019+A2:2021, EN IEC55014-2:2021, EN IEC55014-2:2021.

## Product Design



Hunan Hylless New Energy Technology Co., Ltd.

+86 177 7310 0393 sales@hylless.com www.hylless.com

Qingzhu Road, Kaifu District, Changsha City, Hunan Province, China

