



ANKARA[®]
SOLAR

MADE IN TURKIYE

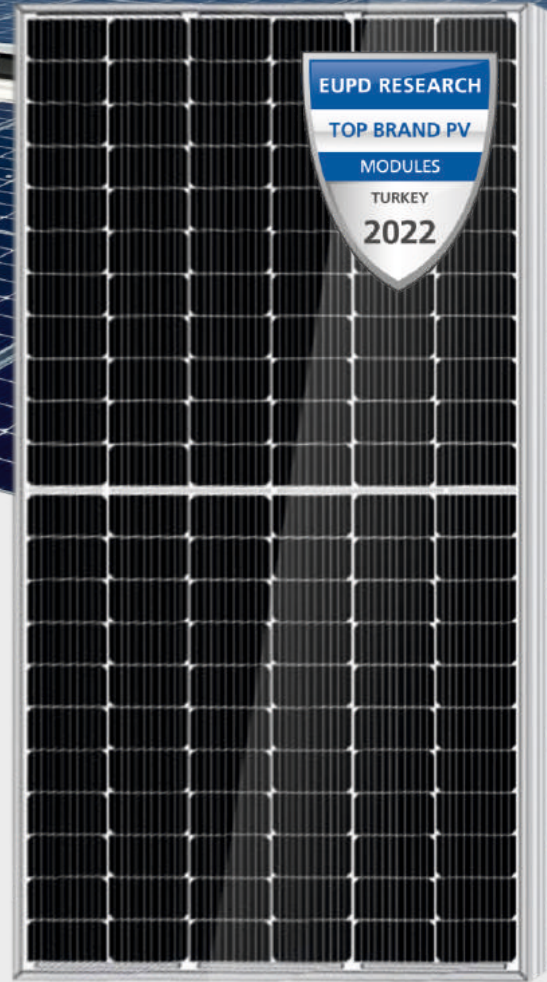
HIGH TECHNOLOGY
SOLAR MODULES

MBB

HALF-CELL MONO
PV MODULE

AS - MQ7

485W - 510W



HIGH EFFICIENCY MONOCRYSTALLINE SOLAR MODULES WITH HALF CELL TECHNOLOGY

0+5

Positive power tolerance (0+5W) guaranteed



High performance under low light.
Works at cloudy, rainy days



The monolithic perc cell structure technology (low resistance characteristics) is adopted (the maximum conversion efficiency of modules is up to 21.41%)



EXTREME WEATHER RATING. High-tech aluminium alloy frame, certified for high snow (5400 Pa) and wind loads (2400 Pa)



Reduced resistance between cells Less micro cracks, higher output power



SUPER STRONG FRAME. The overflow tank is waterproof with double layers. Aluminum frame enhances the mechanical load strength by 21.47%



ISO
9001:2015
CERTIFIED



IEC61215 | IEC61730 | IEC61701 | IEC62716 | IEC62804 PID Free
ISO 9001 | ISO 14001 | ISO 45001 | OHSAS 18001 | CE

WWW.ANKARASOLAR.COM.TR

AS - MQ7 485 - 510W

MBB HALF-CELL MONOCRYSTALLINE PV SOLAR MODULE

ELECTRICAL PARAMETERS AT STC

Maximum Power (Pmax)	485W	490W	495W	500W	505W	510W
Open Circuit Voltage (Voc)	44.6V	44.8V	45.00V	45.2V	45.4V	45.6V
Short Circuit Current (Isc)	13.68A	13.70A	13.76A	13.82A	13.88A	13.94A
Voltage at Maximum Power (Vmp)	37.1V	30.73V	37.5V	37.7V	37.9V	38.1V
Current at Maximum Current (Imp)	13.67A	13.14A	13.20A	13.27A	13.32A	13.39A
Module Efficiency (%)	20.42%	20.6%	20.8%	21.00%	21.3%	21.47%
Power Tolerance (W)	0 ~ +5					

STC: Irradiance 1000W/m² Cell Temperature 25 Cair MassAM 1.5 *Measuringtolerance: ±3%.

ELECTRICAL PARAMETERS AT NMOT

Maximum Power (Pmax)	357W	360W	364W	368W	372W	375W
Open Circuit Voltage (Voc)	41.7V	41.9V	42.1V	42.3V	42.5V	42.7V
Short Circuit Current (Isc)	11.02A	11.07A	11.12A	11.17A	11.22A	11.27A
Voltage at Maximum Power (Vmp)	34.6V	34.8V	35.0V	35.2V	38.4V	35.6V
Voltage at Maximum Current (Imp)	10.32A	10.35A	10.40A	10.45A	10.51A	10.53A

NOCT: Irradiance 800W/m², Ambient temperature 20° C, Wind Speed 1m/s

SPECIFICATIONS

Weight	26kg
Dimensions	2094x1134x35mm
Cell Dimensions	Monocrystalline PERC 182*91mm
Cell Amount	132 pcs
Glass	3.2mm, High Transmission, AR Coated Heat Strengthened Glass
Junction Box	Ip68 rated
Frame	35 mm Anodized Aluminium Alloy
Cable	Photovoltaic Technology Cable 4.0mm2 Portrait: N 300mm/P 300mm Lenght can be customized
Encapsulant Material	EVA
Backsheet	White

TEMPERATURE CHARACTERISTICS

Nominal Operating Cell Temperature (NOCT)	43° C±2° C
Temperature Coefficients of Pmax	-0.34%/° C
Temperature Coefficients of Voc	-0.25%/° C
Temperature Coefficients of Isc	0.04%/° C

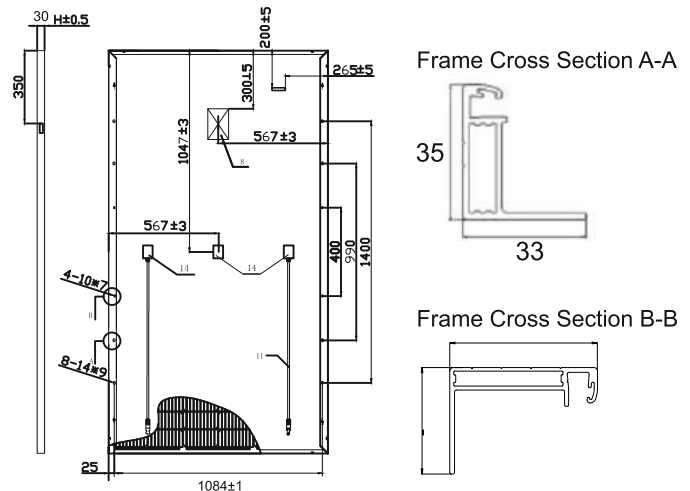
PACKAGING CONFIGURATION

Standard packaging	36 pcs/pallet
Module quantity per 40' container	792 PCS

MAXIMUM RATING

Operating Temperature	-40~+85° C
Maximum System Voltage	1500V DC
Max Series Fuse Rating	20A

ENGINEERING DRAWINGS



WARRANTY

12 YEARS
PRODUCT WARRANTY

30 YEARS
POWER WARRANTY

IV CURVES

