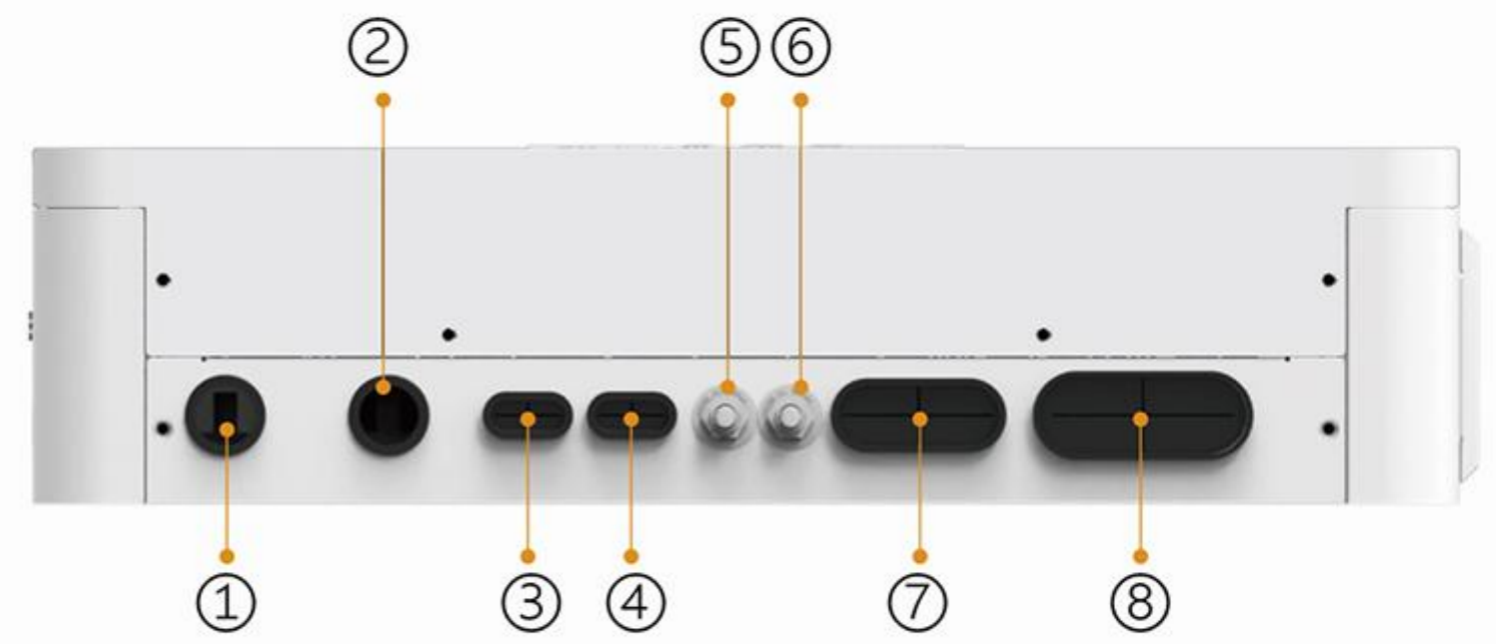


# 2. Inverter series



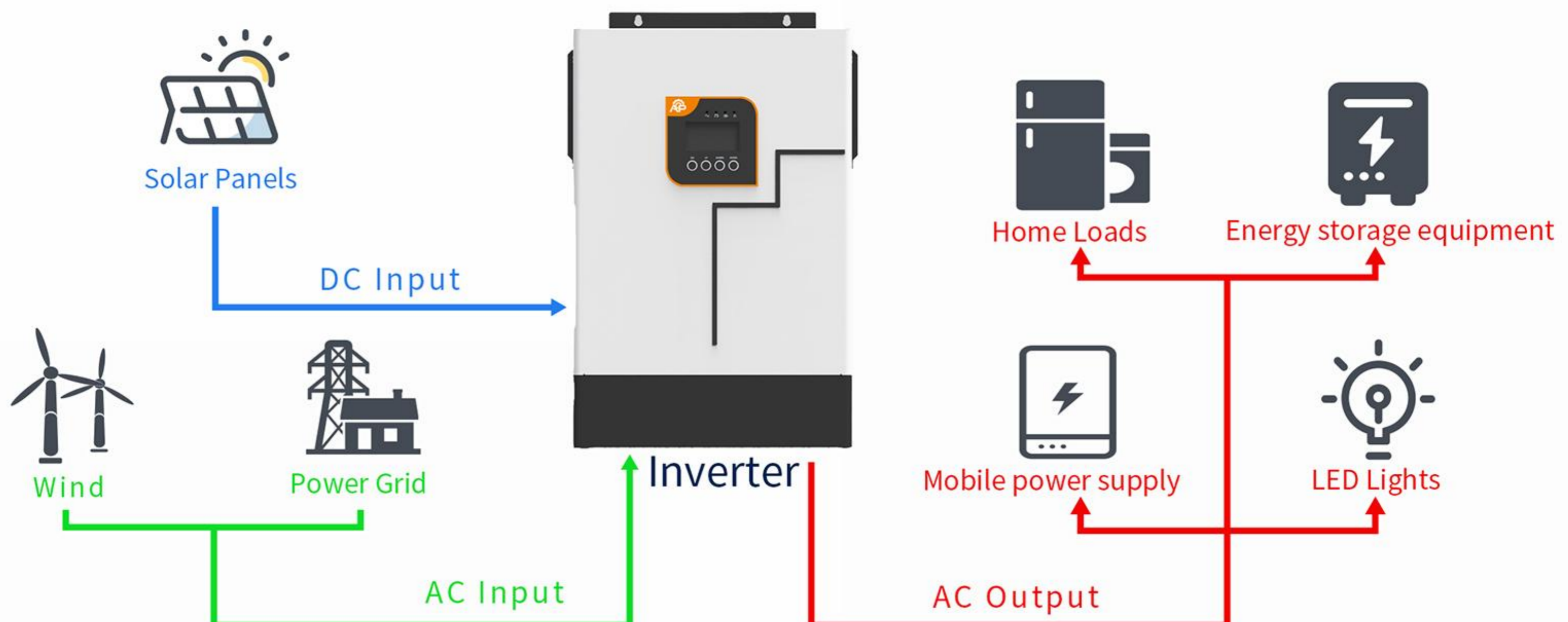
## ALP Series Solar Inverter

- Generator Compatible
- WiFi Monitoring
- Built in MPPT
- Parallel Operation
- Pure sine wave
- 98% High efficiency
- Rechargeable lithium & VRLA Batteries
- ECO



- ① — BAT+
- ② — BAT-
- ③ — PV1
- ④ — PV2
- ⑤ — Breaker1
- ⑥ — Breaker2
- ⑦ — AC Input
- ⑧ — AC Output(Group1/2)
- ⑨ — RS485
- ⑩ — Dry contact
- ⑪ — USB Communication
- ⑫ — Wi-Fi Communication

## Solar System Connection





# 2. Inverter series



MODEL	AP-220	AP-221	AP-226	AP-228
Nominal Battery System Voltage	24V	24V	48V	48V
Parallel Capability	No		Yes (optional), up to 9 units	
Operation Without Battery			Yes	
<b>SOLAR CHARGER &amp; AC CHARGER</b>				
Max PV Array Open Circuit Voltage	80V	145V	500V	500V
PV Array Voltage Range	PWM 80±2VDC	MPPT 30~115V	MPPT 120~450V	MPPT 120~450V
Standby Power Consumption	2W			
Maximum PV Input Power	1200W	1500W	6000W	6000W*2
Maximum PV Input Current	50A	14A	18A	18A*2
Maximum Solar Charge Current	50A	60A	80A	160A
Maximum AC Charge Current	50A	60A	80A	160A
Maximum Charge Current	100A	120A	80A	160A
<b>BATTERY</b>				
Normal Voltage	24V		48V	
Floating Charge Voltage	27.4V		54.8V	
Overcharge Protection	30V		60V	
<b>AC INPUT</b>				
Voltage	208/220/230/240VAC			
Selectable Voltage Range	170~280Vac(for personal Computer) 90~280Vac (for home appliances)			
Frequency Range	50/60HZ(Auto sensing)			
<b>INVERTER OUTPUT</b>				
Rated Power	2400W	3000W	5000W	10000W
Surge Power	6000W	6000W	10000W	20000W
Wave form	Pure Sine Wave			
AC Voltage Regulation(Batt.Mode)	220V~240V ±5%			
Inverter Efficiency(Peak)	93.00%	93.50%	94%	94%
Transfer Time	10ms			
<b>MECHANICAL SPECIFICATIONS</b>				
Machine Dimensions(H*W*D)(mm)	300 *225*88	470*310*120		480*700*120
Package Dimensions(H*W*D)(mm)	300*380*170	570*400*200		590*790*200
Net Weight(kg)	3	8.2	8.45	17
Gross Weight(kg)	3.9	9.55	9.8	19.1
<b>OTHER</b>				
Humidity	5%~95%			
Operating Temperature	0°C~40°C			
Storage Temperature	-15°C~60°C			
<b>CERTIFICATION</b>				
CE	EMC		LVD	
	EN IEC 61000-6-3:2021 EN IEC 61000-3-2:2019+A1:2021 EN 61000-3-3:2013+A2:2021/EN IEC 61000-6-		EN 62109-1:2010 EN 62109-2:2011	

Product specifications are subject to change without further notice

Phone : +86-0574-87919062

Whatsapp:+8618395806782

INS: ailepu\_power

www.aileupower.com

Email:sales@aileupower.com

Address : 815, Building C4, R&D Park, No. 8, Lane 299, Guanhua Road, High tech Zone, Ningbo ,Zhejiang province

**NINGBO AILEPU ELECTRONIC TECHNOLOGY CO., LTD.**