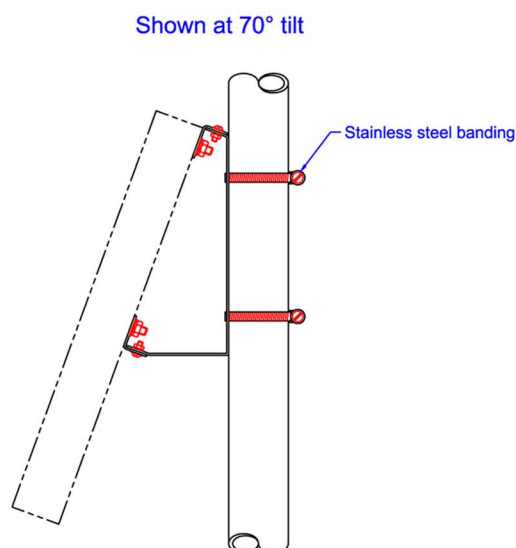
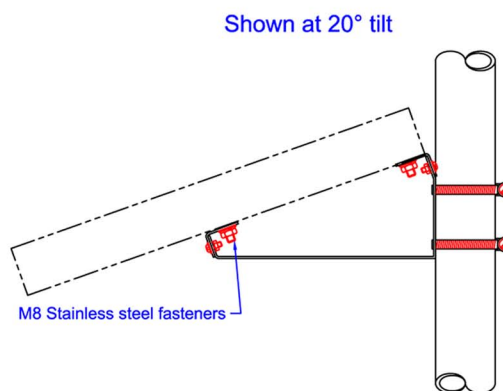
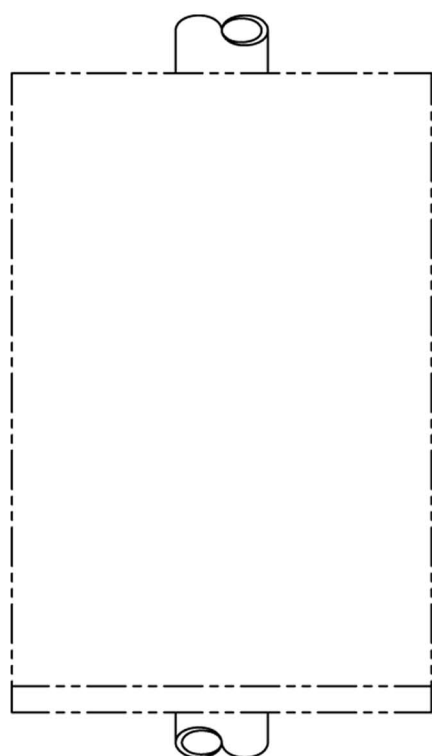


Single Module Mounting Kits

TSX-Type

A small mounting kit suitable for mounting a BPSX-5M or BPSX-10U solar module onto any suitable horizontal or vertical surface, including pole mounting. Manufactured from aluminium, this mounting kit is suitable for a variety of applications such as telecommunications, low power illumination & data logging equipment. The kit is supplied complete with all fasteners required, including adjustable banding for pole mounting that provides fixing for round poles of 33mm to 110mm diameter or onto square or rectangular poles as required.



Product Information

- Material: 6082-T6 Aluminium
- Fasteners: A4 stainless steel
- Tilt Angles: 20° or 70°
- Suitable for: Ameresco 410J and 410M