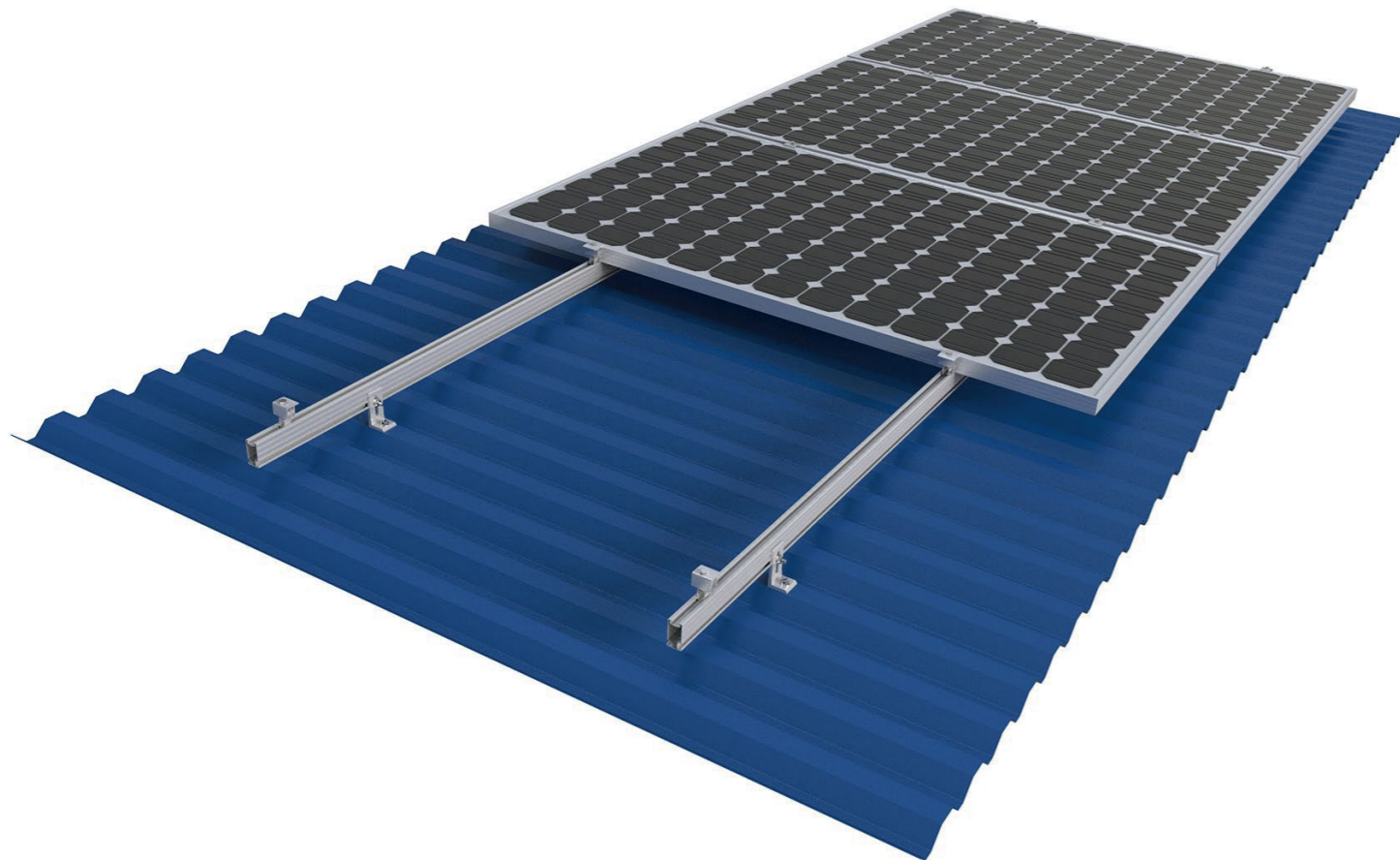


SunEvo Tin roof systems divided into two fixing methods:

1. Drilling solutions, like bracket L-feet, hanger bolt, T type hook etc.
2. Standing seam clamp, direct mounting, no damage to the roof. A design that includes major specifications saves you inventory cost, quick and easy to install. Innovative design of rail connect base-support can effectively increase the product strength, ensure the safety of the product use. SunEvo have a large variety of tin roof brackets for customers' choice. Customization allowed according to customers' need to meet special installation requirements.

Technical features:

Product name	Metal roof mounting system
Application	Metal roof
Inclination	Parallel to the roof
Material	AL 6005-T5, SUS 304, EPDM
Finish	AL 6005-T5 Anodized, SUS 304 Shot blasting
Module orientation	Landscape or Portrait



Item No. ERK-TRB-D01
Description L Feet for Corrugated or Trapezoidal Sheet Metal



Item No. ERK-TRB-D03
Description Hanger Bolt L Feet for Corrugated Fibre Cement, Corrugated or Trapezoidal Sheet Metal (M10x180, M10x200, M10x250, M10x300)



Item No. ERK-TRB-D05
Description Hanger Bolt for Corrugated Fibre Cement, Corrugated or Trapezoidal Sheet Metal (M10x180, M10x200, M10x250, M10x300)



Item No. ERK-TRB-D09
Description Asphalt Shingles Interface



Item No. ERK-TRB-D07
Description 7# Tin Roof Hook for Trapezoidal Sheet Metal



Item No. ERK-TRB-D08
Description 8# Tin Roof Hook for Trapezoidal Sheet Metal



Item No. ERK-TRB-D22
Description L Feet for Trapezoidal Sheet Metal



Item No. ERK-TRB-D06
Description 6# Tin Roof Hook for Trapezoidal Sheet Metal



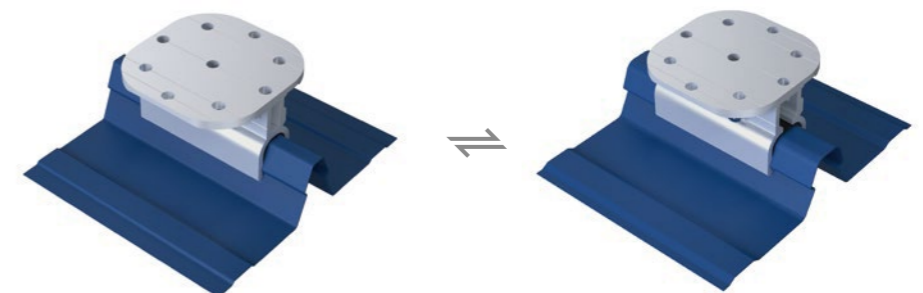
9
Item No. ERK-TRB-D21
Description 21# Tin Roof Hook for Trapezoidal Sheet Metal



10
Item No. ERK-TRB-D20
Description 65mm Mini Rail for Corrugated or Trapezoidal Sheet Metal



Item No. ERK-TRB-C02
Description Klip Lok 406 & 700 Interface



16

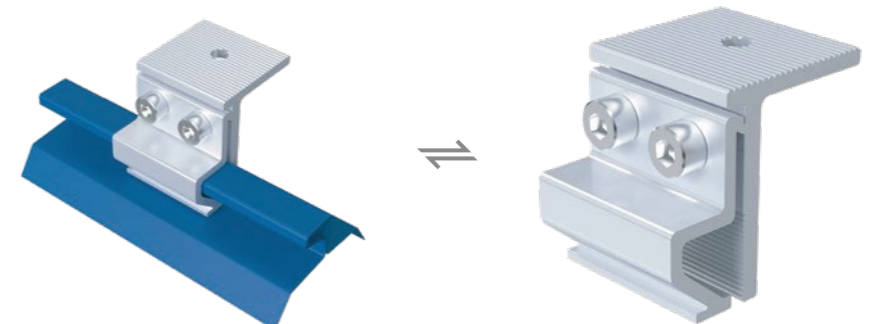
11
Item No. ERK-TRB-D13
Description 60mm Mini Rail for Corrugated or Trapezoidal Sheet Metal



12
Item No. ERK-TRB-D10
Description 26mm Mini Rail for Corrugated or Trapezoidal Sheet Metal



Item No. ERK-TRB-C04
Description Standing Seam Clamp



17

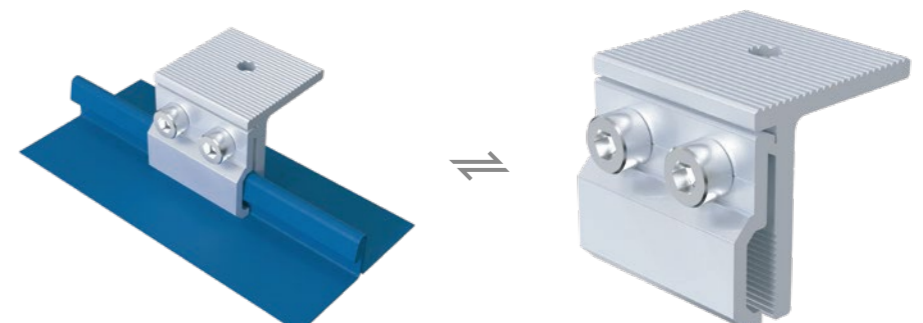
13
Item No. ERK-TRB-D11
Description 29mm U Type Rail for Corrugated or Trapezoidal Sheet Metal



14
Item No. ERK-TRB-D14
Description 46mm Mini Rail for Corrugated or Trapezoidal Sheet Metal

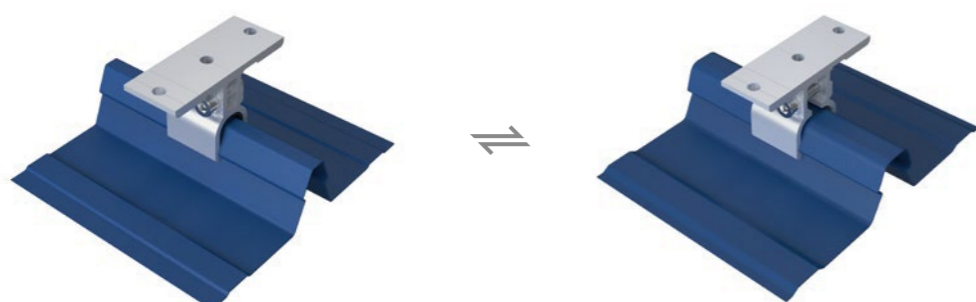


Item No. ERK-TRB-C05
Description Standing Seam Clamp

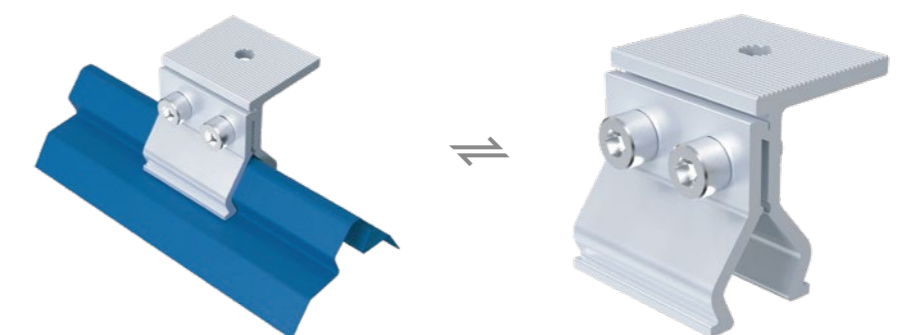


18

15
Item No. ERK-TRB-C01
Description Klip Lok 406 & 700 Interface



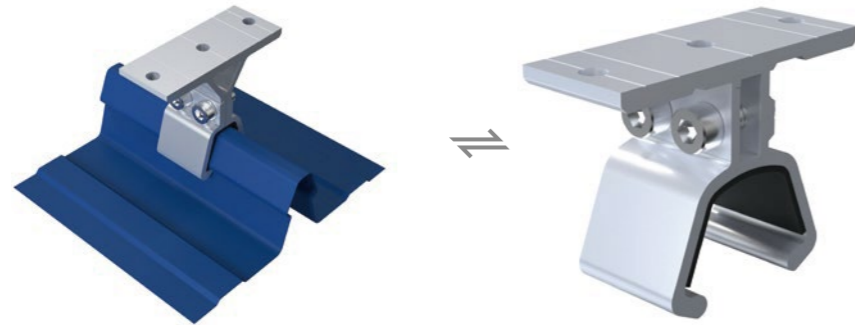
Item No. ERK-TRB-C06
Description Standing Seam Clamp



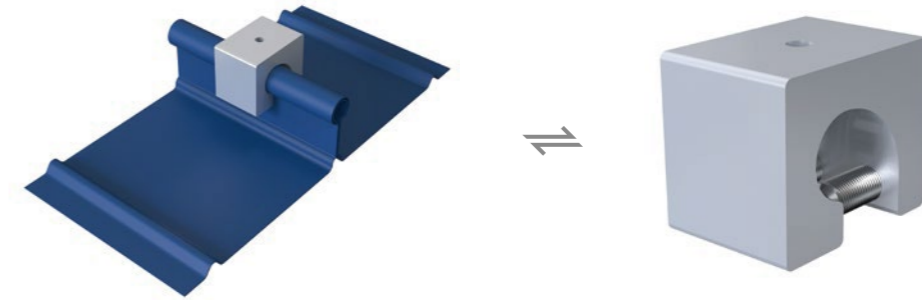
19

20

Item No. ERK-TRB-C14
Description Metdek 855 Dimondek 630 Interface



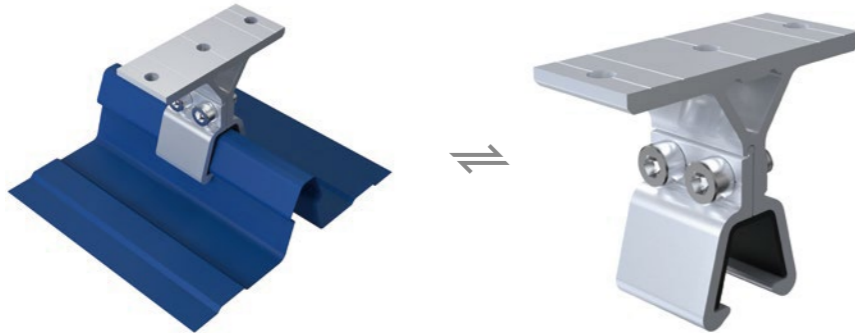
Item No. ERK-TRB-C21
Description Standing Seam Clamp



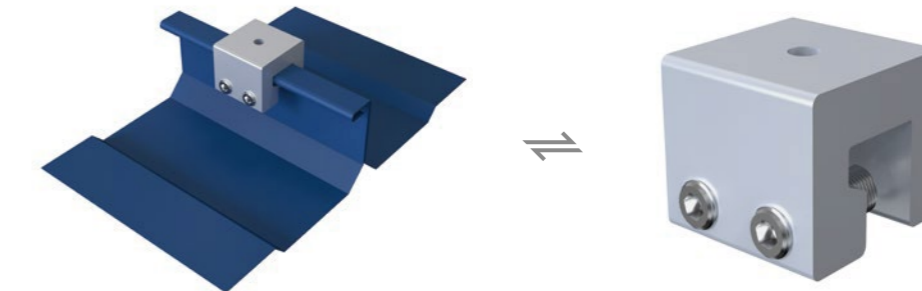
24

21

Item No. ERK-TRB-C15
Description Metdek 500 Interface



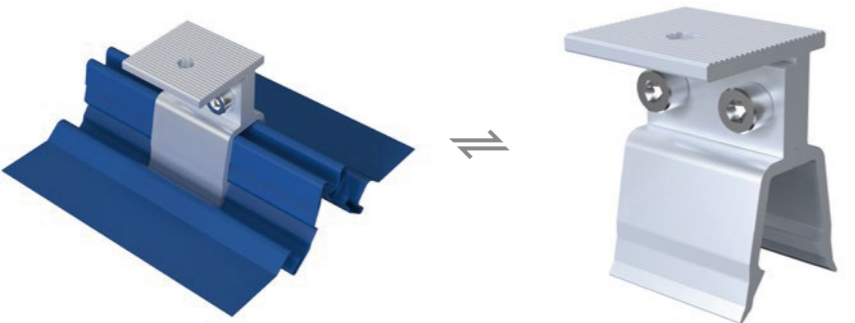
Item No. ERK-TRB-C22
Description Standing Seam Clamp



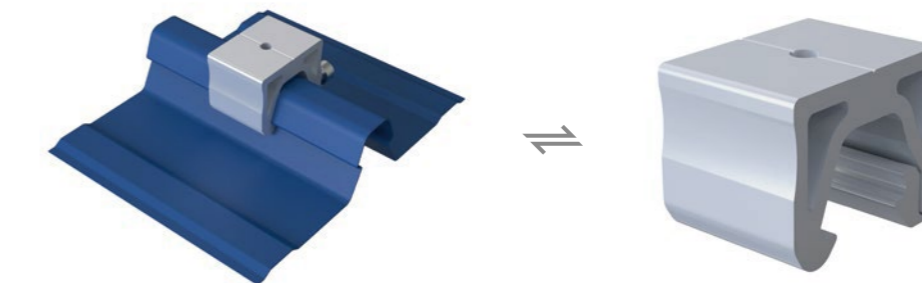
25

22

Item No. ERK-TRB-C16
Description RiverClack Roofing Profile



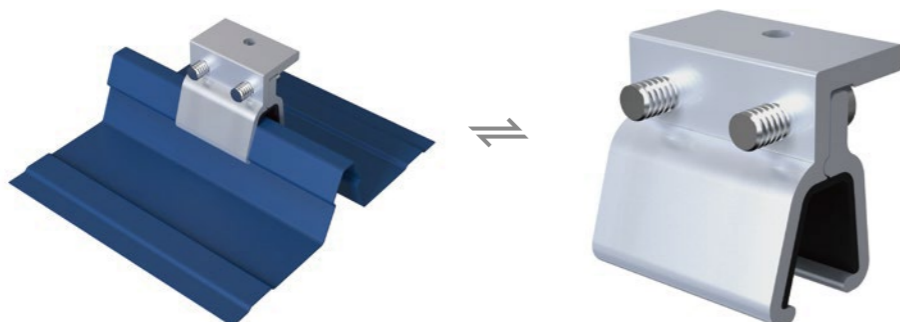
Item No. ERK-TRB-C23
Description Klip Lok 700 Interface



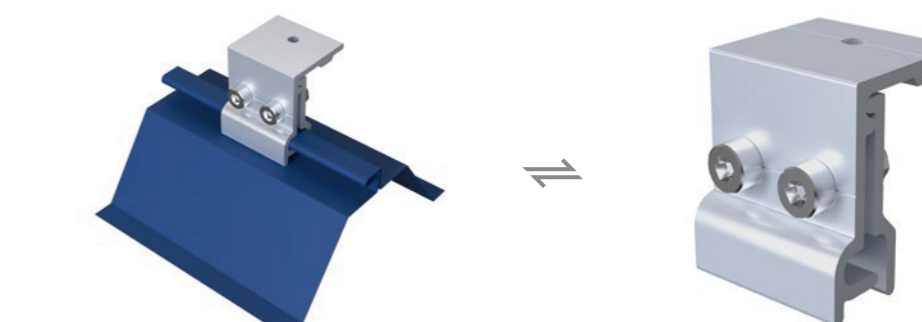
26

23

Item No. ERK-TRB-C20
Description Lysaght Klip-lok 406 Interface



Item No. ERK-TRB-C24
Description Standing Seam Clamp



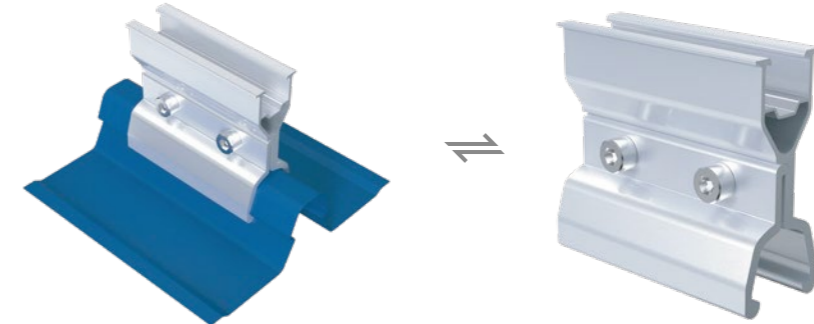
27

28

Item No. ERK-TRB-C25
Description Klip Lok 700 Interface



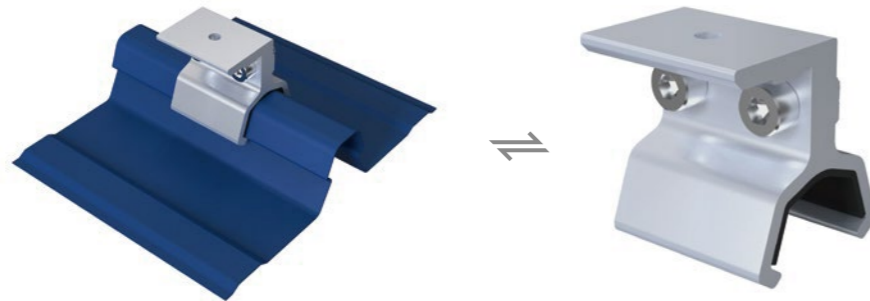
Item No. ERK-TRB-C38
Description Lysaght Klip-lok 700 Interface



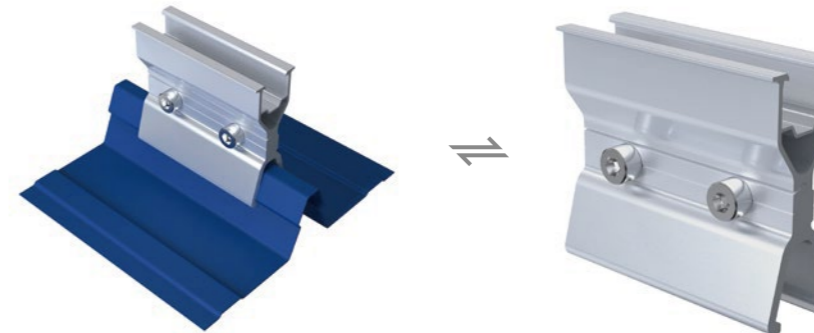
32

29

Item No. ERK-TRB-C26
Description WeatherClip II 700 Interface



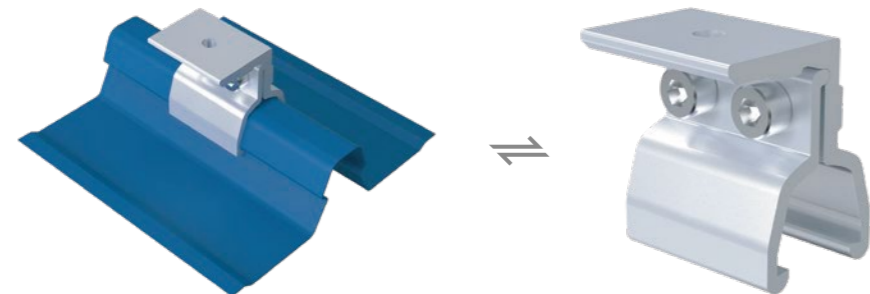
Item No. ERK-TRB-C13
Description Lysaght Klip-lok Interface



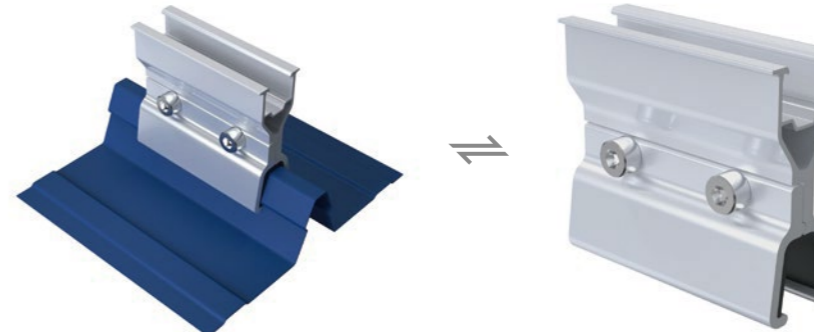
33

30

Item No. ERK-TRB-C39
Description Lysaght Klip-lok 700 Interface



Item No. ERK-TRB-C29
Description Lysaght Klip-lok 406 Interface



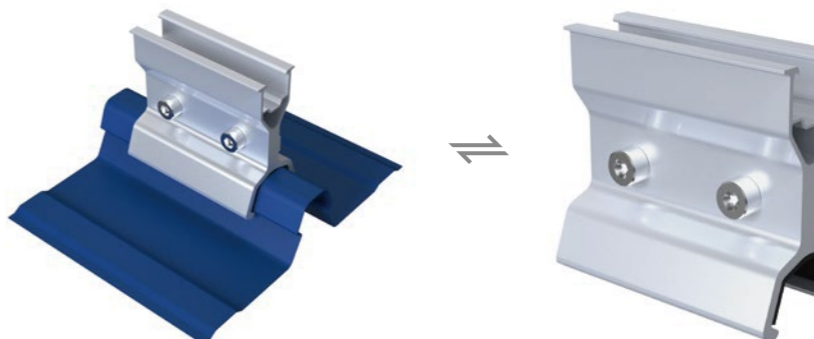
34

31

Item No. ERK-TRB-C27
Description Klip Lok 700 Interface



Item No. ERK-TRB-C30
Description WeatherClip II 700 Interface

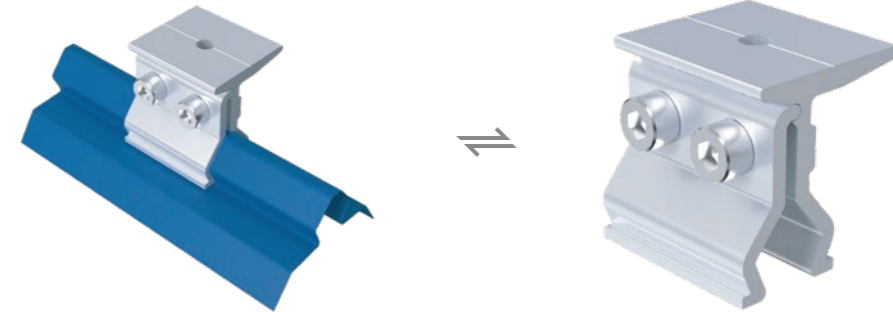


35

36
Item No. ERK-TRB-C31
Description Clip Lock Interface

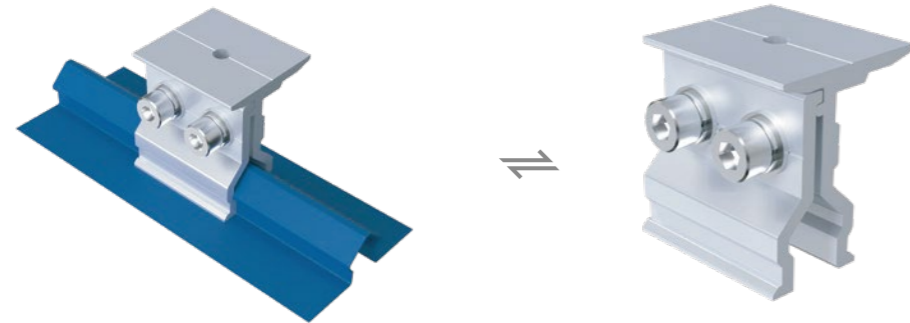


Item No. ERK-TRB-C35
Description Standing Seam Clamp



40

37
Item No. ERK-TRB-C32
Description Valio Metal Sheet Roof Interface

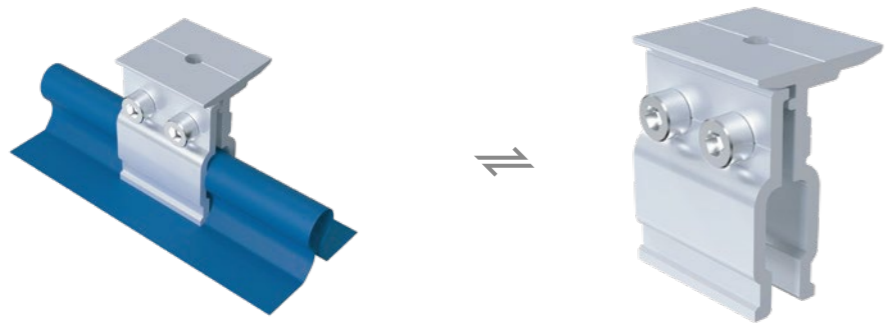


Item No. ERK-TRB-C36
Description Standing Seam Clamp

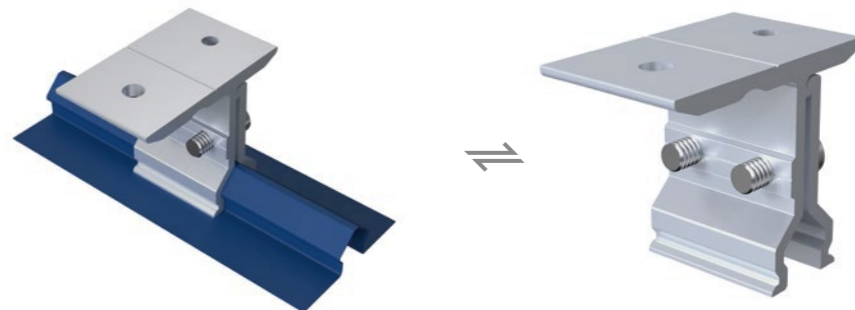


41

38
Item No. ERK-TRB-C33
Description Standing Seam Clamp

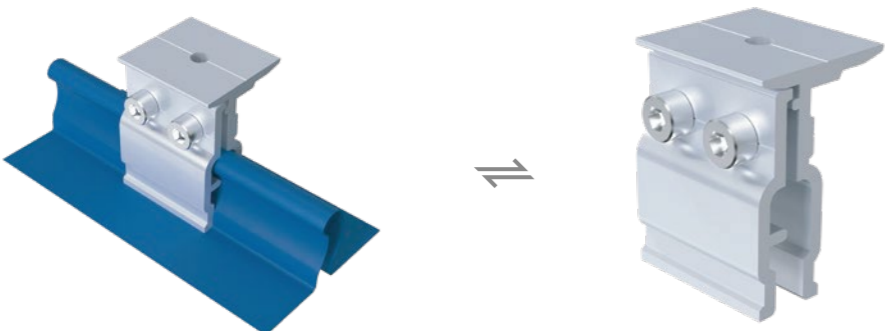


Item No. ERK-TRB-C28
Description Valio Metal Sheet Roof Interface

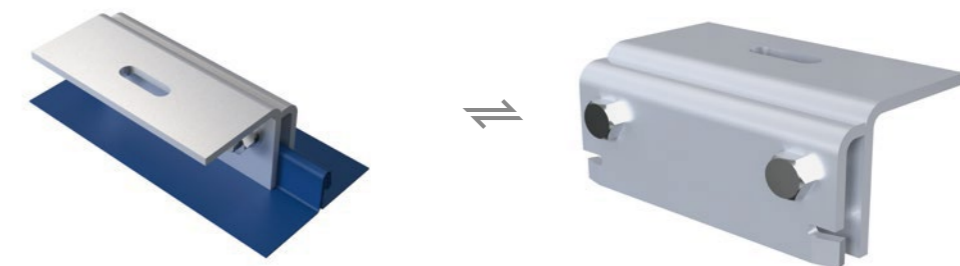


42

39
Item No. ERK-TRB-C34
Description Standing Seam Clamp



Item No. ERK-TRB-C10
Description Stainless Steel Tin Interface Bracket



43