

Data sheet

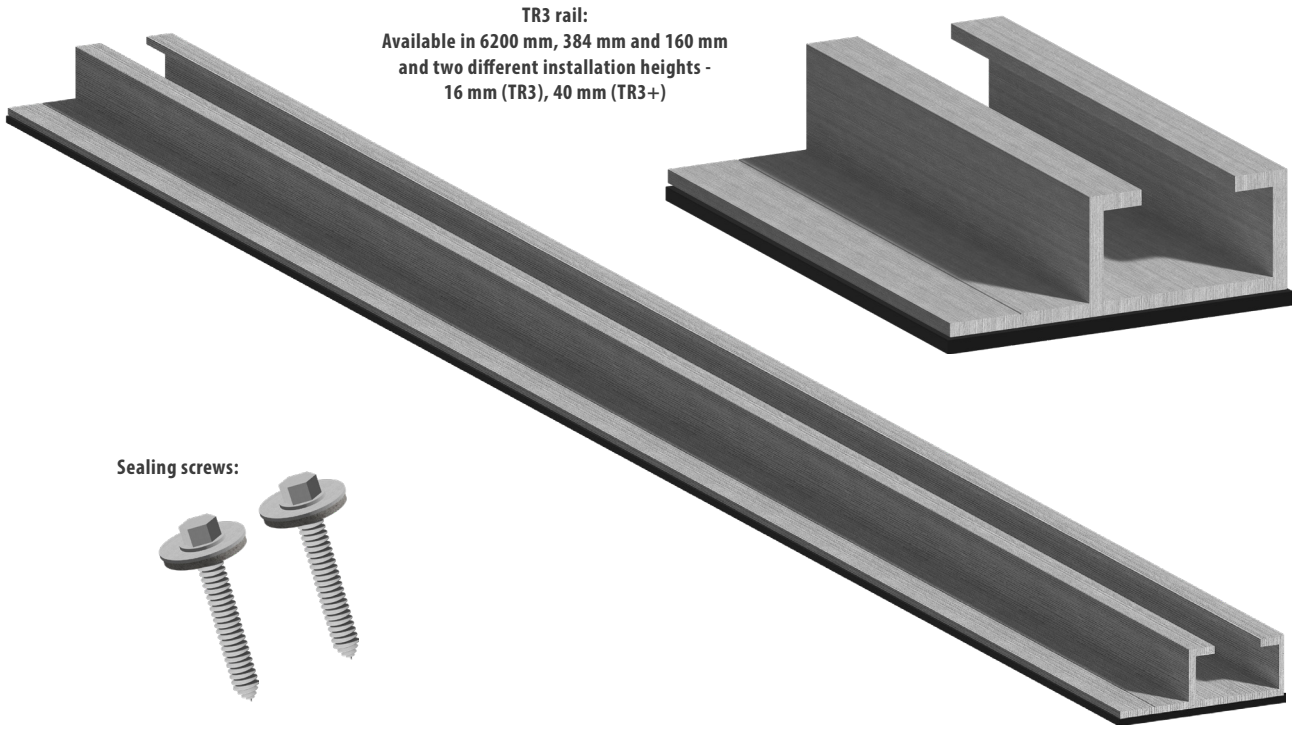
Simply better IROC® TR3 and TR3+ for trapezoidal sheet metal roofs

The IROC® TR3/TR3+ fastening profile for trapezoidal sheet metal roofs is less expensive and faster to install than conventional systems. It is available in standard lengths of 6200 mm, 384 mm or 160 mm (other lengths on request). The IROC® TR3 profile is screwed onto the trapezoidal sheet transversely or longitudinally using self-tapping sealing screws. The module clips are completely pre-assembled and can be used at any location.

Advantages:

- ✓ Structurally proven components
- ✓ Fast assembly
- ✓ Minimal use of materials
- ✓ Suitable for all module types
- ✓ EPDM gasket included
- ✓ Sealing screws included
- ✓ Module clips included
- ✓ No sawing on the roof
- ✓ Low freight costs
- ✓ Cross mounting possible

Mounting type	Roof parallel
Profile length	Standard: 6200 mm, 384 mm or 160 mm, further lengths on request
Module size	For all common module types, also suitable for unframed modules
Module orientation	Upright/transverse
Roof covering	Trapezoidal sheet metal
Material	Aluminum EN AW 6063 / T66
Connection	Thin sheet metal screws on high bead
Accessories	Including EPDM sealing tape and Ejoyt sealing screw
Prerequisite	The load-bearing capacity of the roof must be checked by the customer



End- and module clips: available in black and silver, different sizes, with or without pin

