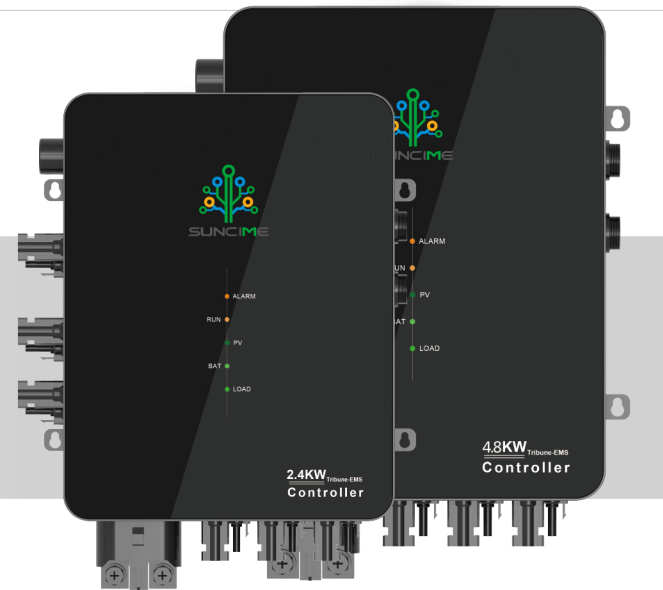


Tribune-EMS

1.6~4.8KW Controller

- Tribune-EMS 4.8KW
- Tribune-EMS 2.4KW
- Tribune-EMS 1.6KW

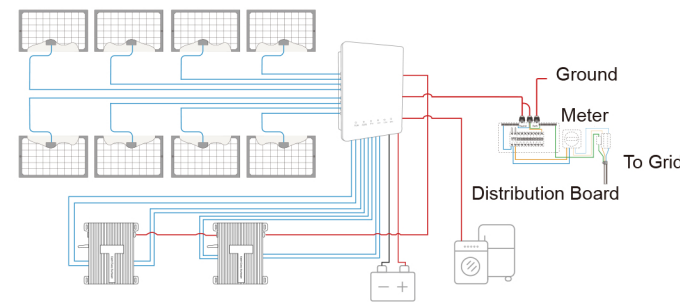


► Description:

The Tribune series energy controller has a powerful and advanced system which integrates (MPPT+AC) battery charging and energy management functions for on/off grid PV systems with a maximum 4KW power output. It works with our Tiger series microinverters to magically create a residential solar storage system that will support battery mode operation without main power. Furthermore, the adaptive function of the wide voltage battery enables customers to choose from various types of batteries: wide voltage (24V/36V/48V), different types of batteries (Lead-acid batteries, lithium batteries, or others). The shell is designed with high-performance aluminum alloy die-casting sealing, so that it can keep running in harsh natural environments.

► Features:

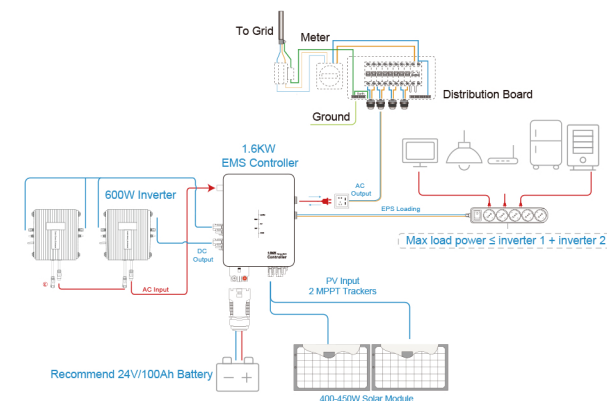
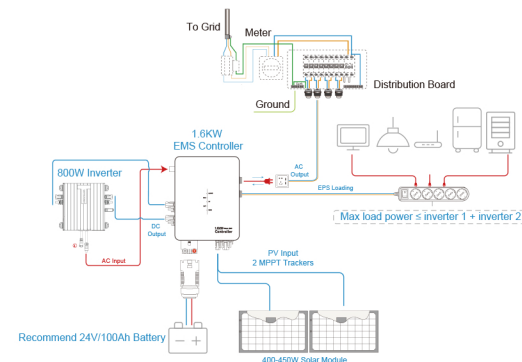
- 4 Independent MPPT trackers, maximize each solar panel output
- Automatic battery voltage detection in 24V/36V/48V
- Suitable for different battery types
- MPPT tracking efficiency >99.9%, peak conversion efficiency >99%
- With UPS function, keep your home devices running properly
- 6 LED lights clearly show all work status
- Reverse polarity protection of solar panel and battery
- Overcharge and overload protection
- Flexibly monitor your solar harvest via APP



4.8kW Controller
Pair up with 4-in-1 Microinverters

1.6kW Controller

Pair up with 2-in-1 Microinverters



Model	Tribune-EMS 4.8KW	Tribune-EMS 2.4KW	Tribune-EMS 1.6KW
MPPT Solar Charger			
Number of MPPT Trackers	4	3	2
PV Operating Voltage		20-60V	
MPPT Operating Voltage Range		25-50V	
Max. PV Open Circuit Voltage		60Vdc	
Max. PV Array Power	4 x 1 Tracker 1200W	3 x 1 Tracker 800W	2 x 1 Tracker 800W
Max. Charging Current	100A	67A	67A
Max. DC Load Current	4 x 30A	3 x 30A	2 x 30A
Self Consumption		2W	
MPPT Tracking Efficiency		99.9%	
Conversion Efficiency		98%	
Protection	Overload, Reverse Connection, Short Circuit, High voltage ,High Temperature Protection		
AC Charger (Optional)			
Input Voltage	110V -260V	Not available	Not available
Charge Current	10A@48V	Not available	Not available
Charge Current Adjustable	0-10A	Not available	Not available
Customized Charge Time	Set Up the Charge Time by APP	Not available	Not available
Battery			
Battery Type	Sealed , AGM, Gel, Flooded, Lithium , Lithium carbonate, User-defined		
Battery Voltage	Standard 48V	Standard 36V	Standard 24V
Battery Voltage Range	10V-60V		
Customized Discharge Time	Set Up the Discharge Time by APP		
Communication			
Communication Port	RS485		
Energy Management			
Input Power from Microinverter	4.8KW	2.4KW	1.6KW
Qty of Microinverter	2pcs Tiger-2KW;4pcs Tiger-1.2KW;	1pc Tiger-2KW;2pcs Tiger-1.2KW;	1pc Tiger-1.2KW;2pcs Tiger-800W
AC Loading (Back-up)	4KW 230Vac@2pcs Tiger-2KW	2.4KW 230Vac@2pcs Tiger-1.2KW	1.2KW 230Vac@1pc Tiger-1.2KW
Loading Peak Power (Back-up)	12KW (with 2pcs Tiger-2KW)	7.2KW (with 2pcs Tiger-1.2KW)	3.6KW (with 1pc Tiger-1.2KW)
AC Output (On-grid)	4KW 230Vac@2pcs Tiger-2KW	2.4KW 230Vac@2pcs Tiger-1.2KW	1.2KW 230Vac@1pc Tiger-1.2KW
Output Power Factor (Adjustable)	>0.99 Default, 0.8 Leading...0.8 Lagging...		
UPS Switch Time	<10mS		
Level of Harmonics Distortion	THD <3%		
Protection	Overload, Short Circuit, Battery Low Voltage, Battery Reverse Polarity, Lsland Protection		
Mechanical			
Net Weight	6KG	4.5KG	4.2KG
Dimensions	380*357*82 MM	232*301*90 MM	232*301*90 MM
Cooling	Natural Convection-No Fans		
Enclosure	IP65		
Environment			
Ambient Temperature	-25~65℃ (Derating from 45℃)		
Storage Temperature	-40℃~+85℃		
Humidity	100% Non-Condensing		
Warranty	3 Years		
Certification			
Safety	CE and UL		

• Support off-grid operation and battery mode operation without mains power