



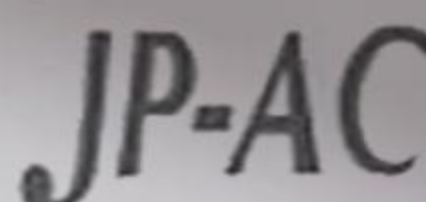
LINUO-APEX

144P 560-580W

LINUO-APEX

N-TYPE MODULE **560-580W**

- 1. EFFICIENCY UP TO 22.45%, 3-6% HIGHER THAN P-TYPE MODULES.
- 2. THE DOUBLE-GLASS STRUCTURE IS MORE WEATHER-RESISTANT AND THE PID EFFECT IS REDUCED TO A LOWER LEVEL.
- 3. THE DEGRADATION IN THE FIRST YEAR IS $\leq 2\%$, AND THE LINER DEGRADATION IN 2-25 YEARS IS $\leq 0.45\%$ /YEAR.
- 4. STRONG WEATHER RESISTANCE, CAN ADAPT TO DIFFERENT HARSH ENVIRONMENTS.



22.45%
Maximum conversion efficiency

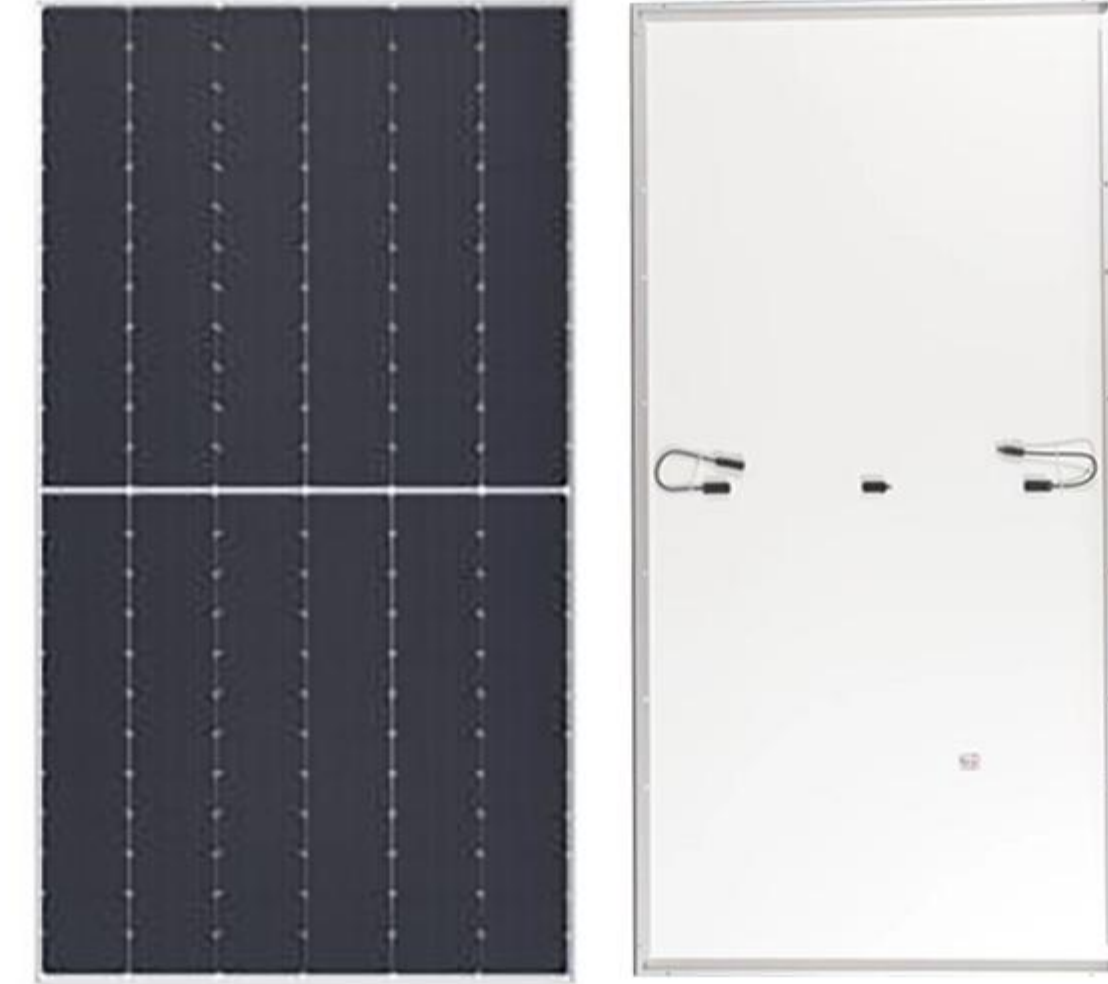
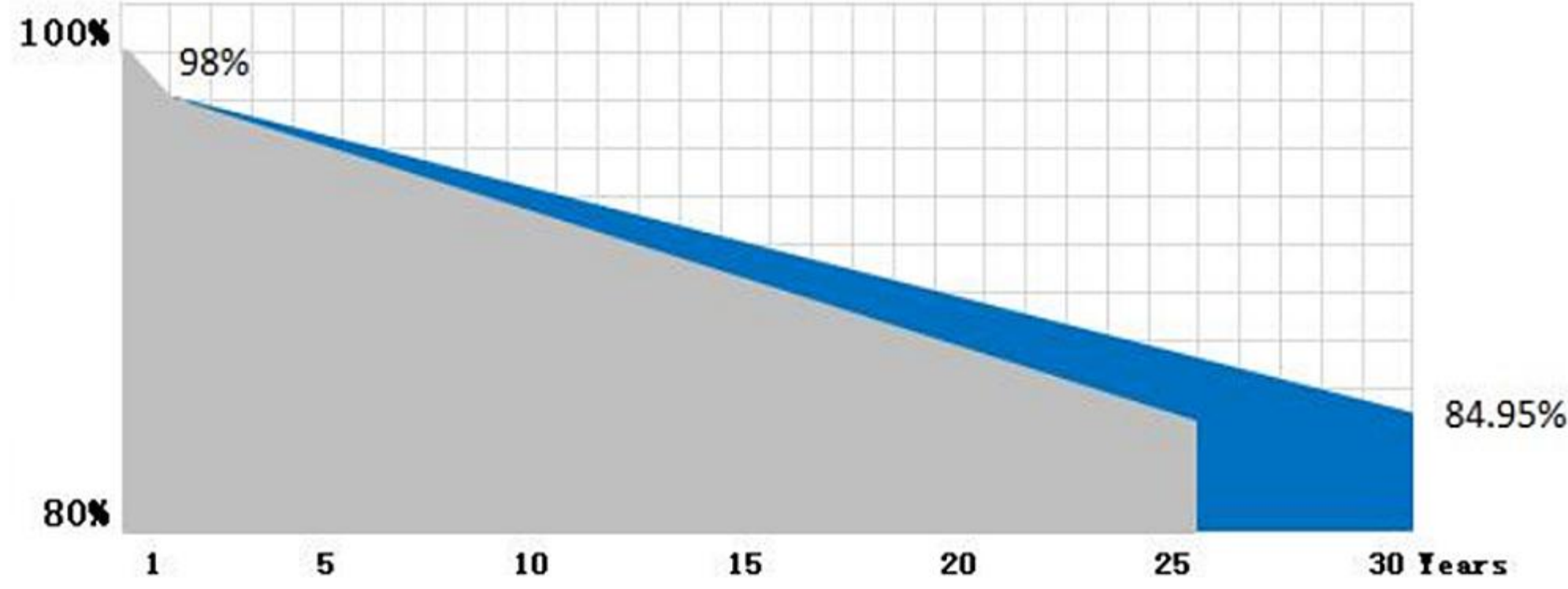
0-3%
Power tolerance

0.8%
First year power attenuation

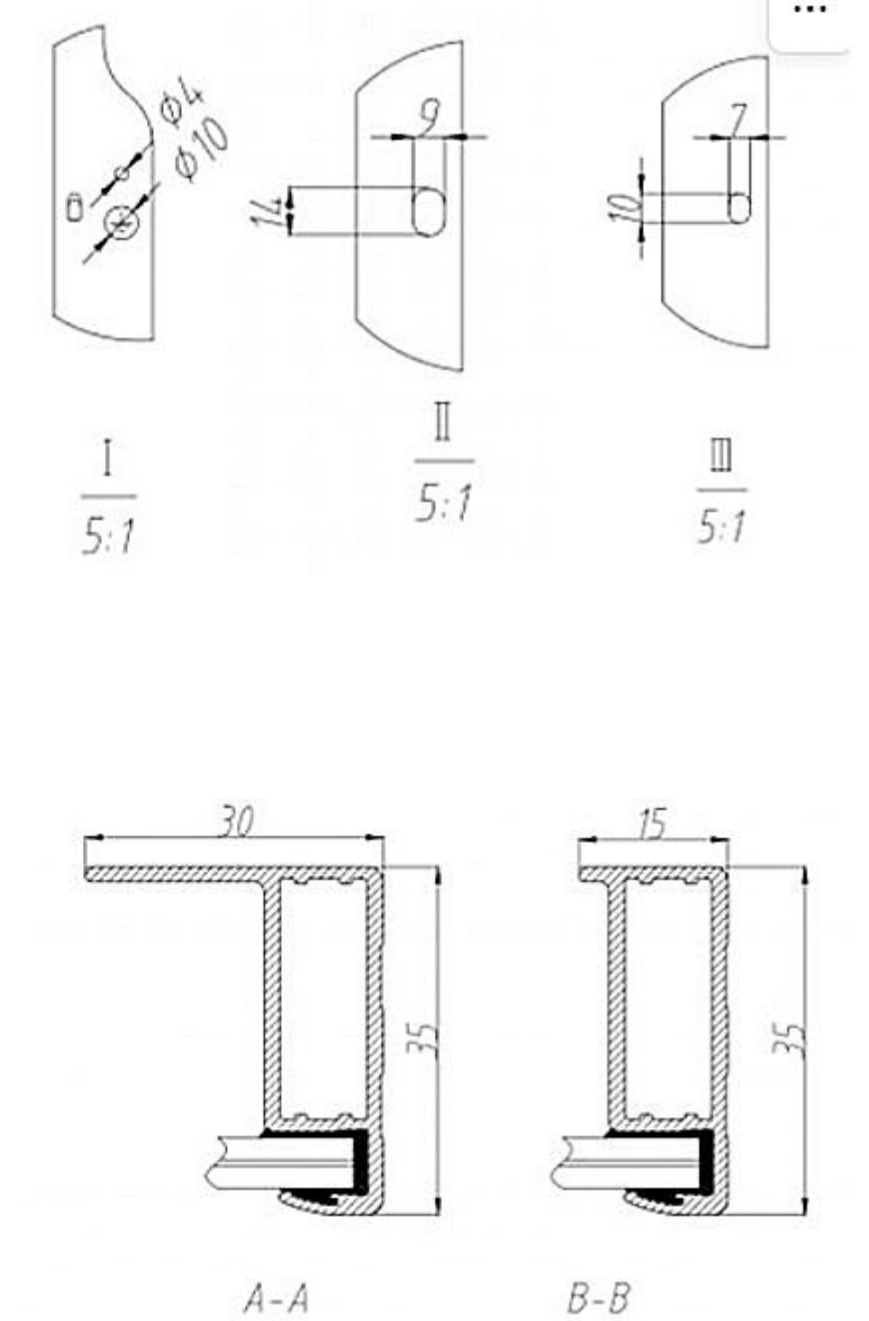
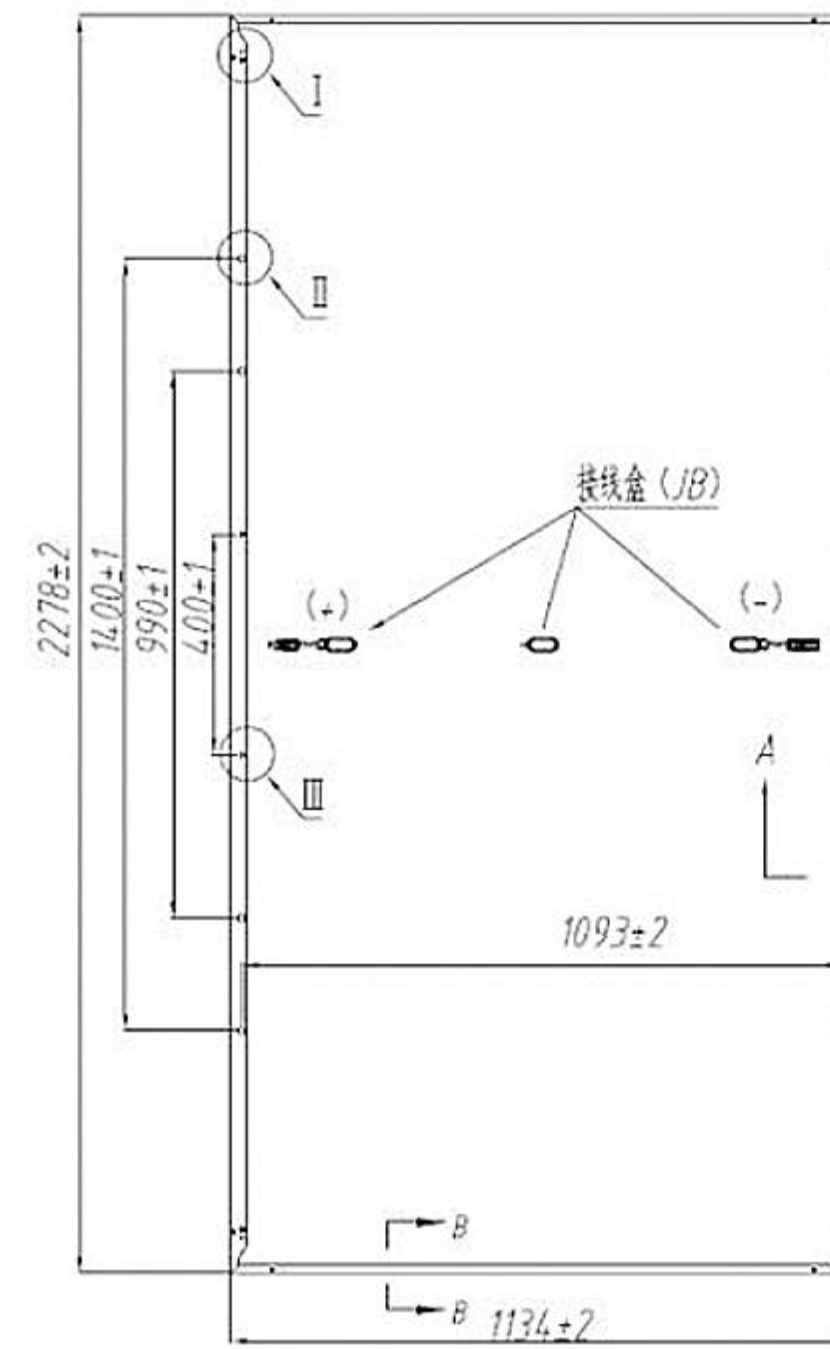
0.38%
Annual power attenuation for 2-30 years

HALF-SLICE TECHNIQUE
Lower temperature coefficient

EXCESS EARNINGS



Solar Cells: Mono
 Number of Cells: 144pcs
 Module: 2278×1134×30mm
 Weight: 31.5 kg±3%
 Snow/Wind Load: 5400/2400 Pa
 Thickness of Glass: dual 2.0mm
 Junction Box: IP68, 3 Diodes
 Connector: HTC-16, IP68
 Length: (+)290mm /(-)290mm(including connector)



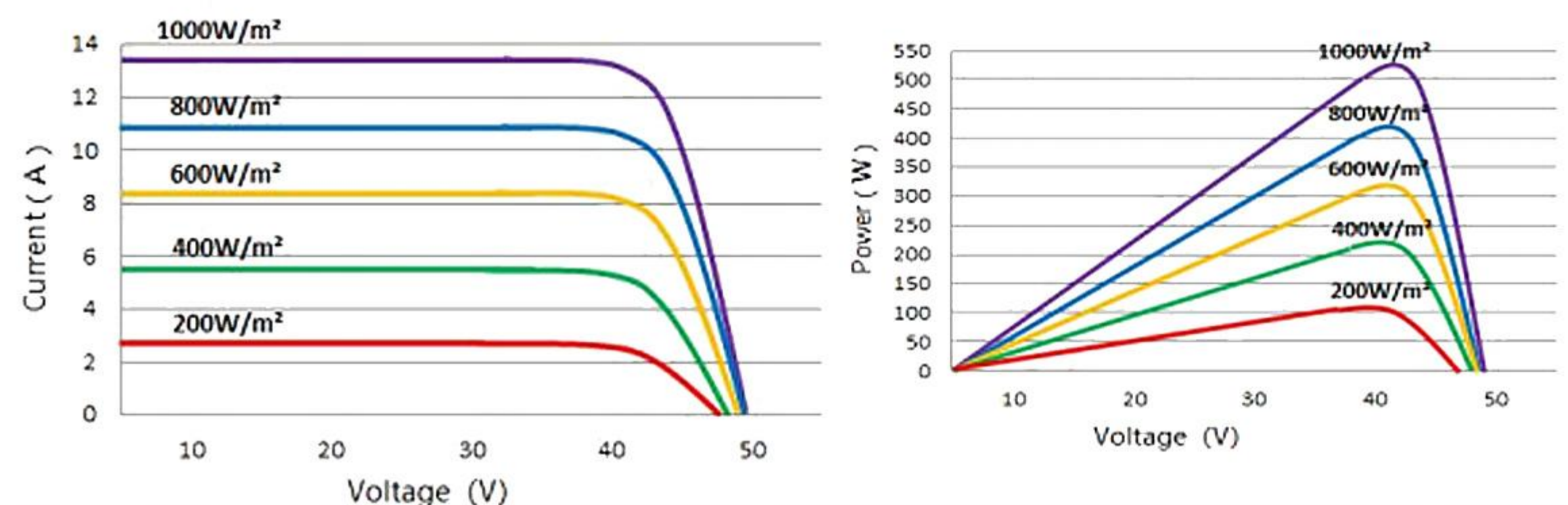
Electrical Specifications @STC

Pmax (W) 0-+5W	Umpp (V)	Imp(A)	Uoc (V) ±3%	Isc(A) ±3%	Module Efficiency	Max System Voltage	Max Series Fuse	Bifacial Gain 5% (W)	Bifacial Gain 15% (W)	Bifacial Gain 25% (W)
550	42.0	13.10	50.2	13.87	21.29%	1500V	30A	572	616	660
555	42.2	13.16	50.4	13.93	21.48%	1500V	30A	577	622	666
560	42.4	13.21	50.6	13.99	21.68%	1500V	30A	582	627	672
565	42.6	13.27	50.8	14.05	21.87%	1500V	30A	588	633	678
570	42.8	13.32	51.0	14.11	22.07%	1500V	30A	593	638	684
575	43.0	13.38	51.2	14.17	22.26%	1500V	30A	598	644	690

Temperature Parameter

Temperature Cycling Range: -40°C ~ +85°C
 Norminal Module Operating Temperature: 45±2 °C
 Temperature Coefficient of Isc: 0.046%/°C
 Temperature Coefficient of Voc: -0.260 %/°C
 Temperature Coefficient of Pmax: -0.310%/°C

I-V Curve LSDMH144-570W



Packaging Configuration

Modules Per Pallet: 36pcs
 Modules Per 40 ' HQ: 720pcs

Guarantee

12-year warranty on materials & workmanship
 30-year linear power output warranty