

# ASTORIOS

per aspera ad astra

## HIGH EFFICIENCY PHOTOVOLTAIC MODULE

ASTR 144HCN/10 Series 565-585 Wp

TOPCON N-TYPE HALF CUT CELLS

**585 Wp**  
MAXIMUM POWER OUTPUT

**22.65%**  
MAXIMUM MODULE EFFICIENCY



### NEGLIGIBLE LID IMPACT

TOPCon cells exhibit an almost zero susceptibility to Light Induced Degradation, ensuring sustained high efficiency over time despite exposure to sunlight



### HOT SPOTS RISK REDUCTION

Sophisticated electrical design, cells sorting, cutting and soldering technology leads to low hot spot risk and temperature control



### HIGH EFFICIENCY

N-type cells technology provides the highest efficiency modern multi busbar configuration at affordable cost.



### MULTI BUSBAR TECHNOLOGY

Better light absorption and current collection for better power output



### MINIMIZING THE SHADING IMPACT

Better partial-shade tolerance due to separated half panel string wiring



### PID RESISTANT

Selected encapsulants, precision in manufacturing quality control makes modules highly PID resistant and snail trails free



### SAND, AMMONIA AND SALT MIST RESISTANCE

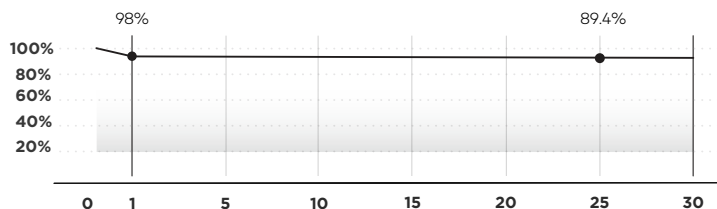
Sand blowing, ammonia and salt mist resistance tests have been passed by international standards to ensure operation in harsh conditions



### SUPERIOR SAFETY AND RELIABILITY

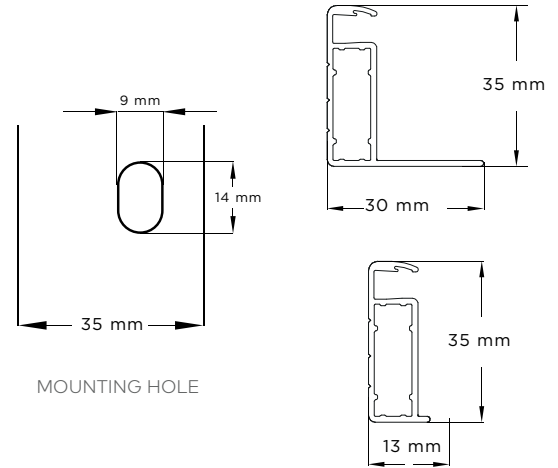
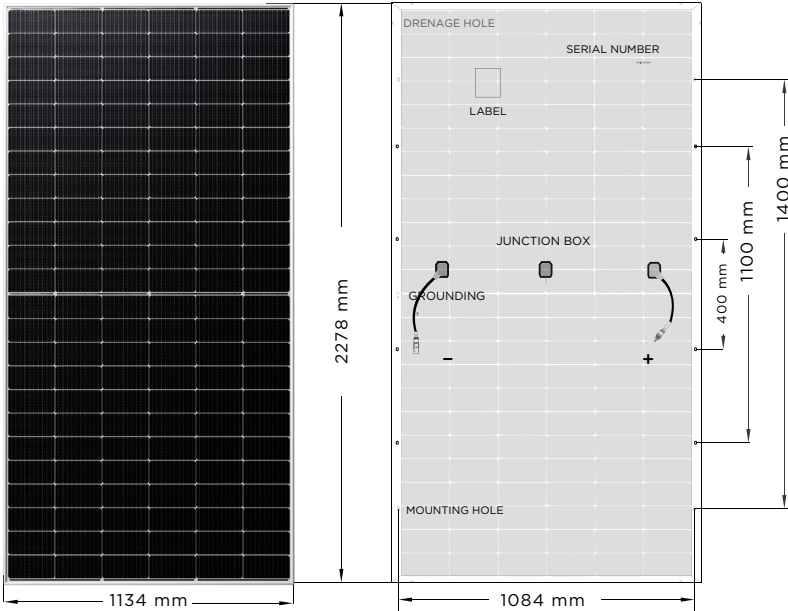
Tested to avoid microcracks and welding cracks, can withstand high pressure loads, passed multi-step quality control

## PERFORMANCE



**30 YEARS**  
Performance Guarantee

**15 YEARS**  
Product Warranty



## MATERIAL CHARACTERISTICS

Dimensions	2278 x 1134 x 35 mm
Weight	29.4 kg
Number of Cells	144 pcs (6x24)
Glass	3.2mm, High transparency, AR coated
Cell Layout	Mono-crystalline, Half Cut N-Type 16BB/10 BB (182 mm)
Frame	Silver color, anodized aluminum alloy
Junction box	IP68 Rated, 3 bypass diodes
Connector type	Staubli MC4-Evo 2 / MC4 (Original)
Cable	4 mm <sup>2</sup> , 300 mm

## TEMPERATURE PARAMETERS

Temperature Coefficient of Pmax	-0.29 % / °C
Temperature Coefficient of Voc	-0.25 % / °C
Temperature Coefficient of Isc	+0.045 % / °C
Operating Temperature	-40°C to +85°C
Normal Operating Cell Temperature (NOCT)	44±2°C

## MAXIMUM RATINGS

Max. System Voltage	1500V DC -(H)
Max. Series Fuse Rating	2400 Pa*
Uplift load (wind)	5400 Pa*
Downforce load (snow)	25 A

## PACKAGING INFORMATION

One pallet quantity	31 pcs
40 ft HC/HQ container	620 pcs

\*For more information please refer to Instruction Manual

MODULE TYPE	144HCN/10		565 Wp		570 Wp		575Wp		580 Wp		585 Wp	
	STC	NMOT	STC	NMOT	STC	NMOT	STC	NMOT	STC	NMOT	STC	NMOT
<b>ELECTRICAL CHARACTERISTICS</b>												
Maximum power (Pmax / Wp)	565	425	570	429	575	432	580	436	585	440		
Open circuit voltage (Voc / V)	50.60	48.06	50.74	48.20	50.88	48.33	51.02	48.46	51.16	48.60		
Short circuit current (Isc / A)	14.23	11.49	14.31	11.55	14.39	11.62	14.47	11.68	14.55	11.75		
Maximum power voltage (Vmp / V)	41.92	39.38	42.07	39.51	42.22	39.60	42.37	39.69	42.52	39.81		
Maximum power current (Imp / A)	13.48	10.79	13.55	10.85	13.62	10.92	13.69	10.99	13.76	11.05		
Module efficiency at STC (ηm / %)	21.87		22.07		22.26		22.45		22.65			
Power tolerance (Pmax)	(0,+5) Wp											

STC: Irradiance of 1000 W/m<sup>2</sup> with spectrum AM 1.5 and a module temperature of 25°C

NMOT: Irradiance 800 W/m<sup>2</sup>, ambient temperature 20°C and wind speed 1 m/s

## CERTIFICATES

- IEC62716 (Ammonia)
- IEC60068-2-68 (Sand)
- IEC61215 / 61730 / 61701

