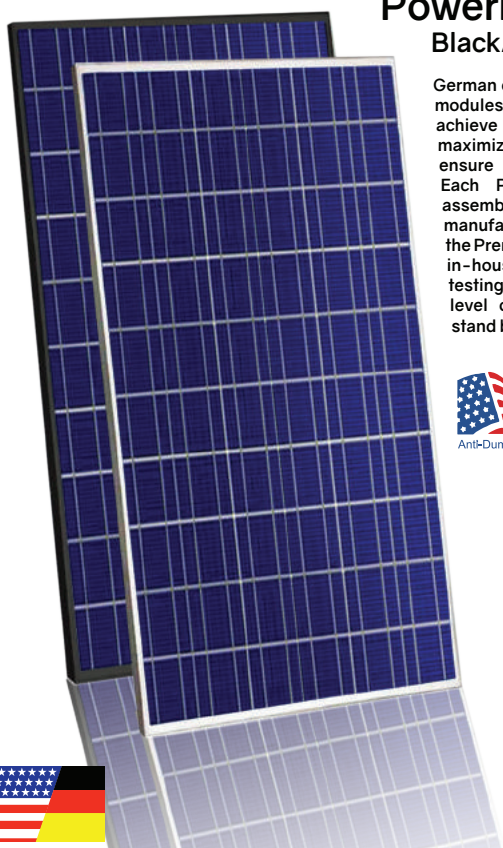


**PowerLine** | 250W, 255W, 260W, 265W, 270W  
Made for America | 60-Cell Mono - Crystalline

## MADE FOR AMERICA WITH QUALITY VALUE



### PowerLine Supreme Black/Silver

German engineered, PremiumLine modules are designed and built to achieve top quality performance, maximize energy production and ensure long-lasting durability. Each PremiumLine module is assembled with our automated manufacturing processes. And the PremiumLine surpasses strict in-house and independent testing, guaranteeing the high level of quality our engineers stand behind.



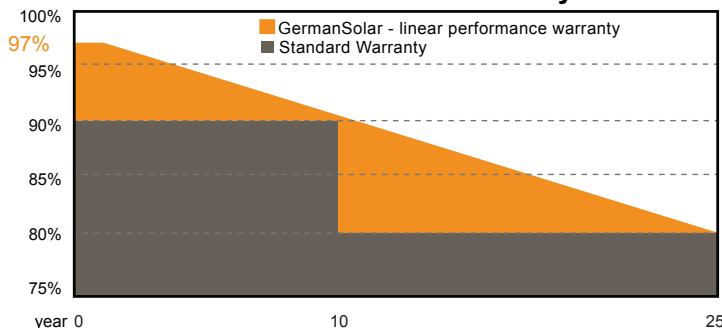
#### Built-in durability

GermanSolar only uses premium materials. To eliminate the possibility of hotspot formation thoroughly, strict control-criteria mandate a thermal picture of each cell before and after processing.

#### 25-year linear performance warranty

Our 25-year linear performance warranty covers for power loss less than 3% in the first year and only 0.35% degradation per year thereafter.

#### 25-Year Linear Performance Warranty



Best price-performance ratio



Highest performance due to new cell technologies and high quality materials



25-year linear performance warranty



12-year product warranty



Up to 4.99 W more power performance with positive cell-sorting to guarantee higher yield



1000V UL



High quality j-box with connectors for long-time durability



Potential induced degradation (PID) Free



100% Effective hotspot-prevention processes with micro crack inspection ensure durability



More power due to better power tolerance: ±3%



Better performance in diffused sunlight and high temperature



High ammonia and salt mist resistance certified



Glass with anti-reflective coating



Individual testing and surveying, quality assurance by permanent production control incl. EL-test



UV stabilized, aesthetically pleasing black anodized frame



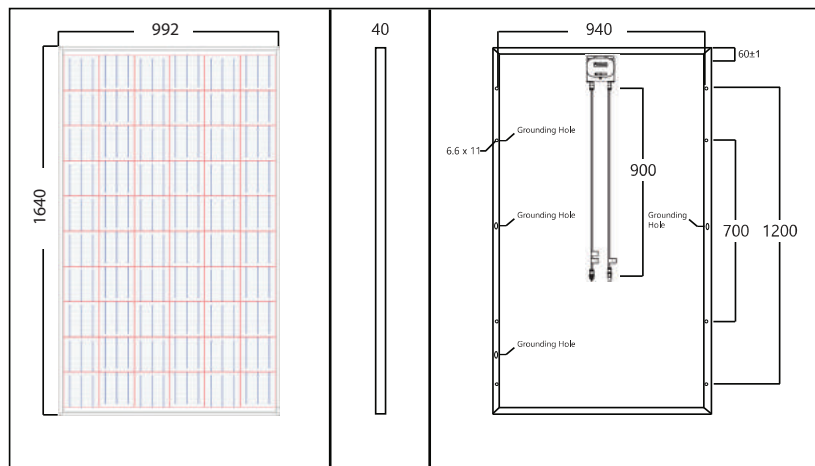
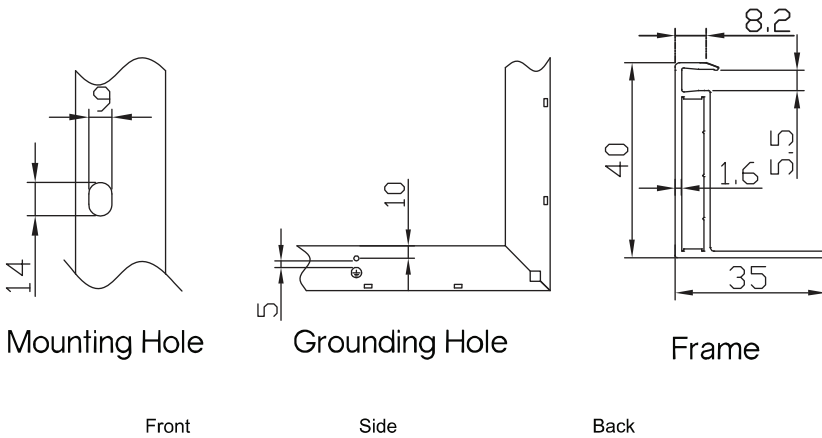
Module Fire Performance  
TYPE 1 (UL 1703)  
CLASS C (IEC61730)



# Description

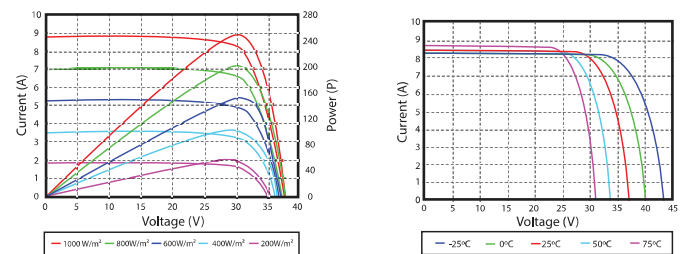
Item	Module Type GSP6 250/255/260/265/270W					
<b>Electrical parameters at STC</b>						
Maximum Power	Pmax(W)	250W	255W	260W	265W	270W
Power Tolerance	W	0 +5W	0 +5W	0 +5W	0 +5W	0 +5W
Tolerance	(%)	±3%	±3%	±3%	±3%	±3%
Open Circuit Voltage	Voc(V)	37.5	37.8	38	38.3	38.5
Short Circuit Current	Isc(A)	8.85	8.95	9.01	9.2	9.31
Maximum Power Voltage	Vmpp(V)	30.10	30.50	30.70	30.89	31.11
Maximum Power Current	Imp(A)	8.31	8.39	8.42	8.47	8.57
Module Efficiency	(%)	15.3	15.6	15.9	16.2	16.5
Solar Cell Efficiency	(%)	17.4	17.7	18.1	18.4	18.7
<b>STC: Irradiance 1000W/m<sup>2</sup>, Cell temperature 25°C, AM1.5</b>						
<b>Electrical parameters at NOCT</b>						
Maximum Power	Pmax(W)	187W	191W	194W	197W	201W
Open Circuit Voltage	Voc(V)	34.5	34.8	35.0	35.3	35.6
Short Circuit Current	Isc(A)	7.04	7.15	7.22	7.36	7.45
Maximum Power Voltage	Vmpp(V)	28.2	28.5	28.8	29.1	29.4
Maximum Power Current	Imp(A)	6.63	6.68	6.73	6.79	6.85
<b>NOCT: Irradiance 800W/m<sup>2</sup>, Ambient temperature 20°C, Wind speed 1 m/s</b>						
<b>Mechanical Characteristics</b>						
Cell Type	(mm)	156 x 156(Poly-Crystalline Silicon)				
Number of Cells	(Pcs)	60				
Maximum System Voltage	(V)	DC1000				
Temp. Coeff of Voc	(%/K)	-0.33%/K				
Temp. Coeff of Isc	(%/K)	+0.05%/K				
Temp. Coeff. Of Pmax	(%/K)	-0.43%/K				
Operating Temperature	(°C)	-40°C to +85°C				
Nominal Operating Cell Temperature	(°C)	45±2				
Max Series Fuse	(A)	15				
Insulation	(MΩ)	50				
Wind Bearing	(Pa)	≤5400				
Pressure Bearing	(Pa)	≤2400				

## PHYSICAL CHARACTERISTICS Unit: mm



NOCT**	45°C ±2°C
Module efficiency reduction at 200 W/ m <sup>2</sup> ***	-0.6 (±0.3)% abs
Max. System Voltage	1000 V DC
IP Protection Level	IP 65
Module Technology	Glass-Foil Laminate with anodized aluminum frame
Module Design	Cover material: Solar glass with antireflection surface treatment, 0.13 in (3.2mm); Encapsulation: EVA-Solar Cells -EVA; Back material
No. and Type of Solar Cells	60 crystalline solar cells 6.14 x 6.14 in (156 x 156 mm) 0.007 in ± 1.18 x 103 (180 um ± 30 μm)
Cables	Junction box with MC4 connectors, cables: 2 x 3.28 ft/0.006 in2 (2 x 1 m/4 mm <sup>2</sup> )
Junction Box	IP 67 rated, with 3 bypass diodes
Dimensions (lxwxh)	64.56 x 39.05 x 1.57 in (1640 x 992 x 40mm)
Weight	40.8 lbs/ 18.5 kg
Operating Temperature Range	-40 ... +185°F (-40 ... +85°C)
Ambient Temperature Range	-40 ... +113°F (-40 ... +45°C)
Mechanical Ratings	Suction pressure and load of 50 lb/ft <sup>2</sup> (2400 Pa) approved (Wind speed 81 mph (130 km/h) with safety factor 3), load of 5400 Pa approved
Certification	IEC 61215 : 2005 IEC 61730 -1/-2 : 2004 IEC 61701 : 1995 (salt mist resistant) DLG Focus Test (ammonia resistant) UL 1703 approved ETL UL 1703 : Type 1 Fire-Rating Fire Class: C FSEC listing UNI 9177 Class 1 EN 13501- 1 Class E
Positive Sorting	-0 Wp / +4.99 Wp
Pallet Dimensions in weight / size	1177.3 lbs (66.93 x 44.49 x 45.28) inches 26 modules per pallet
Module Qty per Container	728pcs/40'HQ
Product Warranty	12 years
Performance Warranty	25 years, according to the Warranty Conditions of GermanSolar Linear Warranty

## I-V Curves



Current-Voltage and Power-Voltage Curves at Different Irradiances

Current-Voltage Curves at Different Temperatures

\* STC-Standard Conditions, measurement conditions: intensity irradiation 1000 W/m<sup>2</sup>, spectral distribution AM 1.5, temperature 25 ± 2°C, according to standard EN 60904-3  
 \*\* NOCT-Normal operation Cell Temperature, measurement conditions: irradiation intensity 800 W/m<sup>2</sup>, AM 1.5, temperature 20°C, wind speed 1m/s,  
 \*\*\* Reduced efficiency with the decrease in the intensity of irradiation of 1000 W/m<sup>2</sup> and 200 W/m<sup>2</sup>, temperature 25°C according to EN 60904-1  
 \*\*\*\* Reverse current power rating: operation of the modules with an external power source is only permitted with a string fuse with a release current of <2 x Isc @ STC  
 Measuring tolerance of Pmax @ STC ± 5% all other electric parameters ±10%  
 This data sheet conforms to EN 50380, GermanSolar reserves the right to change specifications without notice.