



CE-360/365/370/375/380HM

M6/166mm Cell.120 Half-Cell Layout



Higher Efficiency

The highest efficiency of the series is up to 20.9%.



High Reliability

Superior craftsmanship, engineering excellence, and attention to the finest detail ensure longevity and optimal performance.



Low-Light Performance

Excellent power generation performance under Low-light.



Extremely Environmental Testing

Remain peak performance in extreme environments.



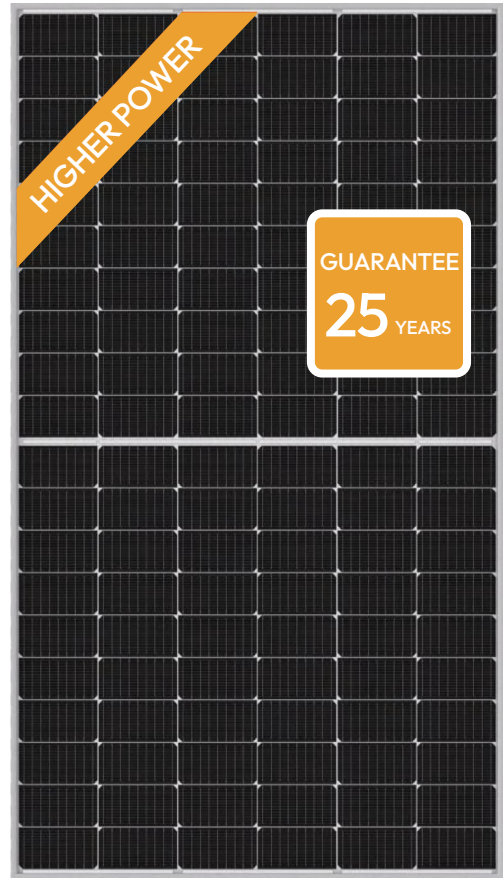
Strength and Durability

Certified for 5400Pa snow and 2400Pa loads test.



PID Free

Certified for Anti-PID under 85 degrees Celsius, 85% RH for 288 hours.



Centro Energy Electric Quality

For more than 10 years, we have been perfecting our PV modules to bring you the highest quality products possible.

- Automated cell and module production lines ensure consistently high quality in every module.
- Each cell and module flash tested to ensure rated level of output.
- Aesthetically pleasing black frame and cells.
- Lead-free solder protects health and the environment.

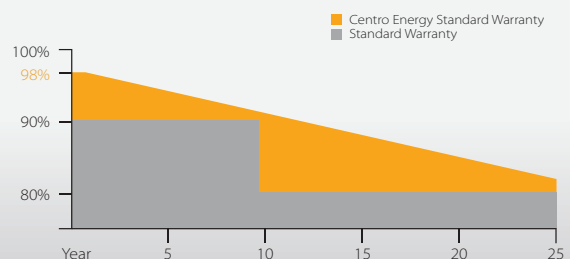
Authorised Photovoltaic Certificates



System Certification

- ISO 9001:2015
- ISO 14001:2015

25 Years Performance Warranty



Tel: +86 25 86550862

Email: info@centro-energy.com

Web: www.centro-energy.com

Add: Jingmin Rd, Jintan District, Changzhou, Jiangsu Province, China

CE-360/365/370/375/380HM

M6/166mm Cell.120 Half-Cell Layout

Electrical Characteristics under STC*

Module Type	CE-360HM	CE-365HM	CE-370HM	CE-375HM	CE-380HM
Max.power (Pmax) [W]	360	365	370	375	380
Max.power voltage (Vmp) [V]	34.8	35.0	35.2	35.4	35.6
Max.power current (Imp) [A]	10.35	10.43	10.52	10.60	10.68
Open circuit voltage (Voc) [V]	40.80	41.00	41.20	41.40	41.60
Short circuit current (Isc) [A]	11.33	11.41	11.50	11.58	11.67
Max.series fuse rating [A]	20	20	20	20	20
Power tolerance [W]	0/+5	0/+5	0/+5	0/+5	0/+5
Max.system voltage [V]	1500	1500	1500	1500	1500
Solar panel efficiency [%]	19.8	20.0	20.3	20.6	20.9

Mechanical Characteristics

Dimension	1755mm×1038mm×30mm
Weight	19.5kg
Front Glass	3.2mm,Low Iron Tempered Glass
Solar Cell	120pcs
Frame	Anodized Aluminum Alloy
Junction Box	IP 68 Rated
Cable	4mm ² ,Length 300mm
Connector	MC4 Compatible

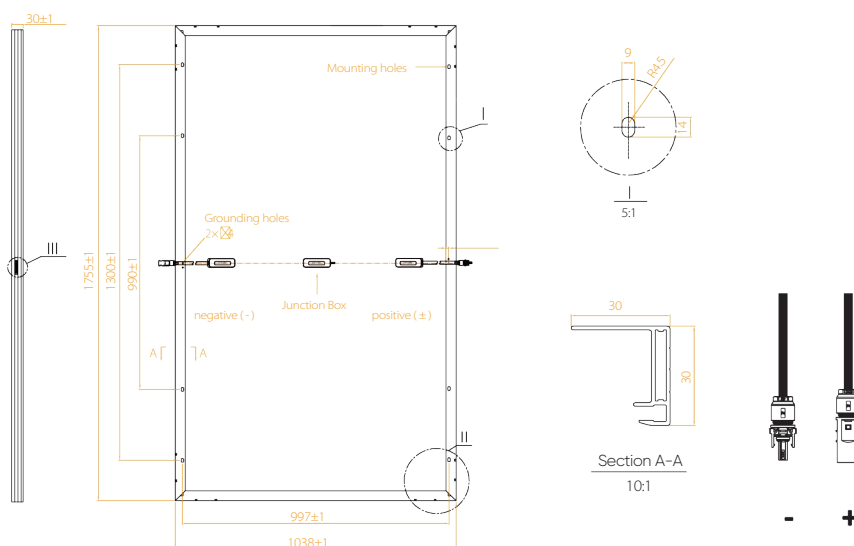
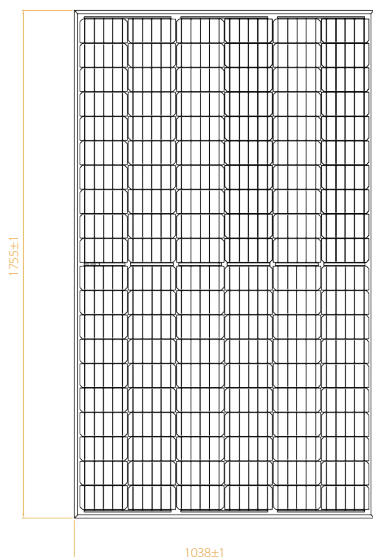
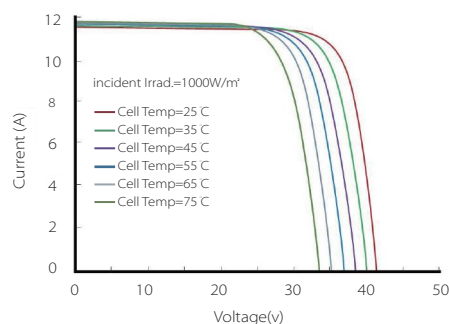
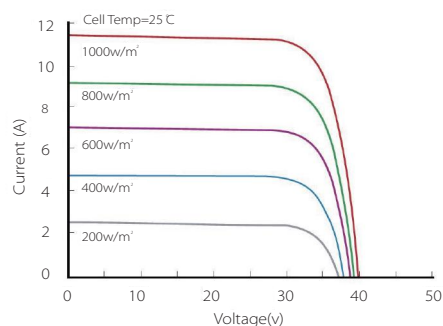
Temperature characteristics

Temperature(NOCT)[°C]	45±2
Temp.oefficient of Pmax[%/°C]	-0.35
Temp.oefficient of Voc[V/°C]	-0.29
Temp.oefficient of Isc[mA/°C]	0.048

Warranty

12 years product warranty
12 years warranty on 90% power output
25 years warranty on 80% power output

I-V CURVE



Note: Standard Test Conditions: Air mass 1.5; Irradiance = 1000W/m²; cell temp. 25°C