

VEICHI

# VH Series Hybrid Inverter

- Optimal Power & Storage
- Strong Load & Back-up
- Convenient Installation & Operation
- Flexible Design & Use





### More Power & Storage

- High Power Efficiency for Enhanced ROI
- Big DC Input Current for Ideal PV Module Compatibility
- Large Capacity Charge/Discharge Current for Rapid Energy Cycling



### Optimal Consumption & Back-up

- Unbalanced Output Capability for Strategic Power Optimization
- Continuous AC Overloading to Meet Intense Load Demands
- UPS-Level Switching for Ensured Operation of Uninterruptable Loads



### Convenient Design & Installation

- Wide Battery Voltage Range for Customizable Storage Capacity
- Enabling Parallel Operation for Both On-Grid and Off-Grid Solutions
- Plug & Play Terminals for Easy Wiring and Installation

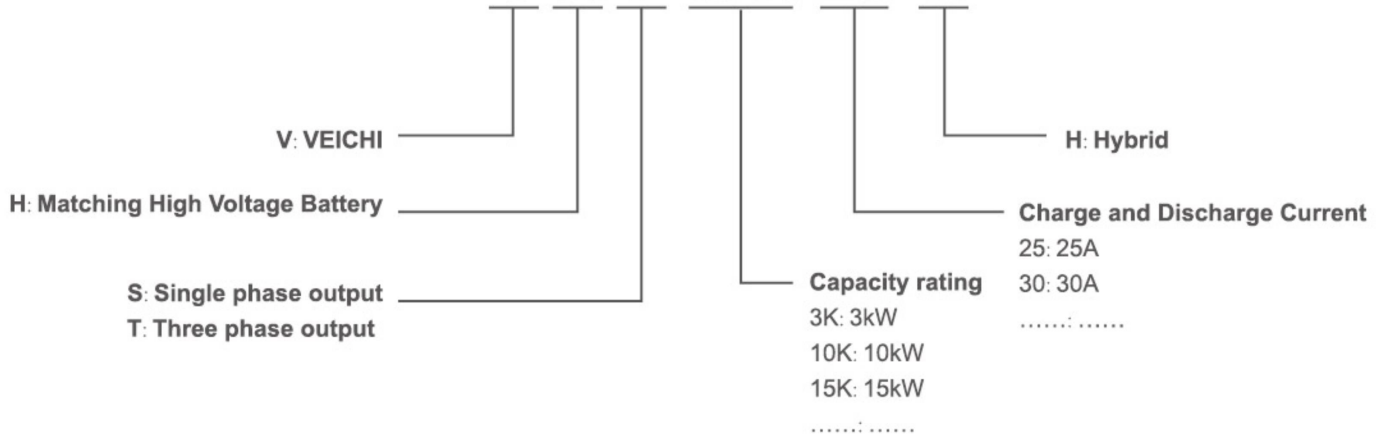


### Intelligent Operation & Maintenance

- Intelligent Indicator Light for Clear Power Status and Alarm Indications
- OLED Display and App for Efficient Data Management
- VEICHI Energy Management System for Intelligent Control via App and Website

## Model Description

# V H T-10K-25-H



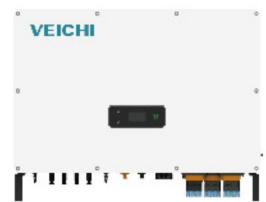
VHS-3K-30-H  
(3K-8K)



VHT-4K-25-H  
(4K-12K)



VHT-10K-40-H  
(10K-20K)

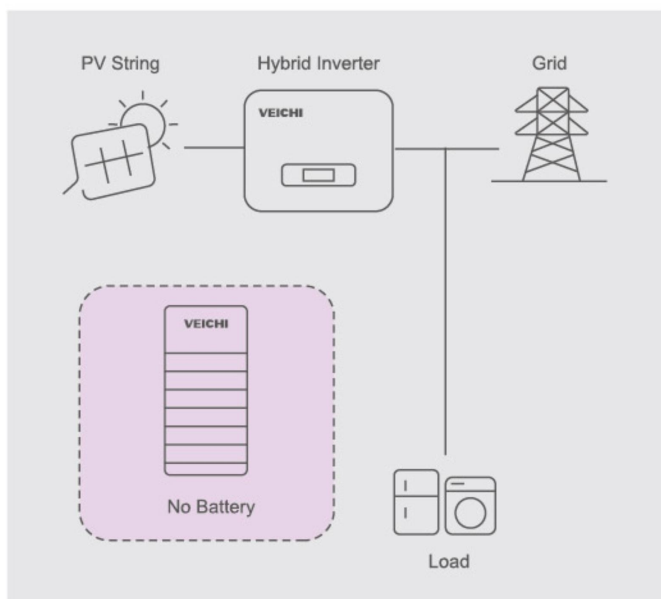
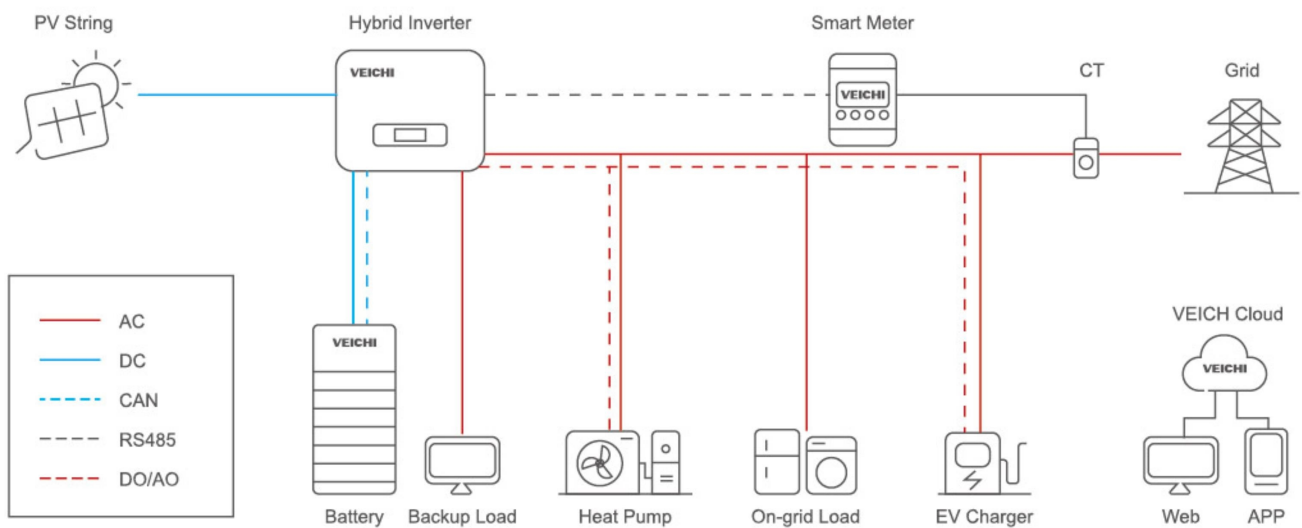


VHT-25K-100-H  
(25K-50K)

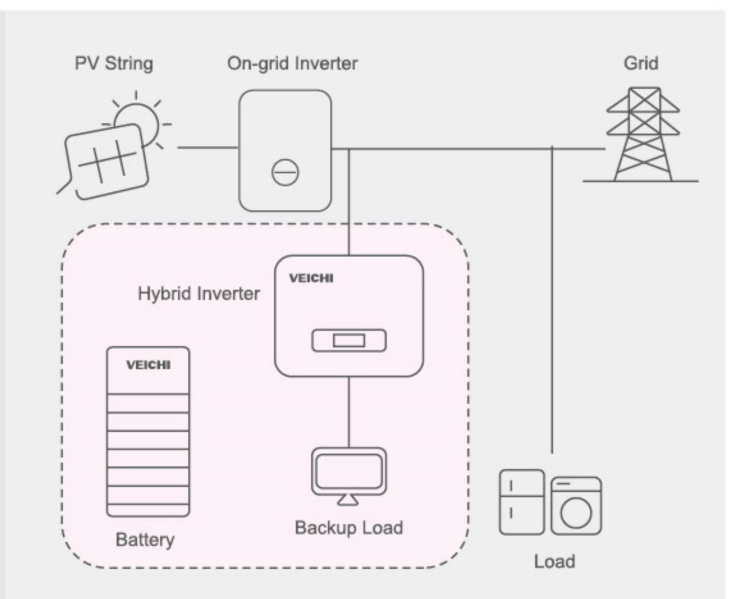




# Residential Energy Storage Solution



Battery Ready Scenario



AC Retrofit Scenario

Mode	VHT-25K-100-H	VHT-30K-100-H	VHT-36K-100-H	VHT-40K-100-H	VHT-50K-100-H
<b>PV Input</b>					
Recommended Max.input power [kW]	37.5	45.0	54.0	60.0	75.0
Start-up voltage [V]	135	135	135	135	135
Max.DC input voltage* [V]	1000*	1000*	1000*	1000*	1000*
Rated DC input voltage [V]	620	620	620	620	620
MPPT voltage range* [V]	200-850*	200-850*	200-850*	200-850*	200-850*
No.of MPP trackers	4	4	4	4	4
No.of DC inputs per MPPT	2	2	2	2	2
Max.input current [A]	30x4	30x4	30x4	30x4	30x4
Max.short-circuit current [A]	40x4	40x4	40x4	40x4	40x4
<b>Battery Side</b>					
Battery type	Lithium Battery (with BMS)				
Battery voltage range [V]	135-750				
Maximum charging/discharge current [A]	100/100				
<b>Grid Side</b>					
Rated output power [kw]	25.0	30.0	36.0	40.0	50.0
Max.output apparent power [kVA]	27.5	33.0 <sup>1)</sup>	39.6	44.0	55.0
Max.input apparent power** [kVA]	30.0	36.0	43.5	48.0	60.0
Max.charging power of battery [kW]	25.0	30.0	36.0	40.0	50.0
Rated AC voltage	3L/N/PE;220/380V;230/400V;240/415V				
Rated AC frequency [Hz]	50/60	50/60	50/60	50/60	50/60
Max.output current [A]	42.0	50.0 <sup>2)</sup>	60.0	66.0	83.0
Power factor	0.8 leading...0.8 lagging				
Max.total harmonic distortion	<3%@Rated output power				
DCI	<0.5%In	<0.5%In	<0.5%In	<0.5%In	<0.5%In
<b>Back-up Side</b>					
Rated output power [kW]	25.0	30.0	36.0	40.0	50.0
Max.output apparent power [kVA]	27.5	33.0	39.6	44.0	55.0
Max.output current [A]	42.0	50.0	60.0	66.0	83.0
UPS switching time	<20ms	<20ms	<20ms	<20ms	<20ms
Rated output voltage	3L/N/PE;220/380V;230/400V;240/415V				
Rated output frequency [Hz]	50/60	50/60	50/60	50/60	50/60
Voltage harmonic distortion	<3%@Linear load				
<b>Generator Side</b>					
Max.input apparent power** [kVA]	30.0	36.0	43.5	48.0	60.0
Max.charging power of battery [kW]	25.0	30.0	36.0	40.0	50.0
Rated AC voltage	3L/N/PE;220/380V;230/400V;240/415V				
Rated AC frequency [Hz]	50/60	50/60	50/60	50/60	50/60
<b>Efficiency</b>					
Max. efficiency	98.8%	98.8%	98.8%	98.8%	98.8%
European efficiency	98.3%	98.3%	98.3%	98.3%	98.3%
<b>Protection</b>					
DC reverse polarity protection	Integrated				
Battery input reverse connection protection	Integrated				
Insulation resistance protection	Integrated				
Surge protection	Integrated				
Over-temperature protection	Integrated				
Residual current protection	Integrated				
Islanding protection	Integrated				
AC over-voltage protection	Integrated				
Overload protection	Integrated				
AC short-circuit protection	Integrated				
<b>General Data</b>					
Over voltage category	PV:II Main:III				
Dimensions [W×H×D mm]	800×620×300				
Weight [KG]	72.0				
Protection degree	IP65				
Standby self-consumption [W]	<15				
Topology	Transformerless				
Operating Temperature Range [°C]	-30~60				
Relative Humidity [%]	0~100				
Operating Altitude [m]	3000 (>3000m derating)				
Cooling	Smart fan				
Noise Level [dB]	<50				
Display	OLED & LED				
Communication	CAN,RS485,WiFi/LAN (Optional)				

\*PV Max.Input voltage is 850V,otherwise inverter will be waiting

\*\*Max apparent power from the grid means the maximum power imported from the utility grid used to satisfy the backup loads and charge the battery;

1)AS 4777.2,VDE-AR-N 4105:30.0kVA;2)AS 4777.2,VDE-AR-N 4105:43.5A



Compatibility list of battery