

Micro Sun Series

MonoCrystallin
36 - cell Module

TW-165MM-1

165W

0-3%Positive Tolerance



Monocrystalline



Grade A

Quality Certification



Scope:

This Product Specification indicates the details of this product's Scale, Performance, and Lab Test results.

Module Specification

Module Size	1180*765*30mm
Module Weight	8.3kg
Cell Type	Mono crystalline 182*121.3mm,36 Pieces(4*9)
Glass	3.2mm
Frame	Anodized aluminum alloy
Junction Box	Ip68
Module Material	EVA, PET/TPT
Cable	4mm ² , MC4compatible

Electrical Characteristics

Voc(V)	24.72V
Isc(A)	9.69A
Vmp(V)	20.52V
Imp(A)	8.04A
Pmax(W)	165W
Temp	-45°C-+85°C

Temperature Characteristics

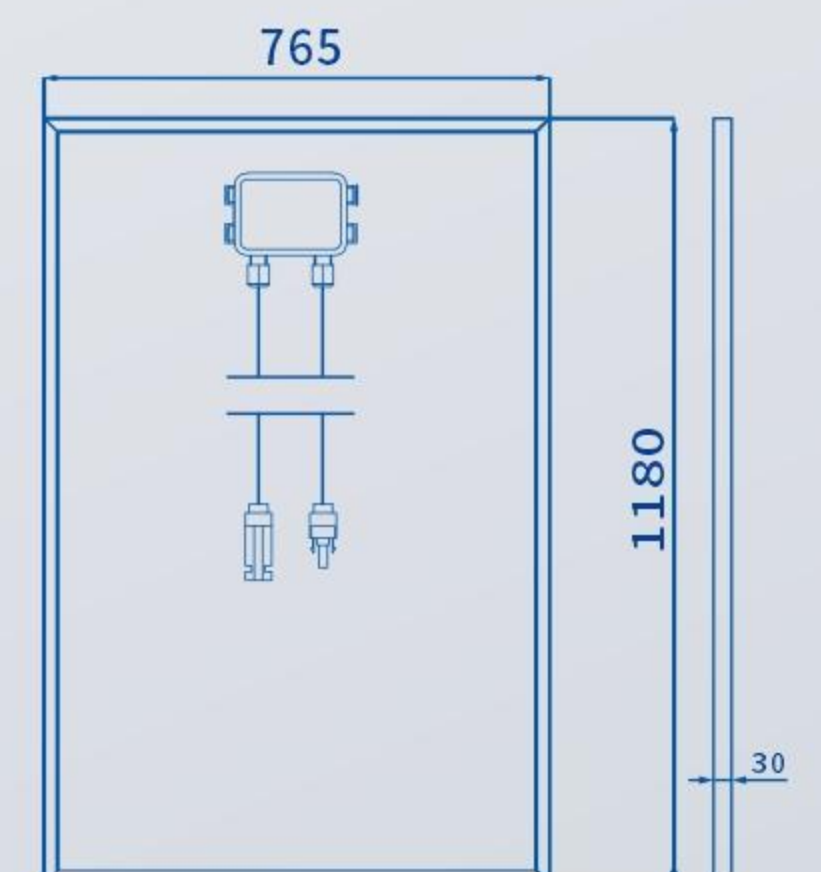
Power Tolerance	±5%
Max.Power Temp.	-0.350%/°C
Open circuit Voltage Temp.	-0.275%/°C
Shot circuit current Temp.	0.046%/°C
Max.System Voltage(V)	1000V



General Specification:

- 1 Scope of Product Application:
This Product is applicable in Solar Module matrix and Solar System for both domestic home and industrial purpose.
- 2 Test Condition:
Irradiance 1000W/m²,Module Temperature 25°C, AM1.5

Engineering Drawings



12 12 Years Product Warranty

25 25 Years Linear Power Warranty

Environment Condition:

- 1.Storage: -20°C-60°C
- 2.Do not block, expose under sun light

Please Be Aware:

- 1.Do not apply exceeds standard rate of work.
2. Avoid any scratches during installation.
- 3.Do not bend during usage or transportation.
- 4.Do not contact with any strong corrosion materials.
5. Identify correct Positive and Negative polarity during installing.



Add: Shangman Industrial Park, Caobu Town
Rudong County, Nantong City, Jiangsu Province, China
Tel: 86-513-81900128
Web:www.techwisesolar.com
Email:salesdept@techwisesolar.com

All data and specifications included in this brochure may subject to be modified without notice.
All Rights reserved by TechWise Solar Co.
(Feb 2023 V2 Edition)