

PERC MONO-CRYSTALLINE MODULE

CE-380/385/390/395/400M72



Features

- High conversion efficiency through advanced manufacturing technology
- 12 years product warranty, 25 years linear performance warranty
- 3%- 5% positive tolerance ensures more power generated
- Withstand snow loads up to 5400Pa and wind loads up to 2400Pa under extreme temperature
- Anti-PID modules effectively reduce the loss in solar panel power output
- Anti salt mist corrosion & anti-ammonia corrosion test

Certificates

- Manufactured according to International Management System Standard
Quality Management system: ISO9001
Environmental Management System: ISO14001
- Certified and approved by CE, TUV, IEC 61215, IEC 61730

PERC MONO-CRYSTALLINE MODULE

CE-380/385/390/395/400M72



Electrical Characteristics under STC*

Module Type	CE-380M72	CE-385M72	CE-390M72	CE-395M72	CE-400M72
Maximum Power-Pmax (Wp)	380	385	390	395	400
Voltage at Maximum Power-Vmp (V)	40.5	40.8	41.1	41.4	41.7
Current at Maximum Power-Imp (A)	9.39	9.44	9.49	9.54	9.59
Open Circuit Voltage-Voc (V)	48.9	49.1	49.3	49.5	49.7
Short Circuit Current-Isc (A)	9.75	9.83	9.89	9.96	10.04
Module Efficiency-ηm (%)	19.16	19.42	19.67	19.92	20.17
Power Tolerance (%)	0/+3	0/+3	0/+3	0/+3	0/+3

Mechanical Characteristics

Cell Type	Mono-crystalline	158.75x158.75 mm
Number of Cells	72 (6x12)	
Dimension	1979x1002x30 mm	
Weight	23.0 kg	
Front Glass	Low Iron Tempered Glass	
Encapsulant	EVA	
Frame	Anodized Aluminum Alloy	

Temperature Characteristics

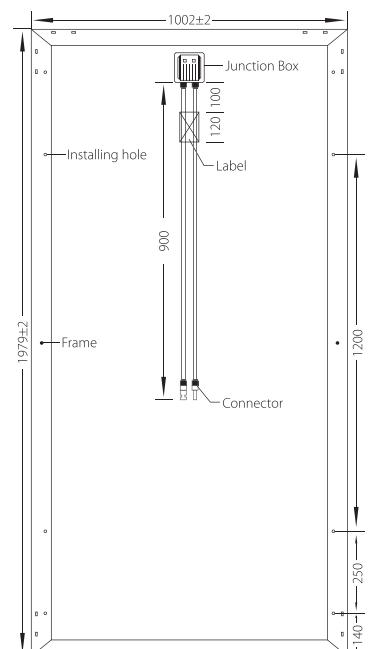
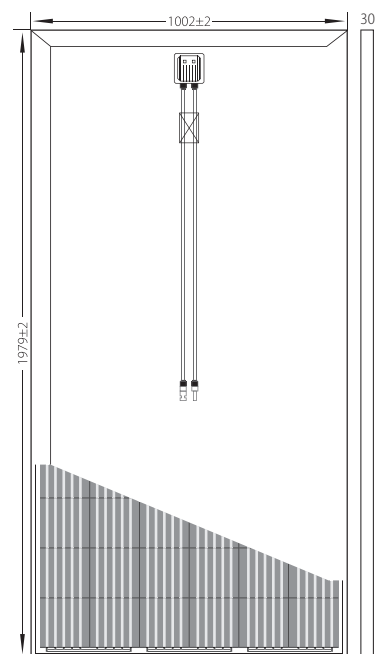
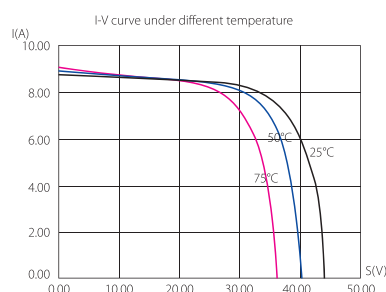
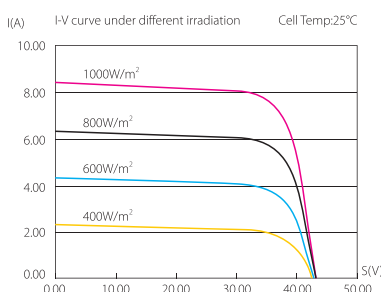
NOCT*	45±2°C
Temperature Coefficient of Pmax (%)	-0.37/°C
Temperature Coefficient of Voc (%)	-0.30/°C
Temperature Coefficient of Isc (%)	0.06/°C

Maximum System Ratings

Operating Temperature	-40°C to +85°C
Maximum System Voltage	1000/1500 V DC
Maximum Series Fuse Rating	20A

Warranty

12 years product warranty
12 years warranty on 90% power output
25 years warranty on 80% power output



*STC (Standard Testing Conditions): Irradiance 1000 W/m², cell temperature 25 °C, AM=1.5
ambient temperature 20 °C, wind speed 1 m/s

*NOCT (Nominal Operating Cell Temperature): Irradiance 800 W/m²,
The specifications in this datasheet are subjected to change without prior notice