

MONO N-TYPE FULL BLACK BIFACIAL

CE-420/425/430/435/440HM



HIGH EFFICIENCY

Powerful N-type topcon cells
Excellent module efficiency up to: 22.53%.



HIGH RELIABILITY

Superior craftsmanship, engineering excellence, and attention to the finest detail ensure longevity and optimal performance.



HIGH RETURN ON INVESTMENT

Reduction of balance-of-system-costs through higher performance per module.



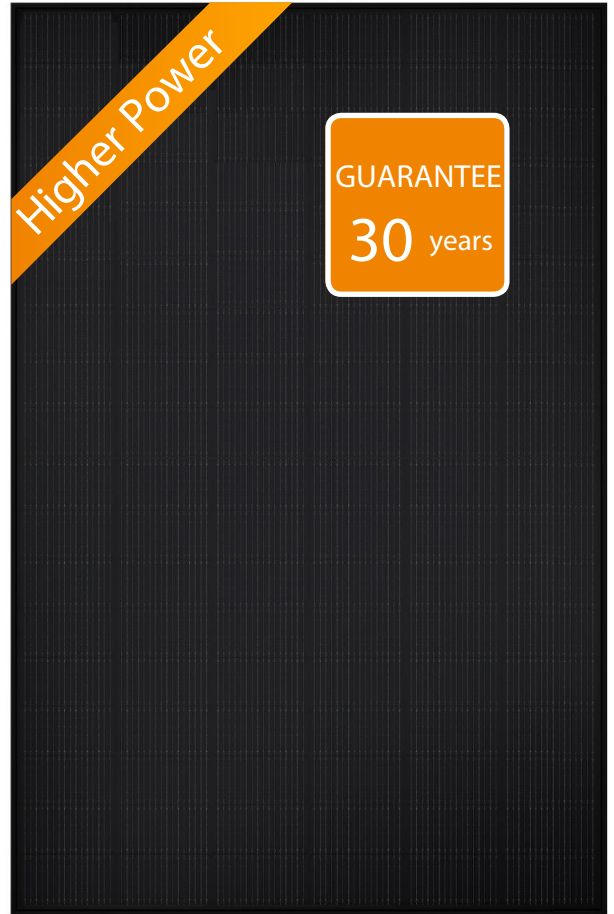
EXTREMELY ENVIRONMENTAL TESTING

Remain peak performance in extreme environments.
Class A fireproofing rating.



STRENGTH AND DURABILITY

Certified for 5400Pa snow and 3600Pa loads test.
Passed hail test with 35mm hail stones at 97 km/h.



CENTRO ENERGY ELECTRIC QUALITY

For more than 10 years, we have been perfecting our PV modules to bring you the highest quality products possible.

- Automated cell and module production lines ensure consistently high quality in every module.
- Each cell and module flash tested to ensure rated level of output.
- Aesthetically pleasing black frame and cells.
- Lead-free solder protects health and the environment.

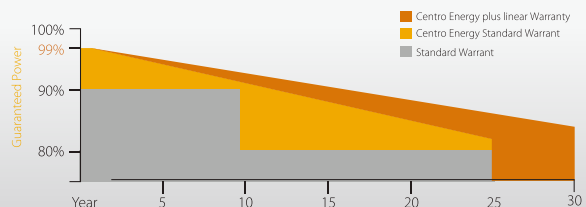
SYSTEM CERTIFICATION

ISO 9001: 2015
ISO 14001:2015

AUTHORISED PHOTOVOLTAIC CERTIFICATES



30 YEARS PERFORMANCE WARRANTY



MONO N-TYPE FULL BLACK BIFACIAL

CE-420/425/430/435/440HM

Electrical Data (at STC)

	CE-420HM	CE-425HM	CE-430HM	CE-435HM	CE-440HM
Max. power (Pmax) [W]	420	425	430	435	440
Max. power voltage (Vmp) [V]	31.63	31.84	32.04	32.25	32.45
Max. power current (Imp) [A]	13.28	13.35	13.42	13.49	13.56
Open circuit voltage (Voc) [V]	38.49	38.73	38.96	39.19	39.42
Short circuit current (Isc) [A]	13.99	14.06	14.13	14.20	14.27
Maximum Series Fuse Rating	30	30	30	30	30
Power tolerance [W]	0/+5	0/+5	0/+5	0/+5	0/+5
Max. system voltage [V]	1500	1500	1500	1500	1500
Solar panel efficiency [%]	21.51	21.76	22.02	22.28	22.53

Note: Standard Test Conditions: Air mass 1.5; Irradiance = 1000W/m²; cell temp. 25°C

Bifacial output-rearside power gain

5% Max. power (Pmax) [W]	441	446	452	457	462
Module efficiency STC(%)	22.58	22.85	23.12	23.39	23.66
15% Max. power (Pmax) [W]	483	489	495	500	506
Module efficiency STC(%)	24.73	25.03	25.32	25.62	25.91
25% Max. power (Pmax) [W]	525	531	538	544	550
Module efficiency STC(%)	26.89	27.21	27.53	27.85	28.17

Temperature characteristics

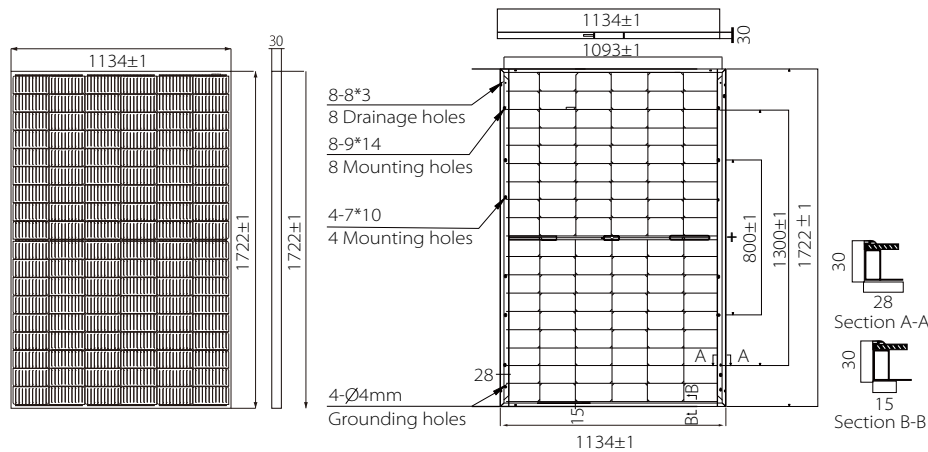
Temperature (NOCT) [°C]	45±2
Temp. coefficient of Pmax [%/°C]	-0.29
Temp. coefficient of Voc [V/°C]	-0.25
Temp. coefficient of Isc [mA/°C]	0.045

Warranty

12 years product warranty
12 years warranty on 92% power output
30 years warranty on 80% power output

Mechanical Data

Dimension	1722x1134x30mm
Weight	23.5Kg
Solar cell	N-type Mono
Front Glass	2.0mm coated semi-tempered glass
Back Glass	2.0mm semi-tempered glass
Junction Box	IP 68, three diodes
Cable	4mm ² , 300mm(+)/30mm(-)
Connector	MC4 Compatible



Electrical characteristics CE-425HM

