

Mono

Bifacial

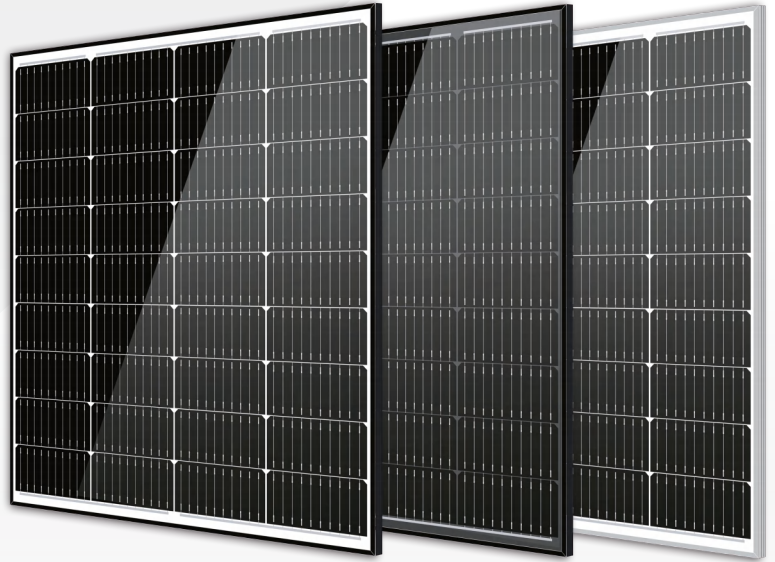
HORAY

Solar Creek

120–130 Watt

MONO-FACIAL MODULE

- IEC61215: 2021
- IEC61730: 2016
- TUV Rheinland Standard
- Lloyd'S Ariel Re
- Solar Performance Insurance
- ISO9001: 2015
- Quality Management System
- ISO14001:
- Environmental Management System
- CE: Europe Standard
- Inmetro Certificate
- ETL Certificate



KEY FEATURES



SBB/MBB

More uniform current collection capability, reducing the current heat loss of the internal cells.



Low Light Features

Higher performance under low light environment.



Higher Output Power

The output power of 36 half-cells Monocrystalline modules is up to 130W.



PID Protection

Ensure the attenuation probability caused by PID phenomenon is minimized.



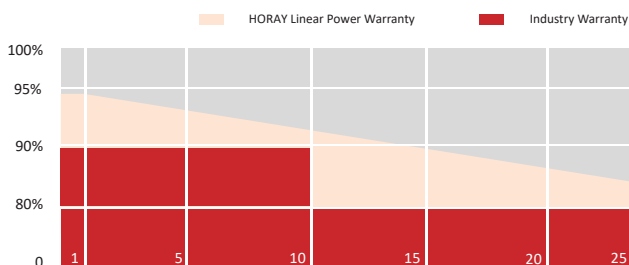
Harsh Environmental Adaptability

Strict salt spray and ammonia corrosion test by the third party.



Load Capacity

Mechanical load tests including wind load 2400 Pa and snow load 5400 Pa.



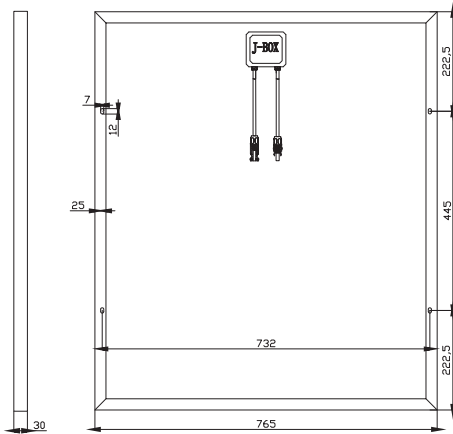
HEADQUARTER: HORAY SOLAR CO., LTD.

GLOBAL MARKETING AND SERVICE: HORAY SOLAR GMBH

✉ sales@horaysolar.com 🌐 www.horaysolar.com ☎ +86-510 83580688
 📍 NO.30-5, East Yanxin Road, Huishan District, Wuxi 214177 Jiangsu P.R China

✉ info@horaysolar.com 🌐 www.horaysolar.com
 📍 Lurgiallee 10-12 Frankfurt am Main 60439 Germany

MECHANICAL DIAGRAMS



SPECIFICATIONS

Weight	8.1kg
Dimension	890mm*765mm*30mm
Cell Dimension	182*91mm
Cell Amount	4*9 pcs
Maximum System Voltage	1500V
Junction Box	IP67
Frame	Aluminum Alloy
Cable	Length can be customized
Connector	MC4 compatible
Application Level	Class A

ELECTRICAL PARAMETERS AT STC

Module Type	HS120-MHO	HS125-MHO	HS130-MHO
Power	120W	125W	130W
Open Circuit Voltage	25.20V	25.68V	25.80V
Short Circuit Current	5.98A	6.19A	6.41A
Maximum Power Voltage	21.30V	21.40V	21.50V
Maximum Power Current	5.64A	5.84A	6.05A
Module Efficiency	17.63%	18.36%	19.09%

* Under Standard Test Conditions (STC) of irradiance of 1000 W/m², spectrum AM 1.5 and cell temperature of 25°C.

ELECTRICAL PARAMETERS AT NMOT

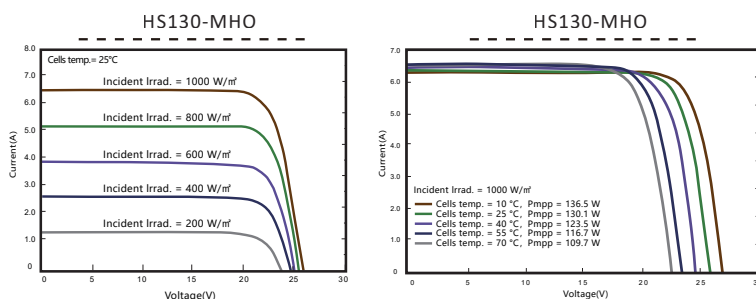
Power	91W	95W	99W
Open Circuit Voltage	24.22V	24.41V	24.54V
Short Circuit Current	4.78A	4.95A	5.13A
Maximum Power Voltage	20.18V	20.34V	20.45V
Maximum Power Current	4.51A	4.67A	4.84A
Module Efficiency	13.37%	13.95%	14.54%

* Under Nominal Module Operating Temperature (NMOT), irradiance of 800 W/m², spectrum AM 1.5, ambient temperature 20°C, wind speed 1 m/s.

TEMPERATURE CHARACTERISTICS

NMOT	45±2°C	Temp Coefficient of ISC	+0.05%/°C
Temp Coefficient of VOC	-0.28%/°C	Temp Coefficient of Pmax	-0.34%/°C

IV CHARACTERISTICS



MAXIMUM RATING

Power selection	0~+5W
Measuring uncertainty of Pm	0~±3%
Operating Temperature	-40°C~+85°C
Wind Load/Snow Load	2400pa/5400pa
Fuse Current	15A

5 YEARS Quality Warranty

25 YEARS Power Warranty

CAUTION: READ SAFETY AND INSTALLATION INSTRUCTIONS BEFORE USING THE PRODUCT.

©2023 Horay Solar Co.,Ltd. All rights reserved. Specifications included in this datasheet are subject to change without notice.

Version number: MHO_EN_2023_A