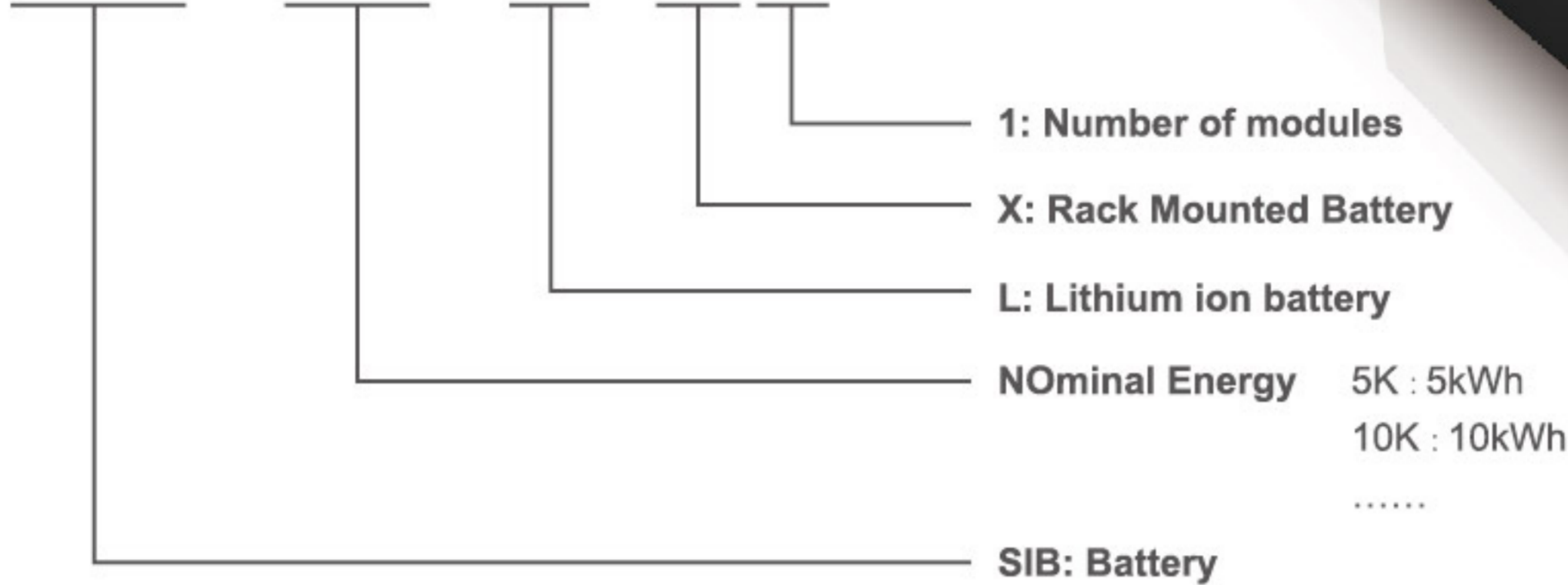


Rack Mounted Battery

SIB - 5K - L - X1



Model	SIB-5K-L-X1	SIB-10K-L-X2	SIB-15K-L-X3	SIB-20K-L-X4	SIB-25K-L-X5	SIB-30K-L-X6
SYSTEM DATA						
Battery chemistry	Lithium Iron Phosphate (LiFePO4)					
Number of modules	1	2	3	4	5	6
Nominal energy	5.04kWh	10.08kWh	15.12kWh	20.16kWh	25.20kWh	30.24kWh
Usable energy	4.54kWh	9.07kWh	13.61kWh	18.14kWh	22.68kWh	27.22kWh
Rated charge/discharge power	2.52kW	5.04kW	5.04kW	5.04kW	5.04kW	5.04kW
Max. charge/discharge power(@5min)	5.04kW	10.08kW	10.08kW	10.08kW	10.08kW	10.08kW
Peak charge/discharge power(@60s)	8.06kW	16.12kW	16.12kW	16.12kW	16.12kW	16.12kW
Dimension (W*D*H)	518*480*150mm	518*480*320mm	518*480*470mm	518*480*620mm	518*480*770mm	518*480*920mm
Weight	46kg	92kg	138kg	184kg	230kg	276kg
Nominal voltage	48V					
Operating voltage range	42-54V					
Rated charge/discharge current	50A	100A	100A	100A	100A	100A
Max. charge/discharge current (@5min)	100A	200A	200A	200A	200A	200A
Battery roundtrip efficiency	95%					
Max. depth of discharge(DOD)	90%					
ENVIRONMENT LIMIT						
Operating temperature range(charge)	0~ 50°C					
Operating temperature range(discharge)	-20~55°C					
Storage temperature	-20~45°C					
Recommended storage temperature	-20~35°C					
Humidity	5%~95%					
Altitude	< 2000m					
COMMUNICATION AND USER INTERFACE						
Communication port	CAN,RS485					
Indicator	SOC: 5 LED (20 %, 40 %, 60 %, 80 %, 100 %); Status: 2 LED (running and alarm)					
System switch (ON / OFF)	Power button					
GENERAL DATA						
Design Life	10+Years					
Cycle Life	>6000cycles,@0.5C @25°C DOD 90%					
Cooling concept	Natural convection					
CERTIFICATE						
Enclosure protection rating	IP20					
Safety	IEC62619					
EMC	EN61000-6-1 / EN61000-6-2 / EN61000-6-3 / EN61000-6-4 / EN61000-3-2 / EN61000-3-3 / EN61000-3-11 / EN61000-3-12					
Transport	UN38.3					