

Micro Sun Series

Monocrystalline
39 - cell Module

TW-180MM

180W

0-3% Positive Tolerance



Monocrystalline

Grade A

• Quality Certification



Scope:

This Product Specification indicates the details of this product's Scale, Performance, and Lab Test results.

• Module Specification •

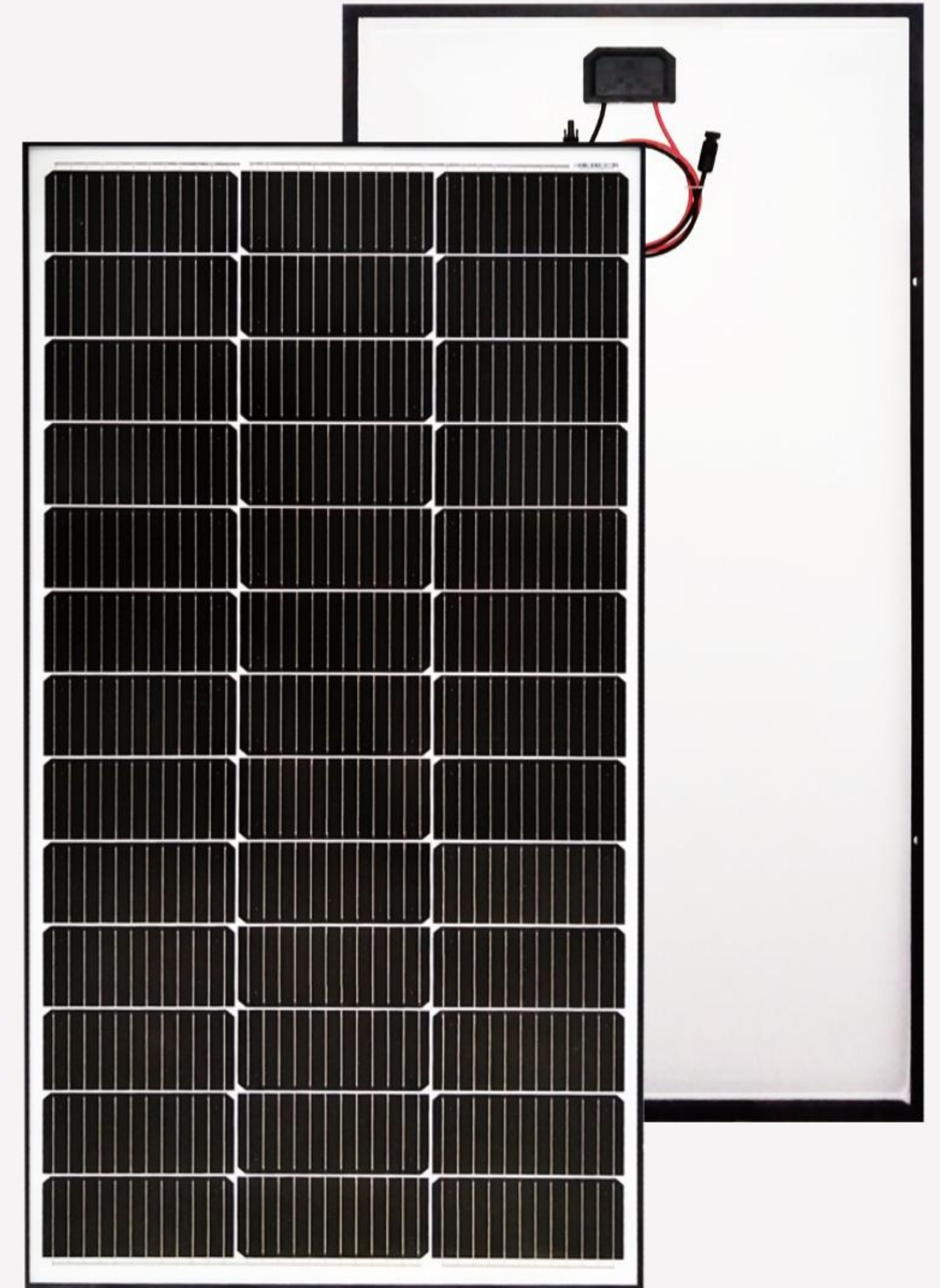
Module Size	1480*680*35mm
Weight	9.2kg
Cell Type	Mono crystalline 210*105mm, 39 Pieces(3*13)
Glass	3.2mm
Frame	Anodized aluminum alloy
Junction Box	Ip68
Module Material	EVA, PET/TPT
Cable	4mm ² , MC4 compatible

• Electrical Characteristics •

Voc(V)	26.86V
Isc(A)	8.34A
Vmp(V)	22.04V
Imp(A)	7.90A
Pmax(W)	180W
Temp	-45°C-+85°C

• Temperature Characteristics •

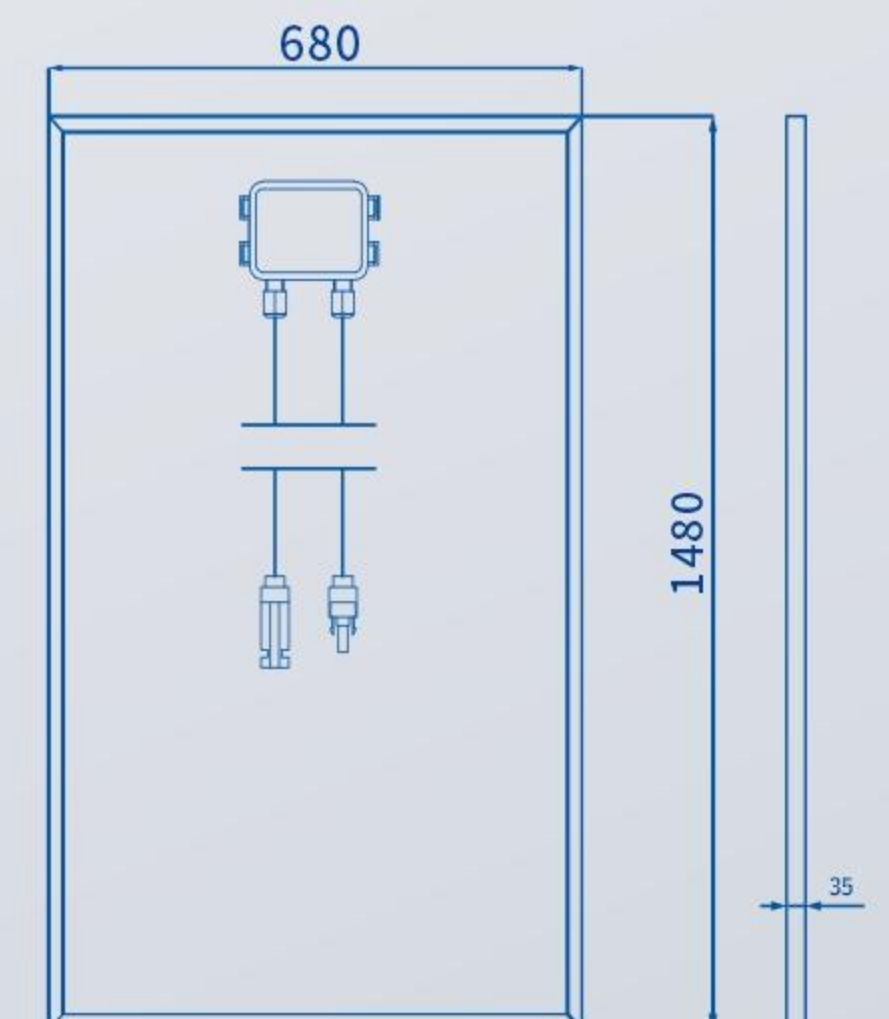
Power Tolerance	±5%
Max.Power Temp.	-0.350%/C
Open circuit Voltage Temp.	-0.275%/°C
Shot circuit current Temp.	+0.046%/°C
Max.System Voltage(V)	1000V



General Specification:

- 1 Scope of Product Application:
This Product is applicable in Solar Module matrix and Solar System for both domestic home and industrial purpose.
- 2 Test Condition:
Irradiance 1000W/m², Module Temperature 25°C, AM1.5

Engineering Drawings



12 Years Product Warranty

25 Years Linear Power Warranty

Environment Condition:

- 1.Storage: -20°C-60°C
- 2.Do not block, expose under sun light

Please Be Aware:

- 1.Do not apply exceeds standard rate of work.
2. Avoid any scratches during installation.
- 3.Do not bend during usage or transportation.
- 4.Do not contact with any strong corrosion materials.
5. Identify correct Positive and Negative polarity during installing.