

Hi-MO X6 Explorer

LR5-66HTH 520~540M

- Suitable for Distribution Market
- Simple design embodies modern style
- Better energy generation performance
- High-quality module guarantees long-term reliability

15

15-year Warranty for
Materials and Processing

25

25-year Warranty for Extra
Linear Power Output

Complete System and Product Certifications

IEC 61215, IEC 61730, UL 61730

ISO9001:2015: ISO Quality Management System

ISO14001: 2015: ISO Environment Management System

ISO45001: 2018: Occupational Health and Safety

IEC62941: Guideline for module design qualification and type approval

LONGI



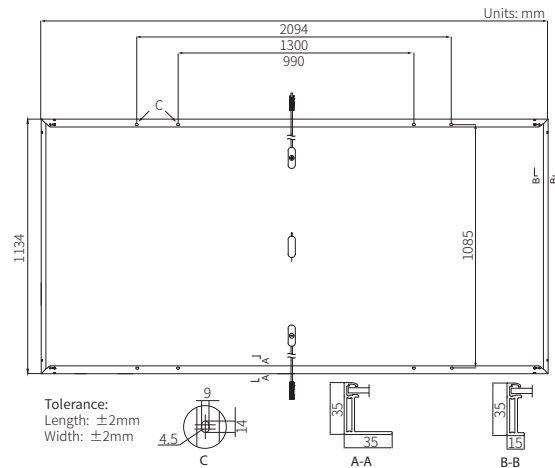
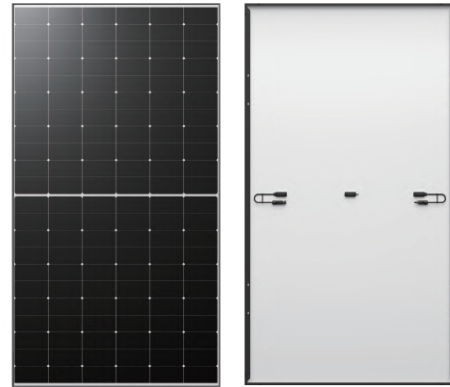
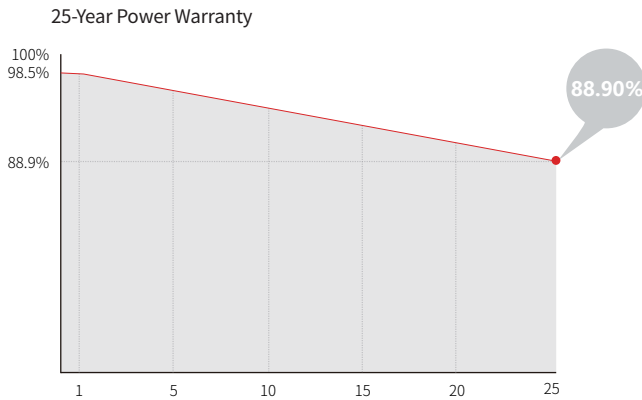
22.7%
MAX MODULE
EFFICIENCY

0~3%
POWER
TOLERANCE

<1.5%
FIRST YEAR
POWER DEGRADATION

0.40%
YEAR 2-25
POWER DEGRADATION

Additional Value



Mechanical Parameters

| | |
|------------------|---|
| Cell Orientation | 132 (6×22) |
| Junction Box | IP68 |
| Output Cable | 4mm ² , +400, -200mm/±1400mm length can be customized |
| Glass | Single glass, 3.2mm coated tempered glass |
| Frame | Anodized aluminum alloy frame |
| Weight | 26.0kg |
| Dimension | 2094×1134×35mm |
| Packaging | 31pcs per pallet / 155pcs per 20' GP / 682pcs per 40' HC |

Electrical Characteristics

STC: AM1.5 1000W/m² 25°C

NOCT: AM1.5 800W/m² 20°C 1m/s

Test uncertainty for Pmax: ±3%

| Module Type | LR5-66HTH-520M | | LR5-66HTH-525M | | LR5-66HTH-530M | | LR5-66HTH-535M | | LR5-66HTH-540M | |
|----------------------------------|----------------|-------|----------------|-------|----------------|-------|----------------|-------|----------------|-------|
| | STC | NOCT | STC | NOCT | STC | NOCT | STC | NOCT | STC | NOCT |
| Maximum Power (Pmax/W) | 520 | 388.6 | 525 | 392.3 | 530 | 396.0 | 535 | 399.8 | 540 | 403.5 |
| Open Circuit Voltage (Voc/V) | 48.27 | 45.32 | 48.42 | 45.46 | 48.57 | 45.60 | 48.72 | 45.75 | 48.87 | 45.89 |
| Short Circuit Current (Isc/A) | 13.84 | 11.18 | 13.93 | 11.25 | 14.00 | 11.31 | 14.07 | 11.37 | 14.15 | 11.43 |
| Voltage at Maximum Power (Vmp/V) | 39.91 | 36.42 | 40.06 | 36.55 | 40.22 | 36.70 | 40.38 | 36.85 | 40.53 | 36.99 |
| Current at Maximum Power (Imp/A) | 13.03 | 10.68 | 13.11 | 10.74 | 13.18 | 10.80 | 13.25 | 10.86 | 13.33 | 10.92 |
| Module Efficiency(%) | 21.9 | | 22.1 | | 22.3 | | 22.5 | | 22.7 | |

Operating Parameters

| | |
|------------------------------------|-------------------------------|
| Operational Temperature | -40°C ~ +85°C |
| Power Output Tolerance | 0 ~ 3% |
| Maximum System Voltage | DC1500V (IEC/UL) |
| Maximum Series Fuse Rating | 25A |
| Nominal Operating Cell Temperature | 45±2°C |
| Protection Class | Class II |
| Fire Rating | UL Type 1 or 2 IEC Class C |

Mechanical Loading

| | |
|-----------------------------------|--------------------------------------|
| Front Side Maximum Static Loading | 5400Pa |
| Rear Side Maximum Static Loading | 2400Pa |
| Hailstone Test | 25mm Hailstone at the speed of 23m/s |

Temperature Ratings (STC)

| | |
|---------------------------------|------------|
| Temperature Coefficient of Isc | +0.050%/°C |
| Temperature Coefficient of Voc | -0.230%/°C |
| Temperature Coefficient of Pmax | -0.290%/°C |