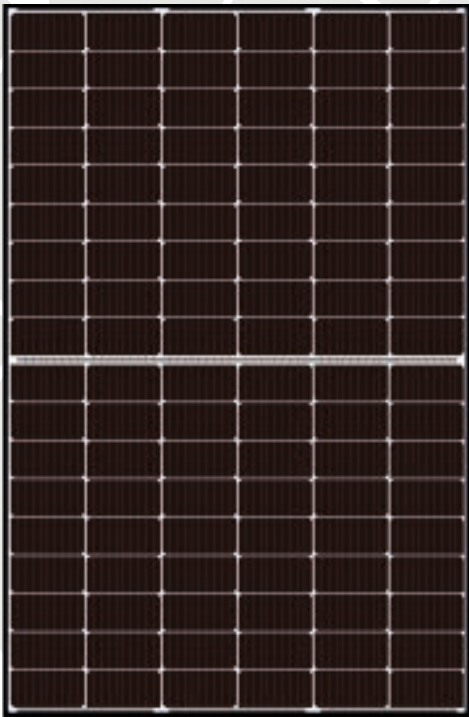




X-HALF CUT Monocrystalline

400 - 405 - 410 - 415 Wp



Half-cut PERC cells Multi Busbar



High Voltage 1500 Vdc



0/+5W
Power tolerance



15 YEARS
Product Warranty



25 YEARS
Linear Warranty



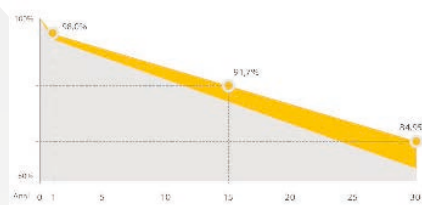
Max efficiency 21,25%



Extremely low Temp.
Coefficient -0.32%/ °C

X-HALF CUT is one of a wide range of SUNERG's product. It is manufactured according to IEC 61215, IEC 61730 and CE standards. The innovative multi busbar half-cells guarantee high power per unit, reduce the risk of micro-crack, mismatch and shadow loss, so increasing the reliability of the module.

LINEAR WARRANTY



- look warranty terms -

CORRESPOND TO

IEC 61215 | IEC 61730 | PV CYCLE | CE |

UNI EN ISO 9001:2008
UNI EN ISO 14001:2004
UNI EN ISO 45001:2018

| Quality management system
| Standards for environmental management system
| International standards for occupational health and safety

ELECTRICAL DATA (STC)		XMHC108400KBW+H	XMHC108405KBW+H	XMHC108410KBW+H	XMHC108415KBW+H
Open circuit Voltage	(Voc)	37.07 V	37.23 V	37.35 V	37.46 V
Voltage a Pmax.	(Vmp)	31.01 V	31.21 V	31.42 V	31.61 V
Short-circuit current	(Isc)	13.79 A	13.87 A	13.95 A	14.02 A
Current at Pmax.	(Imp)	12.90 A	12.98 A	13.05 A	13.13 A
Peak Power (Pmax) Tolerance		400 Wp	405 Wp	410 Wp	415 Wp
Module Efficiency		20.48 %	20.74 %	21.00 %	21.25 %
Maximum voltage		1500 V DC			
Maximum series fuse rating		25 A			
Operating Temperature		-40°C - +85°C			

* STC (Standard test conditions)

Tolerance electric measurement ±3%

Irradiance 1000 w/m², Temperature 25°C, AM = 1.5

TEMPERATURE COEFFICIENT

NOCT	45 ± 2 C
Pmax Temperature Coefficient	-0.32%/ °C
Voc Temperature Coefficient	-0.26%/ °C
Isc Temperature Coefficient	0.052% / °C

MECHANICAL CHARACTERISTIC

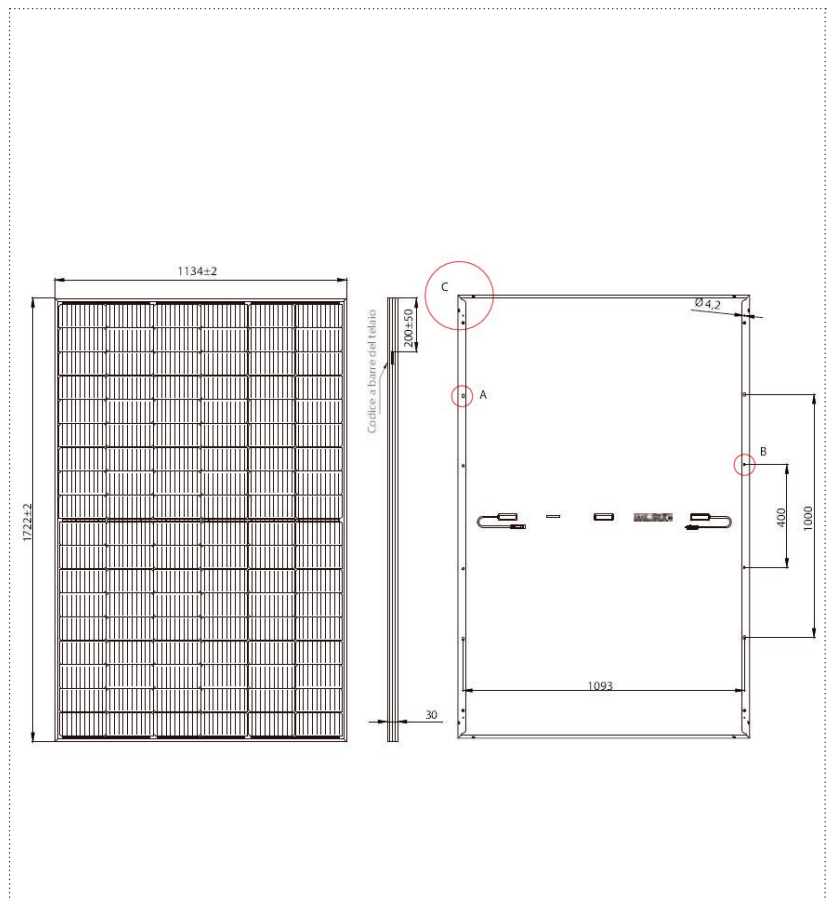
Dimensions (mm)	1722 x 1134 x 30
Weight (Kg)	20.8
Solar cells type	Mono 182x 91 mm
N. solar cells	108
Max. surface load capacity	5400 Pa / 2400 Pa

PACKING CONFIGURATION

Module per Pallet	36 pcs.
Modules per container 40'HQ	936 pcs.

GENERAL INFORMATION

Glass	antireflex-coated, high transmission, tempered glass 3.2 mm
Frame	anodized aluminum alloy
Juntion Box	IP68, 3 bypass diodes
Output Cable	4.0mm ² , 300mm/1200mm (customized)
Connectors	MC4 (MC4 compatible)



Sunerg Solar S.r.l. reserves the right to make changes to the technical data of the product without prior notice.

The technical details of the form, although included with the utmost care, may contain errors or inaccuracies not attributable to Sunerg Solar S.r.l.