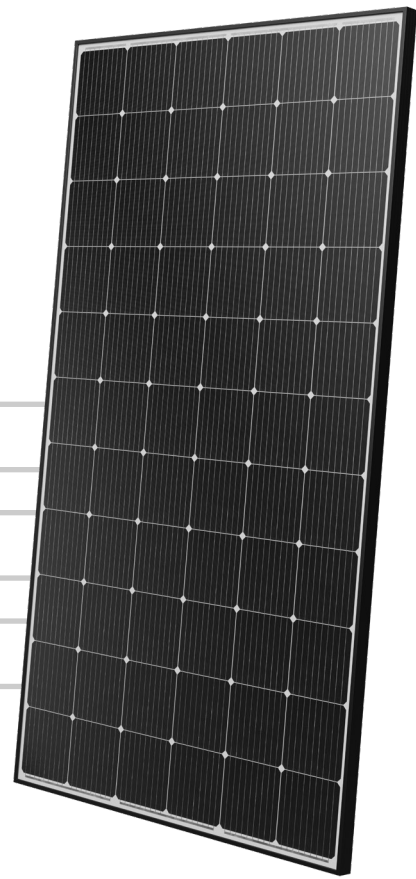


MONO 66 SOLAR LINE

30 YEARS
LINEAR POWER
WARRANTY

30 YEARS
PRODUCT WARRANTY

SCM6-400



HAILSTORM RESISTANCE

ULTRA-LIGHT ALUMINUM FRAME

ANTI-REFLECTIVE GLASS



PERC TECHNOLOGY

Passivated Emitter and Rear Cell

SOLAR CALL believes in technological innovation aimed at the continuous improvement of its products. Therefore we deploy PERC technology cells for our monocrystalline modules, which allow to achieve higher efficiency.

MONOCRYSTALLINE SOLAR MODULE

You don't have enough room for your system, yet you don't want to compromise energy efficiency? SOLAR CALL is the right fit for you!

- High efficiency: with the dimensions of a 60 cell solar module, these panels can reach an extremely high power output thanks to the use of high-efficiency cells.
- Captivating design: SOLAR CALL's monocrystalline solar panel has been designed to be exceptionally elegant and sober, perfect for each kind of roof. The black frame adds to its refined aesthetics.
- Maximum stability and strength: we employ top-quality materials for our products, thus ensuring their long-lasting reliability and their stability in any environmental conditions.

66 CELLS

66

MONO M6

M

9 BUS BAR

9

BLACK
FRAME



WHITE
BACKSHEET



ELECTRICAL CHARACTERISTICS (STC)*

Nominal Output (Pmax)**	400 W
Flash Test Power Tolerance	0/+5 W
Voltage at Pmax (Vmp)	38.00 V
Current at Pmax (Imp)	10.53 A
Open Circuit Voltage (Voc)**	45.60 V
Short Circuit Current (Isc)**	11.16 A
Maximum System Voltage	1500 V
Maximum Series Fuse Rating	15 A
Module Efficiency	20.09%
Safety class	Class II

*STC: (Standard Test Condition) Irradiance 1000W/m²; Module Temperature 25°C; Air Mass 1.5

**Pmax, Voc, Isc measurement tolerance: ±3%

SCM6-400

MECHANICAL CHARACTERISTICS

Solar Cells	66 (6 x 11) M6 monocrystalline	Diodes	3 Bypass diodes serviceable
Solar Cells Size	166x166 mm / 6.53x6.53"	Junction Box	IP67 rated
Front Cover	3.2 mm / 0.13" thick, low iron tempered glass	Connector	MC4 or compatible connector
Back Cover	TPT (Tedlar-PET-Tedlar)	Cables Length	1100 mm / 43.31"
Encapsulant	EVA (Ethylene vinyl acetate)	Cables Section	4.0 mm ² / 0.006 in ²
Frame	Anodized aluminium alloy, double wall	Dimensions	1900x1048x40 mm / 74.80x41.25x1.57"
Frame finishing	Black	Weight	22 kg / 48.5 lbs
Backsheet finishing	White	Max. Load (Test Load) - SF	5400 Pa - 1.5

TEMPERATURE CHARACTERISTICS

Temperature Coefficient of Pmax	-0.37 %/°C	Operating Temperature	-40 °C ~ +85 °C
Temperature Coefficient of Voc	-0.28 %/°C	NMOT***	45±2 °C
Temperature Coefficient of Isc	0.042 %/°C		

***NMOT: Nominal Module Operating Temperature: Sun 800W/m²; Air 20°C; Wind speed 1m/s

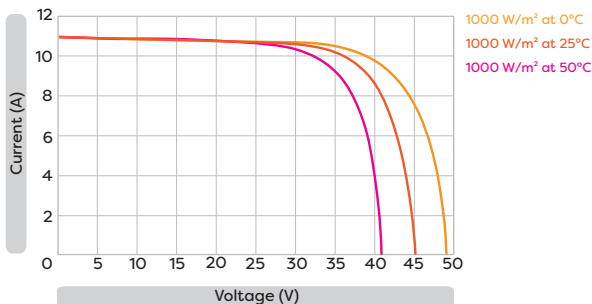
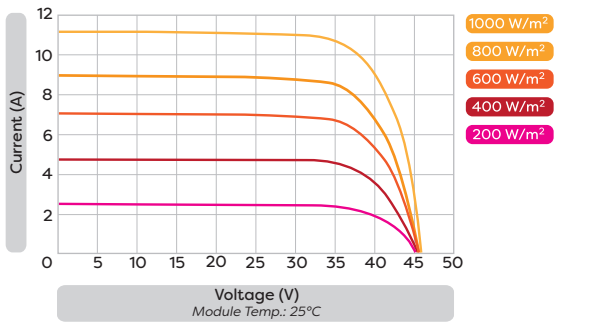
PACKAGING

Pallet dimensions	1950x1200x1210 mm / 76.77x47.24x47.64"	Weight	610 Kg / 1344 lbs
Pieces per pallet	27	Pallets Stacked	2 pallets maximum

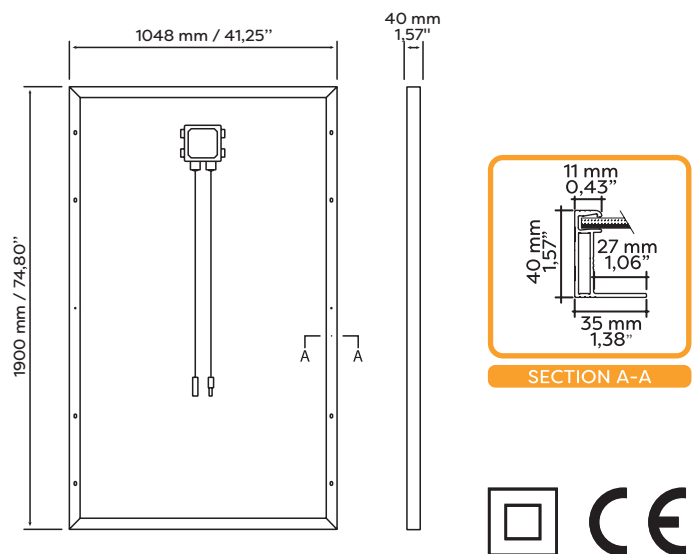
CERTIFICATIONS

Fire resistance rating	1 (UNI 9177)
------------------------	--------------

CURRENT/VOLTAGE CHARACTERISTICS



DIMENSIONS



It is important to point out, that all technical specifications, information and figures contained in this datasheet are estimated values. We reserve the right to change the technical specifications, information and figures contained in this document at any time and without notice.

EN 01/2024 V02

 SOLARCALL

info@solarcall.it • www.solarcall.it