

# PROwatt SWi INVERTER DATASHEET



AVAILABLE IN:

12 V

700 W

1400 W

2000 W

## PROVIDES 700, 1400 AND 2000 WATTS OF TRUE SINE WAVE AC POWER

The PROwatt SW Series feature true sine wave 230 Vac output with 700, 1400 and 2000 watts respectively. With high surge capability, the PROwatt SW Series provides the necessary current to start-up demanding electrical loads. The PROwatt SW Series products are available with three different socket types: Schuko, UK and Australian. The PROwatt SW Series offers many safety features not found in similar inverters. When equipped with the PROwatt SW Remote Panel (808-9001), the PROwatt SW Series has the ability to provide automatic ignition lockout shutting down the inverter's output when the vehicle's ignition is not engaged.

The compact, easy-to-use and easy-to-install design of the PROwatt SW Series makes it ideal for use in commercial truck, RV and marine applications. With True Sine-Wave output, the PROwatt SW Series can provide power for all types of electrical loads including, variable speed power tools, advanced electrical appliances, microwaves and much more. The PROwatt SW provides household AC power anywhere.



Exceptional full rated performance in all climate temperatures



True sine wave output for sensitive and motor loads



Ignition control feature turns inverter on/off via 12 Vdc signal<sup>1</sup>

### APPLICATIONS:



**2 YEAR  
WARRANTY**

[www.xantrex.com](http://www.xantrex.com)  
CUSTOMER CARE: 1.800.670.0707

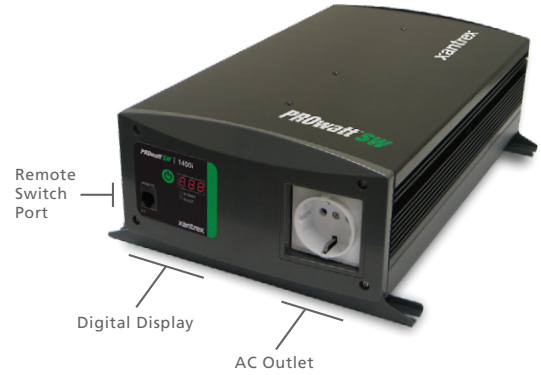


700W

1400W

2000W

TOP VIEW



Remote Switch Port

Digital Display

AC Outlet

SIDE VIEW

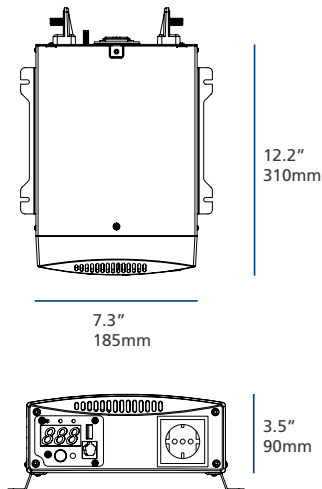
## PRODUCT FEATURES

- 700 / 1400 / 2000 watts maximum, 1400 / 2800 / 4000 watt surge capability
- Built-in digital display for DC volts and output power
- Heavy duty terminals for trouble-free battery connection
- Available ON/OFF remote switch (with ignition lockout)

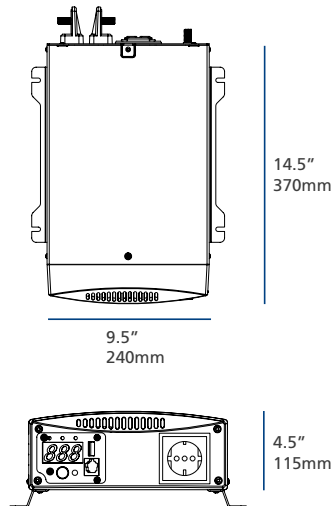
## PROTECTION FEATURES

- Low voltage shutdown (10.5 Vdc)
- Low voltage alarm (11.0 Vdc)
- Over voltage protection (15.0 Vdc)
- Overload shutdown
- Over temperature shutdown

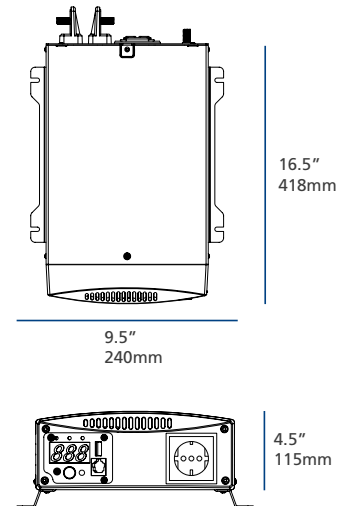
### PROwatt SW 700i DIMENSIONS



### PROwatt SW 1400i DIMENSIONS



### PROwatt SW 2000i DIMENSIONS



## ACCESSORIES

Mfg Part #	Description
808-9001	PROwatt SW Remote Panel (with 25' remote cable)
31-6262-00	50' remote cable

## ELECTRICAL SPECIFICATIONS

	PROwatt SW 700i	PROwatt SW 1400i	PROwatt SW 2000i
Continuous Power	700 W	1400 W	2000 W
Surge Capacity (peak)	1400 W	2800 W	4000 W
DC Input Voltage	12 Vdc	12 Vdc	12 Vdc
AC Output Frequency	50 ± 0.5 Hz	50 ± 0.5 Hz	50 ± 0.5 Hz
AC Output Voltage Range	230 Vac ± 10%	230 Vac ± 10%	230 Vac ± 10%
Output Waveform	True Sine Wave	True Sine Wave	True Sine Wave
Optimum Efficiency	90%	90%	90%
No Load Current Draw	< 1000mA	< 1000mA	< 1000mA
Input Voltage Range	10.5–15.5 VDC	10.5–15.5 VDC	10.5–15.5 VDC
Low Battery Alarm	Audible, 11 Vdc	Audible, 11 Vdc	Audible, 11 Vdc
Low Battery Cutout	10.5 Vdc	10.5 Vdc	10.5 Vdc

## GENERAL SPECIFICATIONS

	PROwatt SW 700i	PROwatt SW 1400i	PROwatt SW 2000i
Operating Temperature Range	32°F–104°F (0°C–40°C)	32°F–104°F (0°C–40°C)	32°F–104°F (0°C–40°C)
AC Receptacle*	Schuko	Schuko	Schuko
DC Connection	Hardwire	Hardwire	Hardwire
Digital Display	DC Voltage AC output power and error codes	DC Voltage AC output power and error codes	DC Voltage AC output power and error codes
Part Number	806-1206-01	806-1210-01	806-1220-01
Dimensions (H x W x L)	3.5 x 7.3 x 12.2" (89 x 185 x 310 mm)	4.5 x 9.5 x 14.5" (115 x 240 x 370 mm)	4.5 x 9.5 x 16.5" (115 x 240 x 418 mm)
Net Weight	5.9lb (2.7 kg)	10.2lb (4.6 kg)	12.1lb (5.5 kg)

## REGULATORY APPROVALS

	PROwatt SW 600, 1000, 2000
E-mark, CE marking to the following directives:	Low voltage directive 2006/95/EC - EN 50178:1997
EMC	EMC Directive 2004/108/EC (RD 1580/2006)) - EN 61000-6-1:2007 and EN 61000-6-3:2007

Note: Specifications subject to change without notice.

\*Also available in UK or AUS/NZ receptacle

## CONTACT

### CUSTOMER SERVICE

1.800.670.0707  
 customerservice@xantrex.com  
**Hours of operation:**  
 6:30am - 4:30pm PST, Monday to Friday



facebook.com/Xantrex



@Xantrex



youtube.com/XantrexTechnology

### LEARN MORE ON:

www.xantrex.com