

◀ MONOFACIAL ▶



DESERV[®] SGALACTIC 144X 560 WP - 600 WP



OUTPUT
Up to 600 Wp



EFFICIENCY
UP TO 23.26%



**TEMPERATURE
COEFFICIENT** -0.29 %/°C



WARRANTY
12-year of product
30-year of power output

*Module image for representation purpose only



World-class products, Made in India

- **Smart:** High module efficiency with 144X half-cut Mono crystalline TopCon Solar Cell
- **Modern:** Processed on state-of-the-art technology production lines
- **Dependable:** Use of highest quality raw materials coupled with rigorous in-house testing
- **Versatile:** Suitable for Utility, Rooftop, and other general applications

Certifications:

- IEC Compliant
- IMS Certified Company - ISO 9001: 2015
- OHSAS 45001: 2018
- EMS - ISO 14001: 2015
- Independently audited by SOLARBUYER
- BIS Number R-63000760 (560 Wp-600 Wp)



RenewSys is the first integrated manufacturer of Solar PV Modules and its key components - Encapsulants (EVA and POE), Backsheets and Solar PV Cells. We have a global presence with offices in India, Mauritius, Nigeria, South Africa, Singapore, UAE, representatives in Europe, USA, Mexico, and an evolving distributor network.

Registered Office: Unit No. 607, 6th Floor,
Trade Center, Bandra-Kurla Complex, Bandra
East, Mumbai - 400 051, Maharashtra, India.

Factory: Plot No. E-141, Additional Patalganga MIDC
Industrial Area, Village - Karade Khurd, Taluka Panvel,
District Raigad - 410 206, Maharashtra, India.

Factory: Plot No.6, Survey # 114/P, Srinagar Village,
Maheshwaram Mandal, Dist - Rangareddy,
Hyderabad - 501 359, Telangana, India.

Performance under standard test conditions (1000w/m², AM 1.5, 25 °C)

DESERV SGalactic 144	560	565	570	575	580	585	590	595	600
Rated power (Pmax), Wp	560	565	570	575	580	585	590	595	600
Max. power voltage (Vmp), V	42.65	42.87	43.05	43.28	43.50	43.74	43.93	44.16	44.37
Max. power current (Imp), A	13.14	13.19	13.24	13.29	13.34	13.38	13.44	13.48	13.53
Open circuit voltage (Voc), V	52.02	52.30	52.50	52.78	53.03	53.27	53.51	53.75	54.00
Short circuit current (Isc), A	13.69	13.75	13.80	13.85	13.89	13.93	13.97	14.01	14.05
Module efficiency (%)	21.71	21.90	22.09	22.29	22.48	22.68	22.87	23.06	23.26

Test uncertainty for Pmax ± 3%

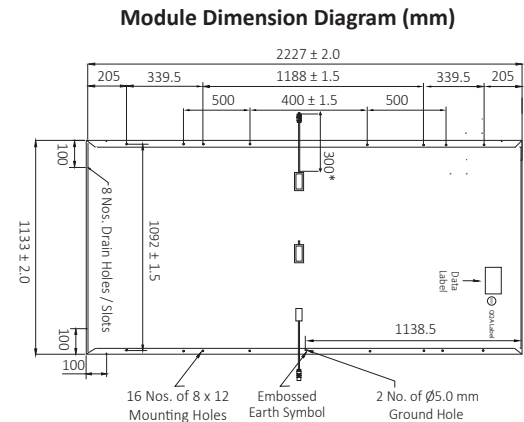
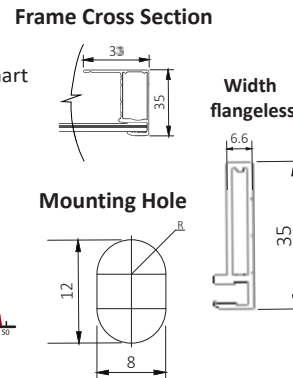
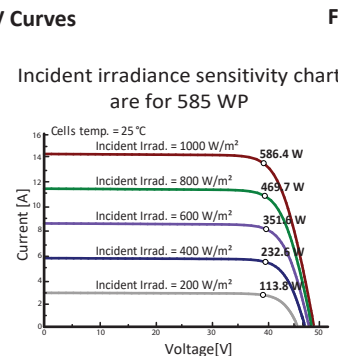
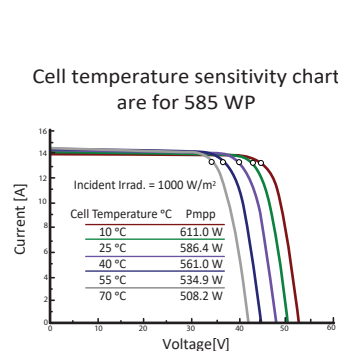
NOCT (Wp) at 45 ± 2 °C @800 W/m ²	560	565	570	575	580	585	590	595	600
Pmax (W)	416.77	420.49	424.21	427.93	431.65	435.38	439.10	442.82	446.54
Max. power voltage (Vmp), V	39.01	39.21	39.38	39.58	39.78	49.00	40.18	40.39	40.58
Max. power current (Imp), A	10.69	10.74	10.78	10.82	10.86	10.89	10.94	10.97	11.01
Open circuit voltage (Voc), V	48.37	48.63	48.82	49.08	49.30	49.53	49.76	49.98	50.21
Short circuit current (Isc), A	11.18	11.23	11.27	11.31	11.34	11.38	11.41	11.44	11.47

Mechanical Characteristics	
Cable	No. 12 AWG, 4mm ² , (300mm Standard)
PV Connectors	MC4 Compatible
Frame	Anodized Aluminum Alloy
Junction box	IP68 Split junction box with 3 bypass diodes
Glass	3.2mm Thick low iron tempered

Operating Conditions	
Temperature, °C	-40 to +85
Max. system voltage, Vdc	1500
Hail impact velocity, m/sec	23
Max. surface load capacity, Pa	5400
Max. wind speed capacity, Pa	2400
Series fuse rating, A	25

Physical Parameters	
No. of cells	144
Module dimension (mm)	2277 X 1133 (± 2)
Module thickness (mm)	35
Approximate weight (kg)	28.7

Cell Temperature Coefficient	Mono Facial
Open circuit voltage	-0.25 % / °C
Short circuit current	+0.05 % / °C
Peak power	-0.29 % / °C



- Please refer to the installation manual for detailed information.

*Due to continuous product updation, specifications may change without notice. Kindly refer to the website for latest information: www.renewsysworld.com

*Recycle Responsibly/RenewSys Recommends recycling in accordance with local government e-waste notifications.

*Standard frame : Width side frame cross section is flange less, Flange is available on request.