

## CNFJ series sealed lead acid battery

The CNFJ series is suitable for medium and low depth of discharge applications. The product uses a nanogel electrolyte with a dedicated deep cycle formulation. CNFJ series has high charging efficiency at extremely low charging current, and has excellent resistance to overcharge and overdischarge. This range of products is suitable for photovoltaics, wind power systems and similar cyclic applications.

**12 V** voltage    **80Ah** capacity    circular technology    **12 years** design life



### TECHNICAL SPECIFICATIONS

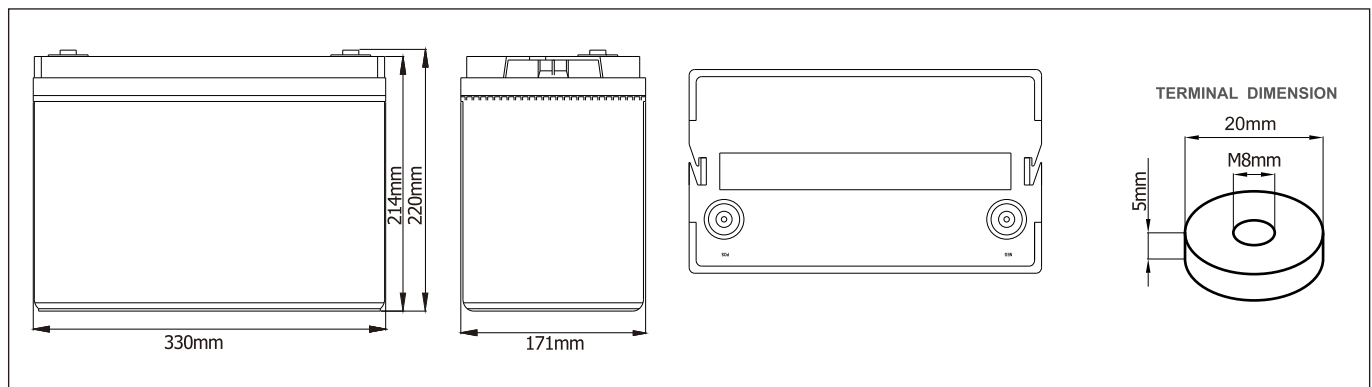
Nominal Voltage (V)	12 (6 cells per unit)
Designed Floating Life (20°C)	12 Years
Nominal Capacity (25°C)	80 Ah @ 10HR-rate (to 1.80Vpc)
Dimension (mm)	L330mm x W171mm x H220mm
Approx. Weight	25.0 kg
Terminal Type	Female Copper Insert M6 (torque:6~8N.m)
Internal Resistance	Approx. 0.006 Ohm (fully charged @ 25°C)
Max. Charge Current	20A
Max. Discharge Current (5S)	800 A
Short Circuit Current	2000 A
Self Discharge	Approx. 2.5% per month @ 20°C
Ambient Temperature	Discharge: -25~65°C Charge: -25~60°C Storage: -25~45°C
Float Charge Voltage	13.5V @25°C (-3mV/ cell/ °C)
Equalize and cycle Use Charge Voltage	14.4-14.7V@25°C
Container Material	ABS (UL94-V0 optional)



### Complied standards

- IEC61427
- GB/T 22473
- UL1989

### BATTERY DIMENSIONS



### BATTERY DISCHARGE TABLE

Constant Current Discharge Characteristics: Amps (25°C)									
F.V/Time	30min	1h	2h	3h	4h	5h	8h	10h	20h
1.70V	82.9	51.4	30.5	22.1	17.7	14.7	10.0	8.27	4.36
1.75V	80.0	50.4	29.9	21.8	17.5	14.5	9.88	8.16	4.28
1.80V	76.5	48.7	29.3	21.4	17.0	14.2	9.65	8.00	4.20
1.85V	72.2	46.6	28.1	20.7	16.6	13.9	9.44	7.79	4.10

### Long time discharge capacity for Solar & Wind applications

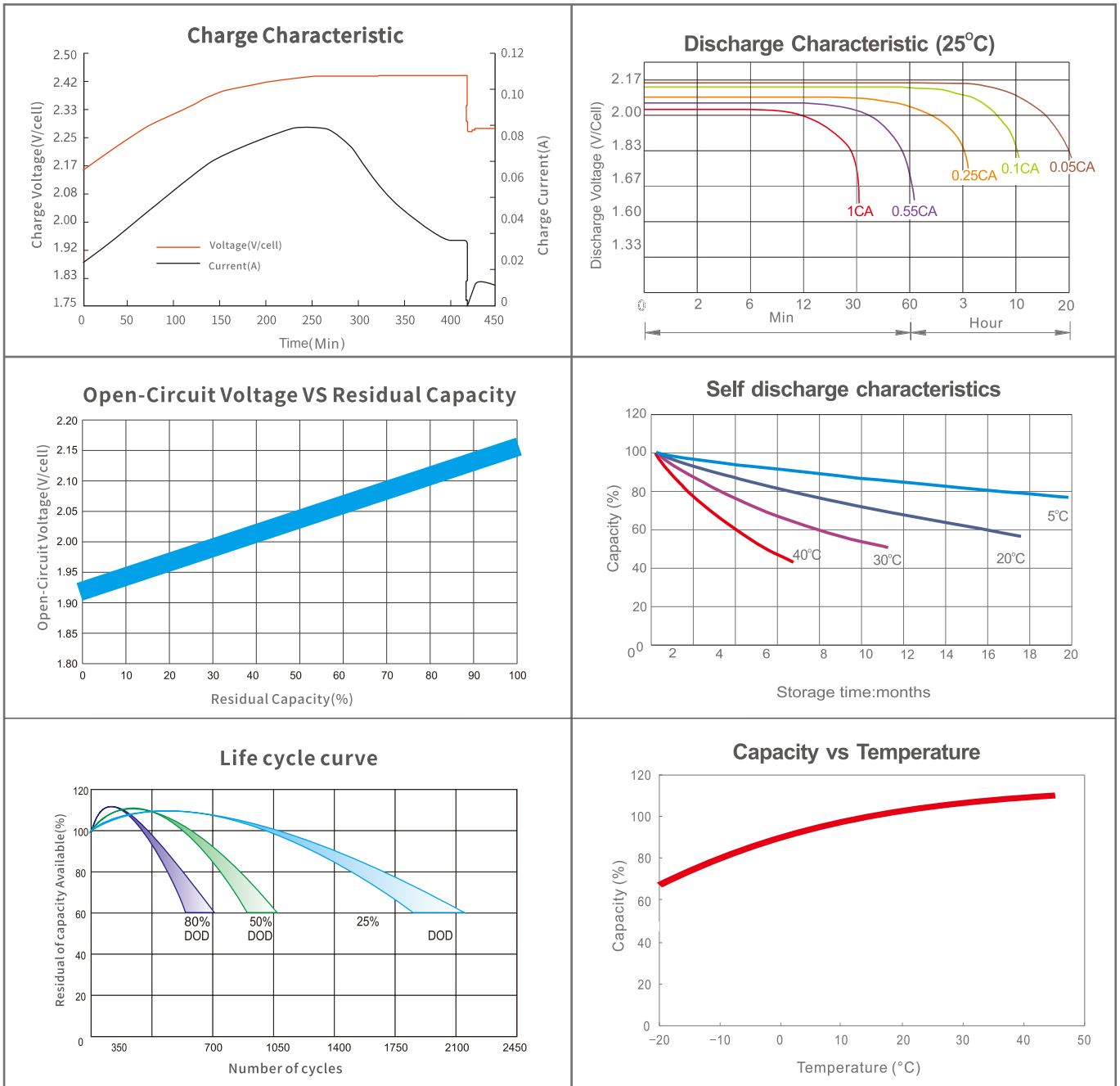
Capacity	C <sub>24</sub> (Ah)	C <sub>48</sub> (Ah)	C <sub>72</sub> (Ah)	C <sub>100</sub> (Ah)	C <sub>120</sub> (Ah)
6-CNFJ-80	85.6	90.4	92.8	96.8	100
Final Voltage	1.85V				

Constant Power Discharge Characteristics: W/cell (25°C)									
F.V/Time	30min	1h	2h	3h	4h	5h	8h	10h	20h
1.70V	155	97.1	58.0	42.4	33.9	28.4	19.5	16.2	8.60
1.75V	151	95.9	57.5	42.0	33.8	28.3	19.4	16.1	8.49
1.80V	146	93.6	56.7	41.6	33.3	27.9	19.1	15.9	8.39
1.85V	139	90.4	55.0	40.6	32.7	27.4	18.8	15.6	8.24

### Solar & Wind applications parameters settings

Over voltage disconnect:	2.45±0.01V/cell @ 25°C
Regulation/equalize voltage:	2.40±0.01V/cell @ 25°C
Array reconnection voltage:	2.25±0.005V/cell @ 25°C
Float voltage setting:	2.27±0.005V/cell @ 25°C
Low voltage alarm voltage:	1.95±0.005V/cell @ 25°C
Low voltage disconnect:	1.90±0.005V/cell @ 25°C
Load reconnect voltage:	2.09±0.01V/cell @ 25°C
Temp. compensate coefficient:	-3~-5mV/cell/°C

## CHARACTERISTICS



## FINAL VOLTAGE SETTINGS RECOMMENDED ACCORDING TO THE DISCHARGE CURRENT

Discharge Current I (A)	$I < 0.08C$	$0.08C \leq I < 0.2C$	$0.2C \leq I < 0.6C$	$0.6C \leq I < 1.0C$	$I \geq 1.0C$
Final of Voltage	$\geq 1.85V_{pc}$	$\geq 1.80V_{pc}$	$\geq 1.75V_{pc}$	$\geq 1.70V_{pc}$	$\geq 1.60V_{pc}$

## CONTACT US:

Company: Zhejiang Chisen Battery Co., Ltd

Address: Room 3305, Building 2, Wealth Financial Center, Shangcheng District, Hangzhou, Zhejiang

Website: <https://www.chisen.cn>

Email: [sales@chisen.cn](mailto:sales@chisen.cn)

[chisenbattery@gmail.com](mailto:chisenbattery@gmail.com)

Facebook: <https://www.facebook.com/chisenbattery>

Linkedin: <https://linkedin.com/company/chisen>

VK: <https://vk.com/chisenbattery>

Note: All above information shall be changed without prior notice, CHISEN reserves the right to explain and update

