

SINGI[®]

PV COMBINER BOX

SYPV5F 光伏汇流箱系列



1路进/1路出 1000VDC(配置一)

1 INPUT / 1 OUTPUT, 1000V DC (CONFIGURATION 1)



产品应用

适用于光伏系统, 配有电涌保护器和隔离开关, 提供隔离、漏电和接地保护。

Product Application

Designed for photovoltaic systems, equipped with surge protective devices (SPDs) and isolation switches, providing isolation, leakage current and grounding protection.

1 直流浪涌保护器*1只

- SYS5-40P/2P
- ▶ 最大工作电压: 1500VDC
 - ▶ 执行标准: IEC/EN 61643-31
 - ▶ 最大放电电流: 40kA

1 DC SPD

- SYS5-40P/2P
- ▶ Maximum Working Voltage: 1500VDC
 - ▶ Compliance Standard: IEC/EN 61643-31
 - ▶ Maximum Discharge Current: 40kA

2 直流熔断器*2只

- SYF5-32P
- ▶ 带灯指示, 清晰判断熔断芯状态
 - ▶ 额定工作电压: 1000VDC
 - ▶ 熔芯规格: 10x38mm, 20A

2 DC Fuse

- SYF5-32P
- ▶ With illuminated indicator for clear fuse status identification
 - ▶ Rated operational voltage: 1000VDC
 - ▶ Fuse link specification: 10x38mm, 20A

3 笼式直流隔离开关*1只

- SYDSC-32
- ▶ 额定绝缘电压: 1500VDC
 - ▶ 额定电流: 32A

3 DC Isolating Switch

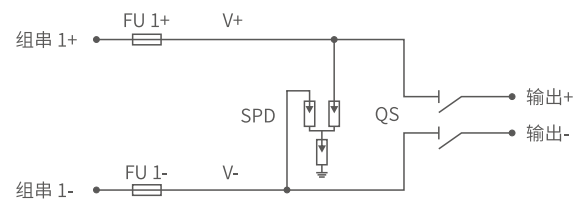
- SYDSC-32
- ▶ Rated insulation voltage: 1500VDC
 - ▶ Rated current: 32A

产品技术参数

Technical Parameter

规格	Specifications	1路进/1路出 1000VDC(配置一)
输入	Input	1路 (1-circuit)
输出	Output	1路 (1-circuit)
最大电压	Maximum Voltage	1000V
输入的最大直流短路电流	Maximum DC Short-Circuit Current (Input)	16A 可以更换 (Replaceable)
最大输出电流	Maximum Output Current	32A
配电箱参数 Distribution Box Parameters		
材料	Material	PC+ABS
防护等级	Ingress Protection (IP) Rating	IP66
冲击防护等级	Impact Protection Rating (IK)	IK09
箱体尺寸	Dimensions (L×W×H)	GNB F01-9; L219*W200*H102mm
电缆输入接口	Cable Input Port	PG09 Cable Gland, 2.5 - 16mm ²
电缆输出接口	Cable Output Port	PG21, 2.5 - 16mm ²
环境 Environment		
工作温度	Operating Temperature	-20°C - +60°C
湿度	Humidity	99%
海拔高度	Altitude	2000m
安装方式	Mounting Method	壁挂式 (Wall-mounted)

接线图 Wiring Diagram



1路进/1路出 1000VDC(配置二)

1 INPUT / 1 OUTPUT, 1000V DC (CONFIGURATION 2)



产品应用

IP66 直流汇流箱设计用于1串光伏系统。用于太阳能直流侧的浪涌保护和过载保护。

Product Application

IP66 DC combiner box designed for single-string PV systems, providing surge protection and overload protection for the solar DC side.

1 直流浪涌保护器*1只

SYS5-40P/2P

- ▶ 最大工作电压：1500VDC
- ▶ 执行标准：IEC/EN 61643-31
- ▶ 最大放电电流：40kA

1 DC SPD

SYS5-40P/2P

- ▶ Maximum Working Voltage: 1500VDC
- ▶ Compliance Standard: IEC/EN 61643-31
- ▶ Maximum Discharge Current: 40kA

2 直流熔断器*2只

SYF5-32P

- ▶ 带灯指示，清晰判断熔芯状态
- ▶ 额定工作电压：1000VDC
- ▶ 熔芯规格：10x38mm, 20A

2 DC Fuse

SYF5-32P

- ▶ With illuminated indicator for clear fuse status identification
- ▶ Rated operational voltage: 1000VDC
- ▶ Fuse link specification: 10x38mm, 20A

3 直流断路器*1只

SYB5-80P/4P

- ▶ 过载、短路保护
- ▶ 无极性，双向保护，更容易布线
- ▶ 执行标准：IEC/EN60947-2

3 DC MCB

SYB5-80P/4P

- ▶ Overload and short-circuit protection
- ▶ Non-polarized, bidirectional protection for simplified wiring
- ▶ Compliance standard: IEC/EN 60947-2

产品技术参数

Technical Parameter

型号	Model	1路进/1路出 1000VDC(配置二)		接线图	Wiring Diagram
输入	Input	1路 (1-circuit)			
输出	Output	1路 (1-circuit)			
最大电压	Maximum Voltage	500V	1000V		
输入的最大直流短路电流	Maximum DC Short-Circuit Current (Input)	16A	16A		
最大输出电流	Maximum Output Current	63A	40A		
配电箱参数 Distribution Box Parameters					
材料	Material	PC+ABS			
防护等级	Ingress Protection (IP) Rating	IP66			
冲击防护等级	Impact Protection Rating (IK)	IK09			
箱体尺寸	Dimensions (L×W×H)	GNB F01-9; L219*W200*H102mm			
电缆输入接口	Cable Input Port	PG09, 2.5-16mm ²			
电缆输出接口	Cable Output Port	PG21, 2.5-16mm ²			
环境 Environment					
工作温度	Operating Temperature	-20°C - +60°C			
湿度	Humidity	99%			
海拔高度	Altitude	2000m			
安装方式	Mounting Method	壁挂式 (Wall-mounted)			

2路进/1路出 1000VDC(配置一)

2 INPUT / 1 OUTPUT, 1000V DC (CONFIGURATION 1)



产品应用

适用于光伏系统, 配有电涌保护器和隔离开关, 提供隔离、漏电和接地保护。

Product Application

Designed for photovoltaic systems, equipped with surge protective devices (SPDs) and isolation switches, providing isolation, leakage current and grounding protection.

1 直流浪涌保护器*1只

- SYS5-40P/2P
- ▶ 最大工作电压: 1500VDC
 - ▶ 执行标准: IEC/EN 61643-31
 - ▶ 最大放电电流: 40kA

1 DC SPD

- SYS5-40P/2P
- ▶ Maximum Working Voltage: 1500VDC
 - ▶ Compliance Standard: IEC/EN 61643-31
 - ▶ Maximum Discharge Current: 40kA

2 直流熔断器*4只

- SYF5-32P
- ▶ 带灯指示, 清晰判断熔断芯状态
 - ▶ 额定工作电压: 1000VDC
 - ▶ 熔芯规格: 10x38mm, 16A

2 DC Fuse

- SYF5-32P
- ▶ With illuminated indicator for clear fuse status identification
 - ▶ Rated operational voltage: 1000VDC
 - ▶ Fuse link specification: 10x38mm, 16A

3 笼式直流隔离开关*1只

- SYDSC-32
- ▶ 额定绝缘电压: 1500VDC
 - ▶ 额定电流: 32A

3 DC Isolating Switch

- SYDSC-32
- ▶ Rated insulation voltage: 1500VDC
 - ▶ Rated current: 32A

产品技术参数

Technical Parameter

型号	Model	2路进/1路出 1000VDC(配置一)	接线图	Wiring Diagram
输入	Input	2路 (2-circuit)		
输出	Output	1路 (1-circuit)		
最大电压	Maximum Voltage	1000V		
输入的最大直流短路电流	Maximum DC Short-Circuit Current (Input)	16A 可以更换 (Replaceable)		
最大输出电流	Maximum Output Current	32A		
配电箱参数 Distribution Box Parameters				
材料	Material	PC+ABS		
防护等级	Ingress Protection (IP) Rating	IP66		
冲击防护等级	Impact Protection Rating (IK)	IK09		
箱体尺寸	Dimensions (L×W×H)	GNB F01-12; L270*W220*H102mm		
电缆输入接口	Cable Input Port	PG09 Cable Gland, 2.5 - 16mm ²		
电缆输出接口	Cable Output Port	PG21, 2.5 - 16mm ²		
环境 Environment				
工作温度	Operating Temperature	-20°C - +60°C		
湿度	Humidity	99%		
海拔高度	Altitude	2000m		
安装方式	Mounting Method	壁挂式 (Wall-mounted)		

2路进/1路出 1000VDC(配置二)

2 INPUT / 1 OUTPUT, 1000V DC (CONFIGURATION 2)



产品应用

IP66 直流汇流箱设计用于2串光伏系统。用于太阳能直流侧的浪涌保护和过载保护。

Product Application

IP66 DC combiner box designed for 2-string PV systems, providing surge protection and overload protection on the solar DC side.

1 直流浪涌保护器*1只

SYS5-40P/2P

- ▶ 最大工作电压：1500VDC
- ▶ 执行标准：IEC/EN 61643-31
- ▶ 最大放电电流：40kA

1 DC SPD

SYS5-40P/2P

- ▶ Maximum Working Voltage: 1500VDC
- ▶ Compliance Standard: IEC/EN 61643-31
- ▶ Maximum Discharge Current: 40kA

2 直流熔断器*4只

SYF5-32P

- ▶ 带灯指示, 清晰判断熔芯状态
- ▶ 额定工作电压：1000VDC
- ▶ 熔芯规格：10x38mm, 20A

2 DC Fuse

SYF5-32P

- ▶ With illuminated indicator for clear fuse status identification
- ▶ Rated operational voltage: 1000VDC
- ▶ Fuse link specification: 10x38mm, 20A

3 直流断路器*1只

SYB5-80P/4P

- ▶ 过载、短路保护
- ▶ 无极性, 双向保护, 更容易布线
- ▶ 执行标准：IEC/EN60947-2

3 DC MCB

SYB5-80P/4P

- ▶ Overload and short-circuit protection
- ▶ Non-polarized, bidirectional protection for simplified wiring
- ▶ Compliance standard: IEC/EN 60947-2

产品技术参数

Technical Parameter

型号	Model	2路进/1路出 1000VDC(配置二)	接线图	Wiring Diagram
输入	Input	2路 (2-circuit)		
输出	Output	1路 (1-circuit)		
最大电压	Maximum Voltage	1000V		
输入的最大直流短路电流	Maximum DC Short-Circuit Current (Input)	16A		
最大输出电流	Maximum Output Current	40A		
配电箱参数				Distribution Box Parameters
材料	Material	PC+ABS		
防护等级	Ingress Protection (IP) Rating	IP66		
冲击防护等级	Impact Protection Rating (IK)	IK09		
箱体尺寸	Dimensions (L×W×H)	GNB F01-12; L270*W220*H102mm		
电缆输入接口	Cable Input Port	PG09, 2.5 - 16mm ²		
电缆输出接口	Cable Output Port	PG21, 2.5 - 16mm ²		
环境			Environment	
工作温度	Operating Temperature	-20°C - +60°C		
湿度	Humidity	99%		
海拔高度	Altitude	2000m		
安装方式	Mounting Method	壁挂式 (Wall-mounted)		

3路进/1路出 1000VDC(配置一)

3 INPUT / 1 OUTPUT, 1000V DC (CONFIGURATION 1)



产品应用

适用于光伏系统, 配有电涌保护器和隔离开关, 提供隔离、漏电和接地保护。

Product Application

Designed for photovoltaic systems, equipped with surge protective devices (SPDs) and isolation switches, providing isolation, leakage current and grounding protection.

1 直流浪涌保护器*1只

- SYS5-40P/2P**
- ▶ 最大工作电压: 1500VDC
 - ▶ 执行标准: IEC/EN 61643-31
 - ▶ 最大放电电流: 40kA

1 DC SPD

- SYS5-40P/2P**
- ▶ Maximum Working Voltage: 1500VDC
 - ▶ Compliance Standard: IEC/EN 61643-31
 - ▶ Maximum Discharge Current: 40kA

2 直流熔断器*6只

- SYF5-32P**
- ▶ 带灯指示, 清晰判断熔断芯状态
 - ▶ 额定工作电压: 1000VDC
 - ▶ 熔芯规格: 10x38mm, 16A

2 DC Fuse

- SYF5-32P**
- ▶ With illuminated indicator for clear fuse status identification
 - ▶ Rated operational voltage: 1000VDC
 - ▶ Fuse link specification: 10x38mm, 16A

3 笼式直流隔离开关*1只

- SYDSC-32**
- ▶ 额定绝缘电压: 1500VDC
 - ▶ 额定电流: 32A

3 DC Isolating Switch

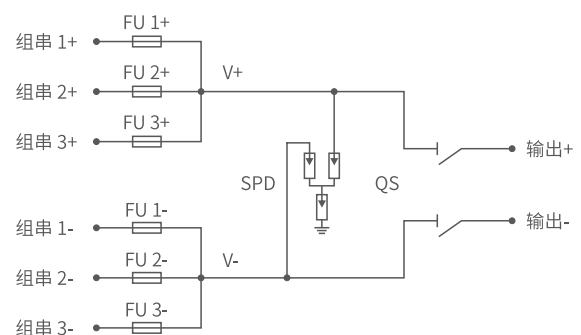
- SYDSC-32**
- ▶ Rated insulation voltage: 1500VDC
 - ▶ Rated current: 32A

产品技术参数

Technical Parameter

型号	Model	3路进/1路出 1000VDC(配置一)
输入	Input	3路 (3-circuit)
输出	Output	1路 (1-circuit)
最大电压	Maximum Voltage	1000V
输入的最大直流短路电流	Maximum DC Short-Circuit Current (Input)	16A 可以更换 (Replaceable)
最大输出电流	Maximum Output Current	32A
配电箱参数 Distribution Box Parameters		
材料	Material	PC
防护等级	Ingress Protection (IP) Rating	IP65
冲击防护等级	Impact Protection Rating (IK)	IK09
箱体尺寸	Dimensions (L×W×H)	GNB F01-12; L270*W220*H102mm
电缆输入接口	Cable Input Port	PG09 Cable Gland, 2.5 - 16mm ²
电缆输出接口	Cable Output Port	PG21, 2.5 - 16mm ²
环境 Environment		
工作温度	Operating Temperature	-20°C - +60°C
湿度	Humidity	99%
海拔高度	Altitude	2000m
安装方式	Mounting Method	壁挂式 (Wall-mounted)

接线图 Wiring Diagram





产品应用

IP66 直流汇流箱设计用于3串光伏系统。用于太阳能直流侧的浪涌保护和过载保护。

Product Application

IP66 DC combiner box designed for 3-string PV systems, providing surge protection and overload protection on the solar DC side.

1 直流浪涌保护器*1只

SYS5-40P/2P

- ▶ 最大工作电压：1500VDC
- ▶ 执行标准：IEC/EN 61643-31
- ▶ 最大放电电流：40kA

1 DC SPD

SYS5-40P/2P

- ▶ Maximum Working Voltage: 1500VDC
- ▶ Compliance Standard: IEC/EN 61643-31
- ▶ Maximum Discharge Current: 40kA

2 直流熔断器*6只

SYF5-32P

- ▶ 带灯指示，清晰判断熔芯状态
- ▶ 额定工作电压：1000VDC
- ▶ 熔芯规格：10x38mm, 20A

2 DC Fuse

SYF5-32P

- ▶ With illuminated indicator for clear fuse status identification
- ▶ Rated operational voltage: 1000VDC
- ▶ Fuse link specification: 10x38mm, 20A

3 直流断路器*1只

SYB5-80P/4P

- ▶ 过载、短路保护
- ▶ 无极性，双向保护，更容易布线
- ▶ 执行标准：IEC/EN60947-2

3 DC MCB

SYB5-80P/4P

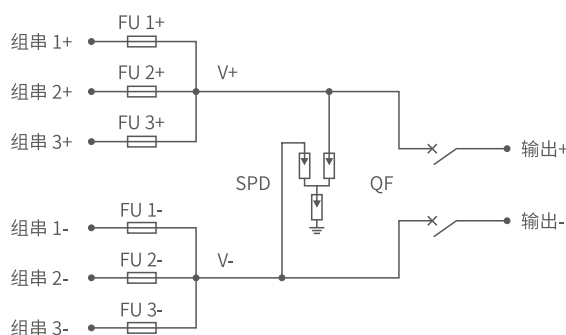
- ▶ Overload and short-circuit protection
- ▶ Non-polarized, bidirectional protection for simplified wiring
- ▶ Compliance standard: IEC/EN 60947-2

产品技术参数

Technical Parameter

型号	Model	3路进/1路出 500VDC/1000VDC(配置二)	
输入	Input	3路 (3-circuit)	
输出	Output	1路 (1-circuit)	
最大电压	Maximum Voltage	500V	1000V
输入的最大直流短路电流	Maximum DC Short-Circuit Current (Input)	16A	16A
最大输出电流	Maximum Output Current	63A	40A
配电箱参数 Distribution Box Parameters			
材料	Material	PC+ABS	
防护等级	Ingress Protection (IP) Rating	IP66	
冲击防护等级	Impact Protection Rating (IK)	IK09	
箱体尺寸	Dimensions (L×W×H)	GNB F01-12; L270*W220*H102mm	
电缆输入接口	Cable Input Port	PG09, 2.5-16mm ²	
电缆输出接口	Cable Output Port	PG21, 2.5-16mm ²	
环境 Environment			
工作温度	Operating Temperature	-20°C - +60°C	
湿度	Humidity	99%	
海拔高度	Altitude	2000m	
安装方式	Mounting Method	壁挂式 (Wall-mounted)	

接线图 Wiring Diagram



2路进/2路出 1000VDC(配置一)

2 INPUT / 2 OUTPUT, 1000V DC (CONFIGURATION 1)



产品应用

适用于光伏系统, 配有电涌保护器和隔离开关, 提供隔离、漏电和接地保护。

Product Application

Designed for photovoltaic systems, equipped with surge protective devices (SPDs) and isolation switches, providing isolation, leakage current and grounding protection.

1 直流浪涌保护器*1只

SYS5-40P/2P

- ▶ 最大工作电压: 1500VDC
- ▶ 执行标准: IEC/EN 61643-31
- ▶ 最大放电电流: 40kA

1 DC SPD

SYS5-40P/2P

- ▶ Maximum Working Voltage: 1500VDC
- ▶ Compliance Standard: IEC/EN 61643-31
- ▶ Maximum Discharge Current: 40kA

2 直流熔断器*4只

SYF5-32P

- ▶ 带灯指示, 清晰判断熔断芯状态
- ▶ 额定工作电压: 1000VDC
- ▶ 熔芯规格: 10x38mm, 16A

2 DC Fuse

SYF5-32P

- ▶ With illuminated indicator for clear fuse status identification
- ▶ Rated operational voltage: 1000VDC
- ▶ Fuse link specification: 10x38mm, 16A

3 笼式直流隔离开关*1只

SYDSC-32

- ▶ 额定绝缘电压: 1500VDC
- ▶ 额定电流: 32A

3 DC Isolating Switch

SYDSC-32

- ▶ Rated insulation voltage: 1500VDC
- ▶ Rated current: 32A

产品技术参数

Technical Parameter

型号	Model	2路进/2路出 1000VDC(配置一)	接线图	Wiring Diagram
输入	Input	2路 (2-circuit)		
输出	Output	2路 (2-circuit)		
最大电压	Maximum Voltage	1000V		
输入的最大直流短路电流	Maximum DC Short-Circuit Current (Input)	16A 可以更换 (Replaceable)		
最大输出电流	Maximum Output Current	32A		
配电箱参数 Distribution Box Parameters				
材料	Material	PC+ABS		
防护等级	Ingress Protection (IP) Rating	IP66		
冲击防护等级	Impact Protection Rating (IK)	IK09		
箱体尺寸	Dimensions (L×W×H)	GNB F01-18; L380*W230*H112mm		
电缆输入接口	Cable Input Port	PG09 Cable Gland, 2.5 - 16mm ²		
电缆输出接口	Cable Output Port	PG21, 2.5 - 16mm ²		
环境 Environment				
工作温度	Operating Temperature	-20°C - +60°C		
湿度	Humidity	99%		
海拔高度	Altitude	2000m		
安装方式	Mounting Method	壁挂式 (Wall-mounted)		



产品应用

IP66 直流汇流箱设计用于2串光伏系统。用于太阳能直流侧的浪涌保护和过载保护。

Product Application

IP66 DC combiner box designed for 2-string PV systems, providing surge protection and overload protection on the solar DC side.

1 直流浪涌保护器*2只

SYS5-40P/2P

- ▶ 最大工作电压：1500VDC
- ▶ 执行标准：IEC/EN 61643-31
- ▶ 最大放电电流：40kA

1 DC SPD

SYS5-40P/2P

- ▶ Maximum Working Voltage: 1500VDC
- ▶ Compliance Standard: IEC/EN 61643-31
- ▶ Maximum Discharge Current: 40kA

2 直流熔断器*4只

SYF5-32P

- ▶ 带灯指示，清晰判断熔芯状态
- ▶ 额定工作电压：1000VDC
- ▶ 熔芯规格：10x38mm, 20A

2 DC Fuse

SYF5-32P

- ▶ With illuminated indicator for clear fuse status identification
- ▶ Rated operational voltage: 1000VDC
- ▶ Fuse link specification: 10x38mm, 20A

3 直流断路器*2只

SYB5-80P/4P

- ▶ 过载、短路保护
- ▶ 无极性，双向保护，更容易布线
- ▶ 执行标准：IEC/EN60947-2

3 DC MCB

SYB5-80P/4P

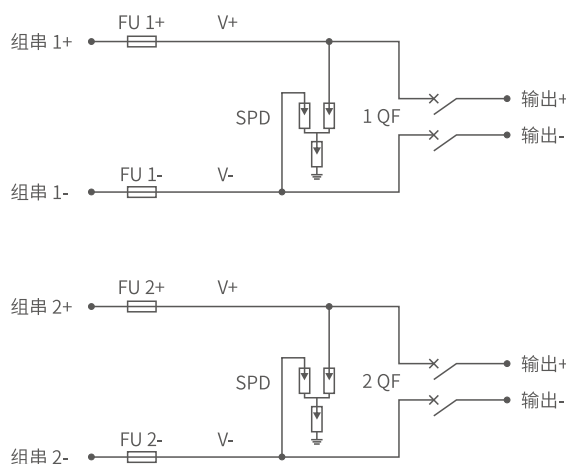
- ▶ Overload and short-circuit protection
- ▶ Non-polarized, bidirectional protection for simplified wiring
- ▶ Compliance standard: IEC/EN 60947-2

产品技术参数

Technical Parameter

型号	Model	2路进/2路出 500VDC/1000VDC(配置二)	
输入	Input	2路 (2-circuit)	
输出	Output	2路 (2-circuit)	
最大电压	Maximum Voltage	500V	1000V
输入的最大直流短路电流	Maximum DC Short-Circuit Current (Input)	25A	25A
最大输出电流	Maximum Output Current	63A	40A
配电箱参数 Distribution Box Parameters			
材料	Material	PC+ABS	
防护等级	Ingress Protection (IP) Rating	IP66	
冲击防护等级	Impact Protection Rating (IK)	IK09	
箱体尺寸	Dimensions (L×W×H)	GNB F01-18; L380*W230*H112mm	
电缆输入接口	Cable Input Port	PG09 Cable Gland, 2.5 - 16mm ²	
电缆输出接口	Cable Output Port	PG21, 2.5 - 16mm ²	
环境 Environment			
工作温度	Operating Temperature	-20°C - +60°C	
湿度	Humidity	99%	
海拔高度	Altitude	2000m	
安装方式	Mounting Method	壁挂式 (Wall-mounted)	

接线图 Wiring Diagram



4路进/2路出 1000VDC(配置一)

4 INPUT / 2 OUTPUT, 1000V DC (CONFIGURATION 1)



产品应用

适用于光伏系统, 配有电涌保护器和隔离开关, 提供隔离、漏电和接地保护。

Product Application

Designed for photovoltaic systems, equipped with surge protective devices (SPDs) and isolation switches, providing isolation, leakage current and grounding protection.

1 直流浪涌保护器*2只

SYS5-40P/2P

- ▶ 最大工作电压: 1500VDC
- ▶ 执行标准: IEC/EN 61643-31
- ▶ 最大放电电流: 40kA

1 DC SPD

SYS5-40P/2P

- ▶ Maximum Working Voltage: 1500VDC
- ▶ Compliance Standard: IEC/EN 61643-31
- ▶ Maximum Discharge Current: 40kA

2 直流熔断器*8只

SYF5-32P

- ▶ 带灯指示, 清晰判断熔断芯状态
- ▶ 额定工作电压: 1000VDC
- ▶ 熔芯规格: 10x38mm, 16A

2 DC Fuse

SYF5-32P

- ▶ With illuminated indicator for clear fuse status identification
- ▶ Rated operational voltage: 1000VDC
- ▶ Fuse link specification: 10x38mm, 16A

3 笼式直流隔离开关*2只

SYDSC-32

- ▶ 额定绝缘电压: 1500VDC
- ▶ 额定电流: 32A

3 DC Isolating Switch

SYDSC-32

- ▶ Rated insulation voltage: 1500VDC
- ▶ Rated current: 32A

产品技术参数

Technical Parameter

型号	Model	4路进/2路出 1000VDC(配置一)	接线图	Wiring Diagram
输入	Input	4路 (4-circuit)		
输出	Output	2路 (2-circuit)		
最大电压	Maximum Voltage	1000V		
输入的最大直流短路电流	Maximum DC Short-Circuit Current (Input)	16A 可以更换 (Replaceable)		
最大输出电流	Maximum Output Current	32A		
配电箱参数 Distribution Box Parameters				
材料	Material	PC		
防护等级	Ingress Protection (IP) Rating	IP65		
冲击防护等级	Impact Protection Rating (IK)	IK09		
箱体尺寸	Dimensions (L×W×H)	GNB F01-26; L296*W390*H130mm		
电缆输入接口	Cable Input Port	PG09 Cable Gland, 2.5 - 16mm ²		
电缆输出接口	Cable Output Port	PG21, 2.5 - 16mm ²		
环境 Environment				
工作温度	Operating Temperature	-20°C - +60°C		
湿度	Humidity	99%		
海拔高度	Altitude	2000m		
安装方式	Mounting Method	壁挂式 (Wall-mounted)		

4路进/2路出 500VDC/1000VDC(配置二)

4 INPUT / 2 OUTPUT, 500VDC/1000V DC (CONFIGURATION 2)



产品应用

IP66 直流汇流箱设计用于4串光伏系统。用于太阳能直流侧的浪涌保护和过载保护。

Product Application

IP66 DC combiner box designed for 4-string PV systems, providing surge protection and overload protection on the solar DC side.

1 直流浪涌保护器*2只

SYS5-40P/2P

- ▶ 最大工作电压：1500VDC
- ▶ 执行标准：IEC/EN 61643-31
- ▶ 最大放电电流：40kA

1 DC SPD

SYS5-40P/2P

- ▶ Maximum Working Voltage: 1500VDC
- ▶ Compliance Standard: IEC/EN 61643-31
- ▶ Maximum Discharge Current: 40kA

2 直流熔断器*8只

SYF5-32P

- ▶ 带灯指示, 清晰判断熔芯状态
- ▶ 额定工作电压：1000VDC
- ▶ 熔芯规格：10x38mm, 20A

2 DC Fuse

SYF5-32P

- ▶ With illuminated indicator for clear fuse status identification
- ▶ Rated operational voltage: 1000VDC
- ▶ Fuse link specification: 10x38mm, 20A

3 直流断路器*2只

SYB5-80P/4P

- ▶ 过载、短路保护
- ▶ 无极性, 双向保护, 更容易布线
- ▶ 执行标准：IEC/EN60947-2

3 DC MCB

SYB5-80P/4P

- ▶ Overload and short-circuit protection
- ▶ Non-polarized, bidirectional protection for simplified wiring
- ▶ Compliance standard: IEC/EN 60947-2

产品技术参数

Technical Parameter

型号	Model	4路进/2路出 500VDC/1000VDC(配置二)		接线图	Wiring Diagram
输入	Input	4路 (4-circuit)			
输出	Output	2路 (2-circuit)			
最大电压	Maximum Voltage	500V	1000V		
输入的最大直流短路电流	Maximum DC Short-Circuit Current (Input)	25A/25A	25A/25A		
最大输出电流	Maximum Output Current	63A/63A	40A/40A		
配电箱参数 Distribution Box Parameters					
材料	Material	PC+ABS			
防护等级	Ingress Protection (IP) Rating	IP66			
冲击防护等级	Impact Protection Rating (IK)	IK09			
箱体尺寸	Dimensions (L×W×H)	GNB F01-26; L296*W390*H130mm			
电缆输入接口	Cable Input Port	PG09, 2.5-16mm ²			
电缆输出接口	Cable Output Port	PG21, 2.5-16mm ²			
环境 Environment					
工作温度	Operating Temperature	-20°C - +60°C			
湿度	Humidity	99%			
海拔高度	Altitude	2000m			
安装方式	Mounting Method	壁挂式 (Wall-mounted)			

6路进/2路出 1000VDC(配置一)

6 INPUT / 2 OUTPUT, 1000V DC (CONFIGURATION 1)



产品应用

适用于光伏系统, 配有电涌保护器和隔离开关, 提供隔离、漏电和接地保护。

Product Application

Designed for photovoltaic systems, equipped with surge protective devices (SPDs) and isolation switches, providing isolation, leakage current and grounding protection.

1 直流浪涌保护器*2只

SYS5-40P/2P

- ▶ 最大工作电压: 1500VDC
- ▶ 执行标准: IEC/EN 61643-31
- ▶ 最大放电电流: 40kA

1 DC SPD

SYS5-40P/2P

- ▶ Maximum Working Voltage: 1500VDC
- ▶ Compliance Standard: IEC/EN 61643-31
- ▶ Maximum Discharge Current: 40kA

2 直流熔断器*12只

SYF5-32P

- ▶ 带灯指示, 清晰判断熔断芯状态
- ▶ 额定工作电压: 1000VDC
- ▶ 熔芯规格: 10x38mm, 16A

2 DC Fuse

SYF5-32P

- ▶ With illuminated indicator for clear fuse status identification
- ▶ Rated operational voltage: 1000VDC
- ▶ Fuse link specification: 10x38mm, 16A

3 笼式直流隔离开关*2只

SYDSC-32

- ▶ 额定绝缘电压: 1500VDC
- ▶ 额定电流: 32A

3 DC Isolating Switch

SYDSC-32

- ▶ Rated insulation voltage: 1500VDC
- ▶ Rated current: 32A

产品技术参数

Technical Parameter

型号	Model	6路进/2路出 1000VDC(配置一)	接线图	Wiring Diagram
输入	Input	6路 (6-circuit)		
输出	Output	2路 (2-circuit)		
最大电压	Maximum Voltage	1000V		
输入的最大直流短路电流	Maximum DC Short-Circuit Current (Input)	16A 可以更换 (Replaceable)		
最大输出电流	Maximum Output Current	32A		
配电箱参数 Distribution Box Parameters				
材料	Material	PC+ABS		
防护等级	Ingress Protection (IP) Rating	IP66		
冲击防护等级	Impact Protection Rating (IK)	IK09		
箱体尺寸	Dimensions (L×W×H)	GNB F01-26; L296*W390*H130mm		
电缆输入接口	Cable Input Port	PG09 Cable Gland, 2.5 - 16mm ²		
电缆输出接口	Cable Output Port	PG21, 2.5 - 16mm ²		
环境 Environment				
工作温度	Operating Temperature	-20°C - +60°C		
湿度	Humidity	99%		
海拔高度	Altitude	2000m		
安装方式	Mounting Method	壁挂式 (Wall-mounted)		



产品应用

IP66 直流汇流箱设计用于6串光伏系统。用于太阳能直流侧的浪涌保护和过载保护。

Product Application

IP66 DC combiner box designed for 6-string PV systems, providing surge protection and overload protection on the solar DC side.

1 直流浪涌保护器*2只

SYS5-40P/2P

- ▶ 最大工作电压：1500VDC
- ▶ 执行标准：IEC/EN 61643-31
- ▶ 最大放电电流：40kA

1 DC SPD

SYS5-40P/2P

- ▶ Maximum Working Voltage: 1500VDC
- ▶ Compliance Standard: IEC/EN 61643-31
- ▶ Maximum Discharge Current: 40kA

2 直流熔断器*12只

SYF5-32P

- ▶ 带灯指示，清晰判断熔芯状态
- ▶ 额定工作电压：1000VDC
- ▶ 熔芯规格：10x38mm, 20A

2 DC Fuse

SYF5-32P

- ▶ With illuminated indicator for clear fuse status identification
- ▶ Rated operational voltage: 1000VDC
- ▶ Fuse link specification: 10x38mm, 20A

3 直流断路器*2只

SYB5-80P/4P

- ▶ 过载、短路保护
- ▶ 无极性，双向保护，更容易布线
- ▶ 执行标准：IEC/EN60947-2

3 DC MCB

SYB5-80P/4P

- ▶ Overload and short-circuit protection
- ▶ Non-polarized, bidirectional protection for simplified wiring
- ▶ Compliance standard: IEC/EN 60947-2

产品技术参数

Technical Parameter

型号	Model	6路进/2路出 500VDC/1000VDC(配置二)	接线图	Wiring Diagram
输入	Input	6路 (6-circuit)		
输出	Output	2路 (2-circuit)		
最大电压	Maximum Voltage	1000V		
输入的最大直流短路电流	Maximum DC Short-Circuit Current (Input)	40A/40A/40A		
最大输出电流	Maximum Output Current	40A/40A/40A		
配电箱参数 Distribution Box Parameters				
材料	Material	PC+ABS		
防护等级	Ingress Protection (IP) Rating	IP66		
冲击防护等级	Impact Protection Rating (IK)	IK09		
箱体尺寸	Dimensions (L×W×H)	GNB F01-26; L296*W390*H130mm		
电缆输入接口	Cable Input Port	PG09, 2.5 - 16mm ²		
电缆输出接口	Cable Output Port	PG21, 2.5 - 16mm ²		
环境 Environment				
工作温度	Operating Temperature	-20°C - +60°C		
湿度	Humidity	99%		
海拔高度	Altitude	2000m		
安装方式	Mounting Method	壁挂式 (Wall-mounted)		



信行天下·基固利他

以诚信服务天下用户，时时改善、夯实基础、认真践行专注、共生、利他的价值观。

Serve users all over the world with integrity, improve and consolidate the foundation from time to time seriously implement the values of focus, symbiosis and altruism

上海信基电气有限公司

地址: 上海市奉贤区庄行欧洲工业园区航南公路7833号
电话: 021-63457222 传真: 021-63457577

SHANGHAI SINGI ELECTRICAL CO. LTD

Add: European Industrial Zone, Zhuanghang, Fengxian District, Shanghai
Tel : +86-021-63457222 Fax : +86-021-63457577

浙江信基电气股份有限公司

地址: 浙江省乐清市经济开发区纬十二路148号东首
电话: 0577-62773155 0577-62668211
传真: 0577-62772155 邮编: 325600
邮箱: singi@188.com 网站: www.singi.cn

ZHEJIANG SINGI ELECTRICAL LLC

Add : East Of No 148 Wei 12th Road, Yueqing Economic Development Zone, Yueqing City, Zhejiang Province, 325600, China
Tel : +86-577-62053322 Fax : +86-577-62772155
Website : www.singi.com E-mail : singi@188.com P.C. : 325600
