

CNFJ series sealed lead acid battery

The CNFJ series is suitable for medium and low depth loop scene applications. The product uses a nanogel electrolyte with a dedicated deep cycle formulation. CNFJ series has high charging efficiency at extremely low charging current, and has excellent resistance to overcharge and overdischarge. This range of products is suitable for photovoltaics, wind power systems and similar cyclic applications.

12 V voltage **90Ah** capacity circular technology **8 years** design life



TECHNICAL SPECIFICATIONS

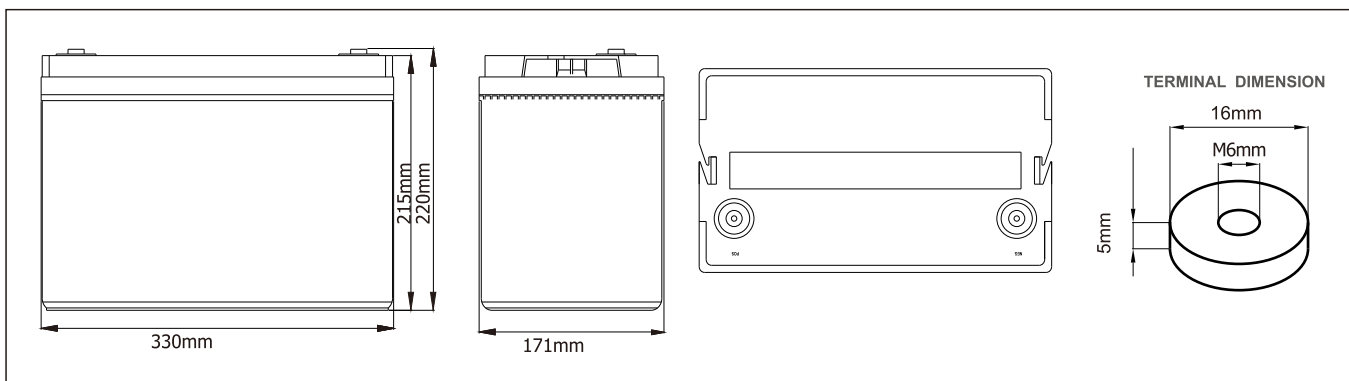
Nominal Voltage (V)	12 (6 cells per unit)
Designed Floating Life (25°C)	8 Years
Nominal Capacity (25°C)	90Ah@C ₁₀ Capacitance, 9A discharging to be 10.8V
Dimension (mm)	L330mm x W171mm x H220mm
Approx. Weight	27.0 kg
Terminal Type	Female Copper Insert M6 (torque:6~8N.m)
Internal Resistance	Approx.5.8mΩ (fully charged @ 25°C)
Max. Charge Current	22.5A
Max. Discharge Current (5S)	750A
Self Discharge	Approx.4% per month @ 25°C
Ambient Temperature	Discharge: -25~65°C Charge: -25~60°C Storage: -25~45°C
Float Charge Voltage	14.4 ~ 14.7V @25°C
Equalize and cycle Use Charge Voltage	13.5 ~ 13.8V @25°C
Container Material	ABS (UL94-V0 optional)



Complied standards

- IEC61427
- GB/T 22473
- UL1989

BATTERY DIMENSIONS



BATTERY DISCHARGE TABLE

Constant Current Discharge Characteristics: Amps (25°C)										
F.V/Time	30min	1h	2h	3h	4h	5h	8h	10h	20h	
1.70V	93.2	57.8	34.2	25.0	19.9	16.6	11.3	9.32	4.92	
1.75V	90.0	56.7	33.8	24.5	19.6	16.4	11.1	9.18	4.82	
1.80V	86.1	54.9	32.9	24.1	19.2	16.1	10.9	9.00	4.73	
1.85V	81.3	52.4	31.7	23.2	18.7	15.6	10.6	8.78	4.61	

Long-term discharge capacity parameters

容量	C ₂₄ (Ah)	C ₄₈ (Ah)	C ₇₂ (Ah)	C ₁₀₀ (Ah)	C ₁₂₀ (Ah)
6-CNFJ-90	96.0	101	103	108	112
终止电压	1.85V				

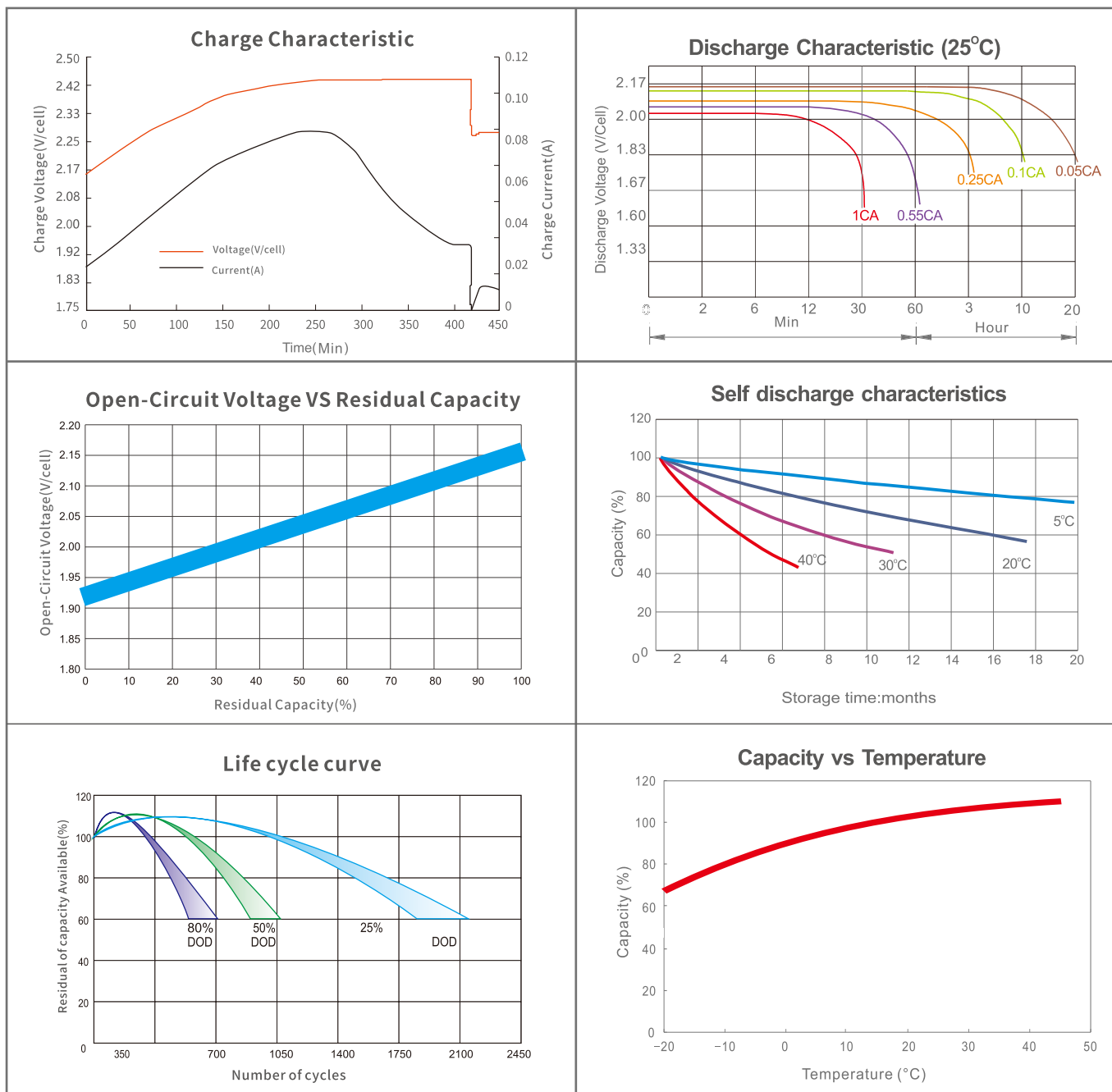
Constant Power Discharge Characteristics: W/cell (25°C)

F.V/Time	30min	1h	2h	3h	4h	5h	8h	10h	20h
1.70V	155	97.2	58.0	42.4	34.1	28.4	19.5	16.2	8.60
1.75V	151	95.8	57.4	42.0	33.8	28.2	19.3	16.1	8.48
1.80V	146	93.6	56.8	41.6	33.4	27.9	19.1	15.9	8.38
1.85V	139	90.4	55.3	40.6	32.6	27.4	18.8	15.6	8.24

Solar & Wind applications parameters settings

过电压断开:	2.45±0.01V/单体@ 25°C
调节/均充电压:	2.40±0.01V/单体@ 25°C
阵列连接电压:	2.25±0.005V/单体@ 25°C
浮充电压:	2.27±0.005V/单体@ 25°C
低压报警:	1.95±0.005V/单体@ 25°C
低压断开:	1.90±0.005V/单体@ 25°C
负载重新连接电压:	2.09±0.01V/单体@ 25°C
电池温度补偿系数:	-3~-5mV/单体/°C

CHARACTERISTICS



FINAL VOLTAGE SETTINGS RECOMMENDED ACCORDING TO THE DISCHARGE CURRENT

Discharge Current I (A)	$I < 0.08C$	$0.08C \leq I < 0.2C$	$0.2C \leq I < 0.6C$	$0.6C \leq I < 1.0C$	$I \geq 1.0C$
Final of Voltage	$\geq 1.85V_{pc}$	$\geq 1.80V_{pc}$	$\geq 1.75V_{pc}$	$\geq 1.70V_{pc}$	$\geq 1.60V_{pc}$

CONTACT US:

Company: Zhejiang Chisen Battery Co.,Ltd

Address: Room 3305, Building 2, Wealth Financial Center, Shangcheng District, Hangzhou, Zhejiang

Website: <https://www.chisen.cn>

Email: sales@chisen.cn

chisenbattery@gmail.com

Facebook: <https://www.facebook.com/chisenbattery>

Linkedin: <https://linkedin.com/company/chisen>

VK: <https://vk.com/chisenbattery>

Note: All above information shall be changed without prior notice, CHISEN reserves the right to explain and update

