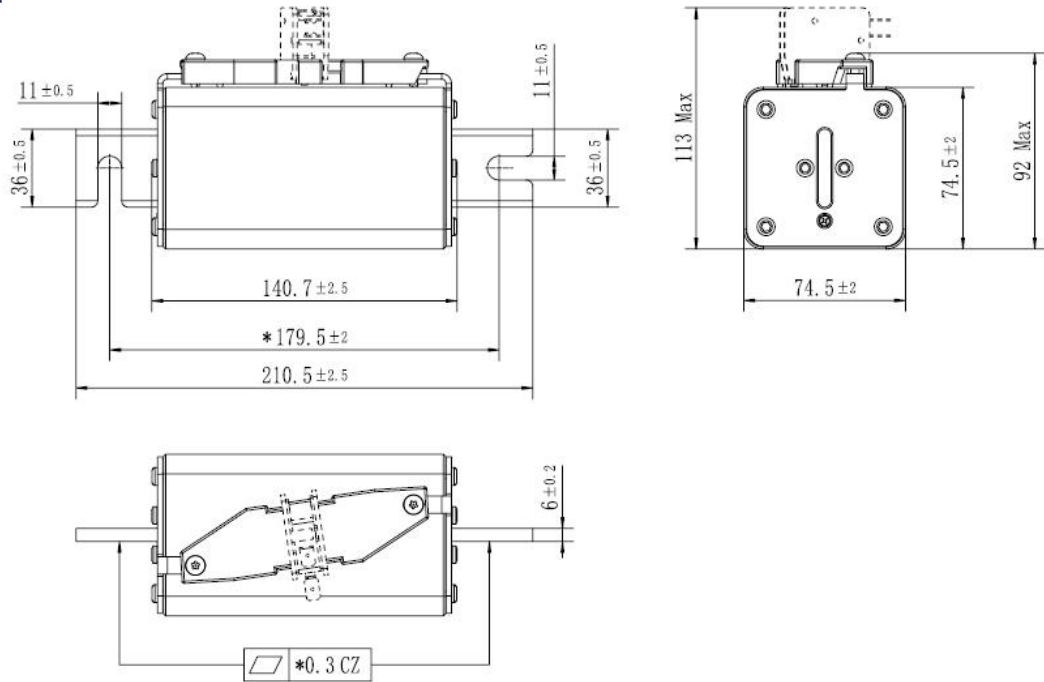


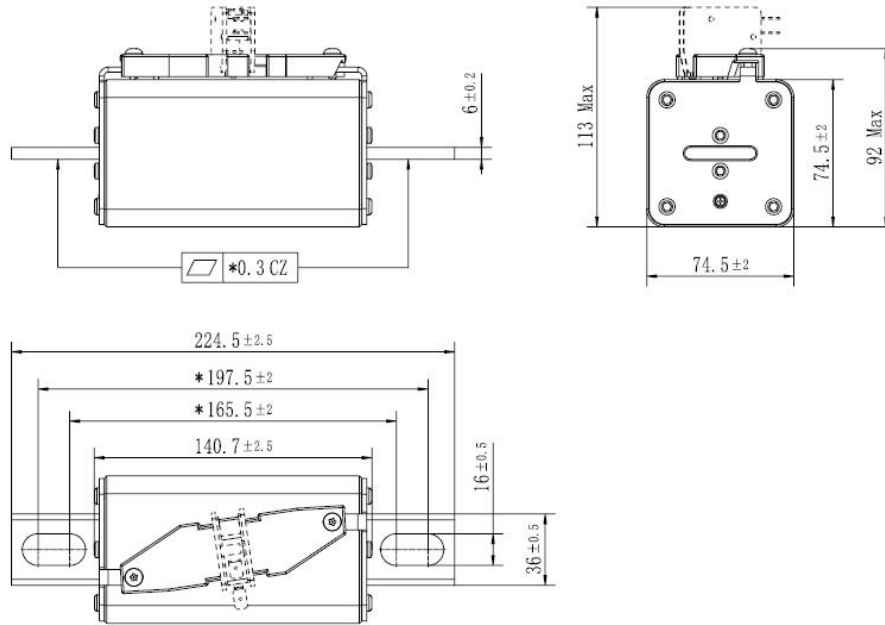
DIMENSIONS (mm)

AHE4120DB3



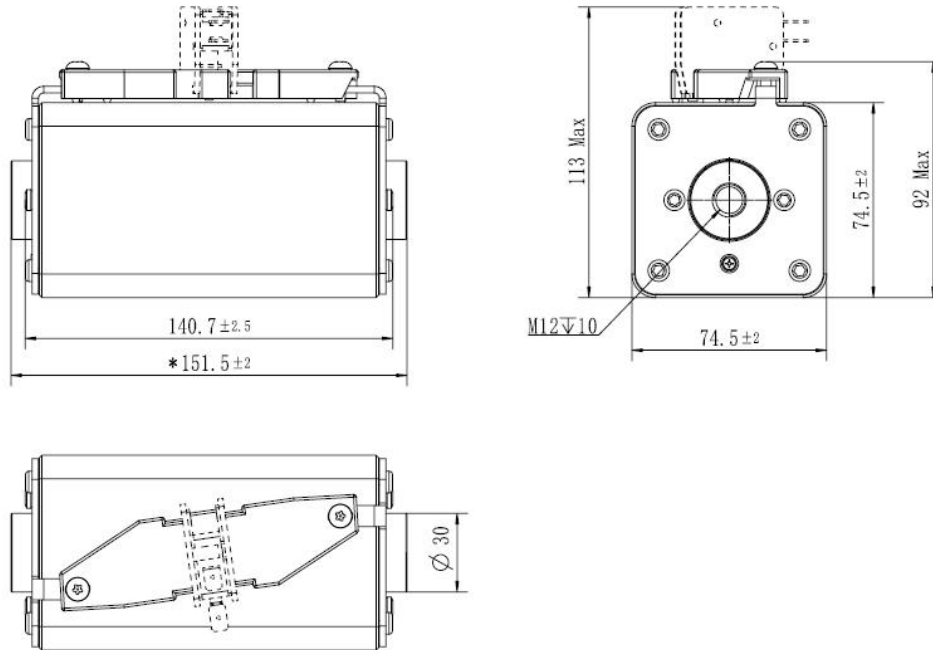
Box specifications (mm)	Packing quantity / per container	Weight/PCS (g) without microswitch	Recommended Screw	Recommended tightening torque (N·m)
395×265×230	6pcs	2316±3%	M10	20±1

AHE4120UB3



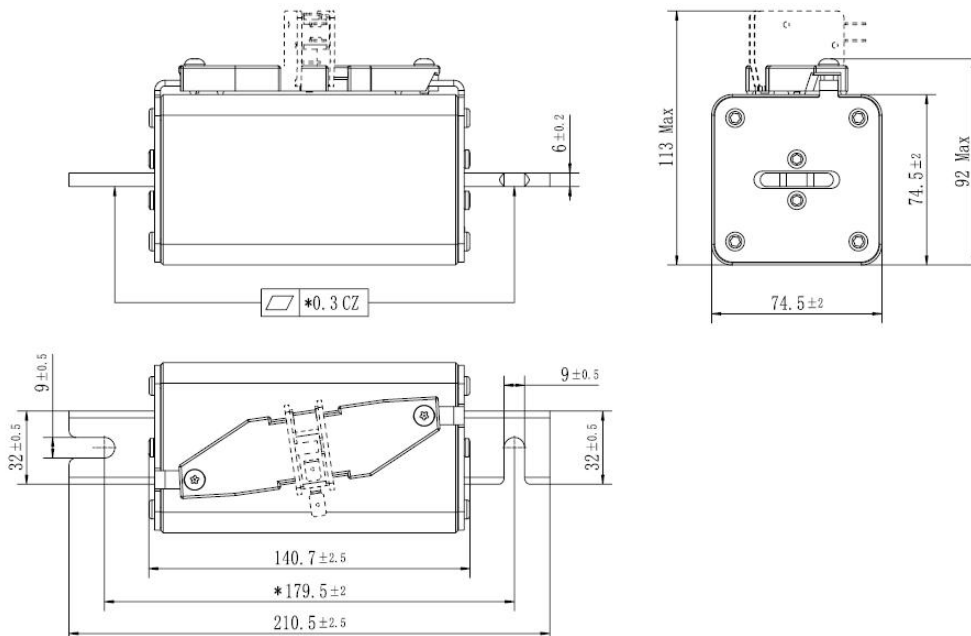
Box specifications (mm)	Packing quantity / per container	Weight/PCS (g) without microswitch	Recommended Screw	Recommended tightening torque (N·m)
395×265×230	6pcs	2314±3%	M14	56±1

AHE4120FL3



Box specifications (mm)	Packing quantity / per container	Weight/PCS (g) without microswitch	Recommended Screw	Recommended tightening torque (N·m)
395×265×230	6pcs	2316±3%	M12	38±1

AHE1200CDB3



Box specifications (mm)	Packing quantity / per container	Weight/PCS (g) without microswitch	Recommended Screw	Recommended tightening torque (N·m)
395×265×230	6pcs	2316±3%	M8	12±1

ELECTRICAL SPECIFICATIONS

Size	Item No.	Part Number				Ampere Code	Rated Current / A	Rated Voltage / Vdc	Breaking Capacity	I ² t (A ² s)		Power Loss / W_100% Rated
		Din	Bolted	Flush	Customize					Pre - Arcing	Total	
ESS 3#	1	AHE3315DB3	AHE3315UB3	AHE3315FL3	AHE0315CDB3	3315	315	1500	250kA	21132	76076	129.6
	2	AHE3350DB3	AHE3350UB3	AHE3350FL3	AHE0350CDB3	3350	350	1500	250kA	29035	103654	141.0
	3	AHE3400DB3	AHE3400UB3	AHE3400FL3	AHE0400CDB3	3400	400	1500	250kA	38277	134736	162.7
	4	AHE3450DB3	AHE3450UB3	AHE3450FL3	AHE0450CDB3	3450	450	1500	250kA	54477	189034	178.3
	5	AHE3500DB3	AHE3500UB3	AHE3500FL3	AHE0500CDB3	3500	500	1500	250kA	73708	254293	194.1
	6	AHE3550DB3	AHE3550UB3	AHE3550FL3	AHE0550CDB3	3550	550	1500	250kA	92243	310858	210.7
	7	AHE3630DB3	AHE3630UB3	AHE3630FL3	AHE0630CDB3	3630	630	1500	250kA	130404	429029	235.9
	8	AHE3700DB3	AHE3700UB3	AHE3700FL3	AHE0700CDB3	3700	700	1500	250kA	180848	582330	256.8
	9	AHE3800DB3	AHE3800UB3	AHE3800FL3	AHE0800CDB3	3800	800	1500	250kA	280849	876249	268.0
	10	AHE3900DB3	AHE3900UB3	AHE3900FL3	AHE0900CDB3	3900	900	1500	250kA	404951	1222952	287.8
	11	AHE4100DB3	AHE4100UB3	AHE4100FL3	AHE1000CDB3	4100	1000	1500	250kA	544267	1589259	338.2
	12	AHE4110DB3	AHE4110UB3	AHE4110FL3	AHE1100CDB3	4110	1100	1500	250kA	747801	2108800	347.6
	13	AHE4120DB3	AHE4120UB3	AHE4120FL3	AHE1200CDB3	4120	1200	1500	250kA	1011651	2751692	359.4

Note:TUV File: 50513045 (IEC60269-4) ; UL File: E485737

OPERATION CONDITIONS:

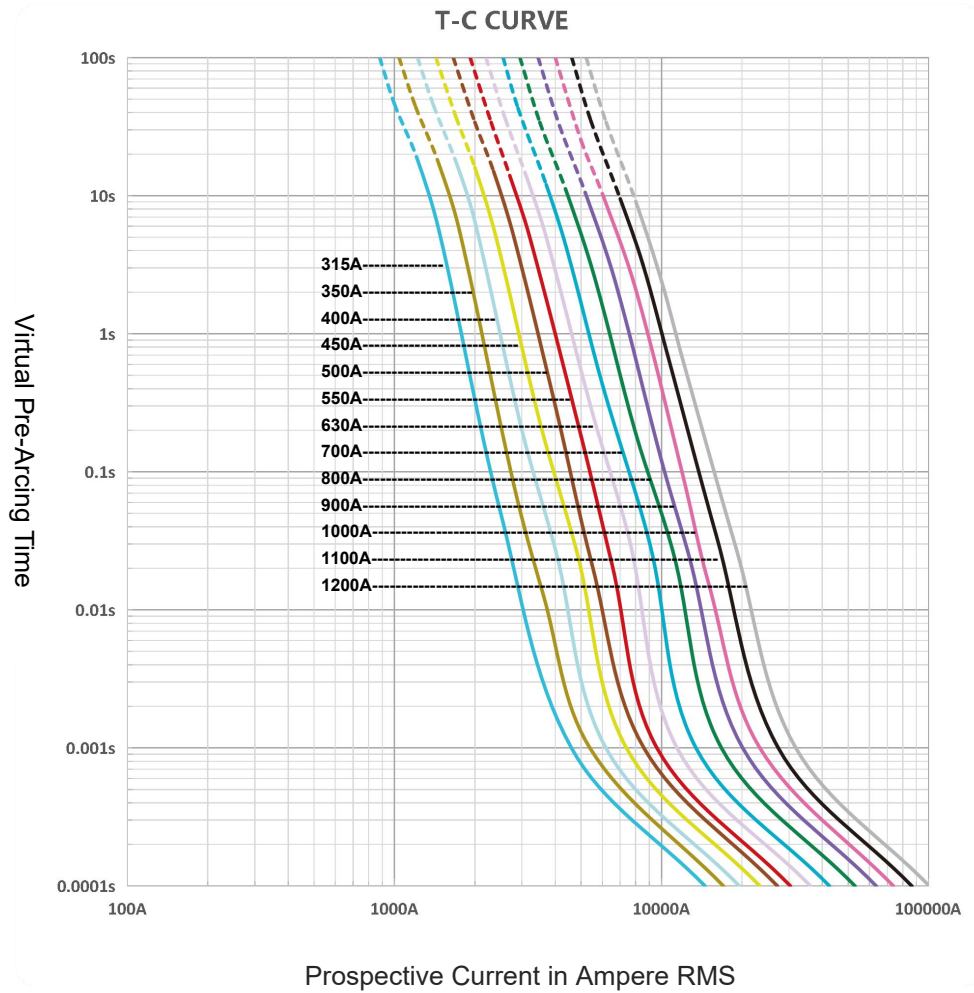
Where the following conditions apply, fuses complying with this standard are deemed capable of operating satisfactorily without further qualification.

- Normal temperature: -5°C ~ 40°C, permissible operating temperature: -40°C-120°C;
- The altitude of the site of installation of the fuses should not exceed 2000 m above sea level and permissible altitude site of installation does not exceed 5000m;
- The air should be clean and it's relative humidity does not exceed 50% at the maximum temperature of 40°C;
- Higher relative humidity is permitted at lower temperatures, e.g. 90% at 20°C;
- Pollution grade III
- Under these conditions, moderate condensation may occasionally occur due to variation in temperatures.
- For operating conditions other that above, please contact manufacturer.

STORAGE:

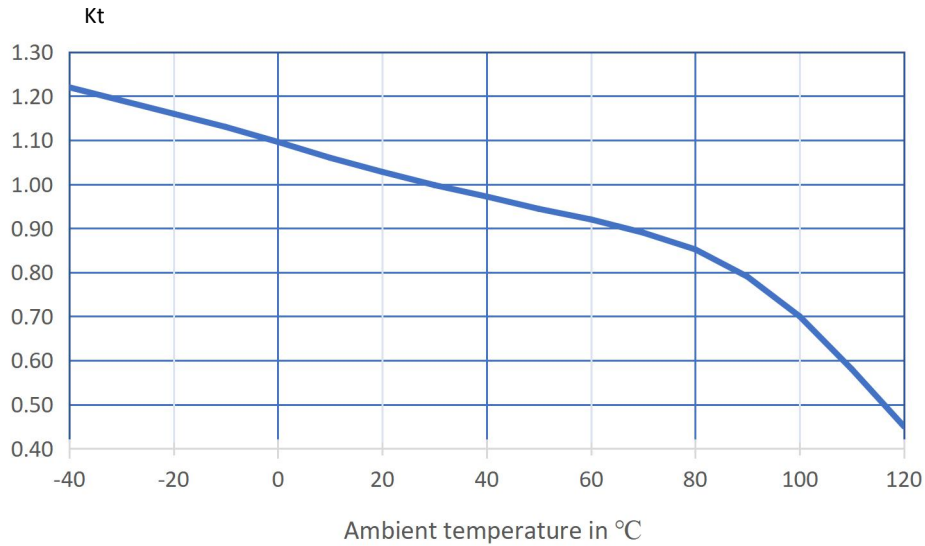
During transportation and storage, avoid water seepage and mechanical damage.

TIME CURRENT CURVE



Temperature Correction Curve

When the fuse is operating below -5°C or above 40°C , The rated current needs additional modification, The correction factor is K_t .



WEB RESOURCES

Download the latest technical documents: www.adlerelectric.com. Specifications are subject to change without notice.