

Hi-MO **S10**

LR7-72HJD

665~685M

Bifacial



Peak Technology:

Advanced HIBC Cell Technology × Multi-Dimensional Efficiency Enhancement Matrix



Value First Choice:

Efficient Empowerment for All Scenarios, Leading Power Output by 15W+



15-year product materials and workmanship warranty



Ultimate Safety:

Reliable Temperature Control Protection, Significantly Reducing Fire Risks



30-year plus linear power output warranty



Simplicity in Excellence:

Front Side without Grid Lines, Aesthetic Design Simple and Elegant

Complete System and Product Certifications

IEC 61215, IEC 61730

IEC62941: Guideline for module design qualification and type approval

ISO9001: Quality Management System

ISO14001: Environment Management System

ISO45001: Occupational Health and Safety



Weran Solar Co., Ltd.,

25.40%
MAX MODULE
EFFICIENCY

0~3%
POWER
TOLERANCE

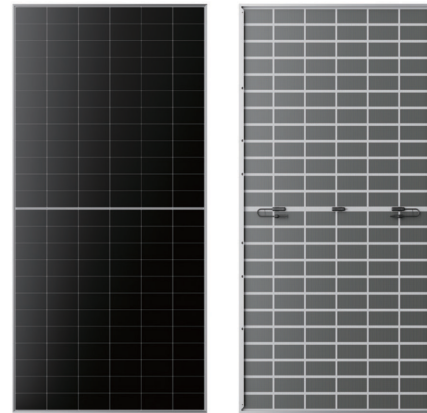
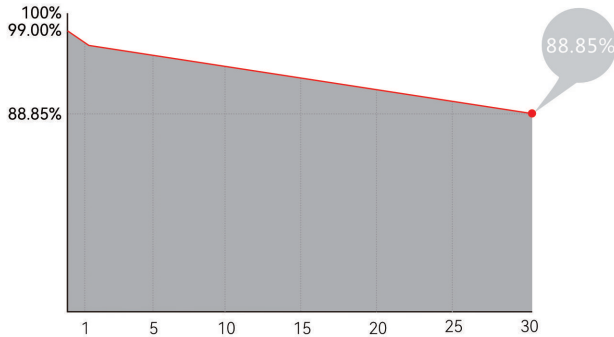
1%
FIRST YEAR
POWER DEGRADATION

0.35%
YEAR 2-30
POWER DEGRADATION

BC-CELL
LOWER OPERATING
TEMPERATURE

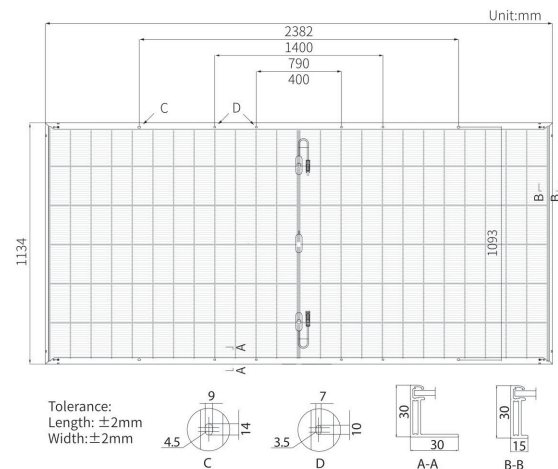
Additional Value

30-Year Power Warranty



Mechanical Parameters

Cell Orientation	144 (6×24)
Junction Box	IP68
Output Cable	4mm ² ; +400/-200mm/±1400mm length can be customized
Glass	Dual glass, 2.0mm semi-tempered glass
Frame	Anodized aluminum alloy frame
Weight	33.5 kg
Dimension	2382×1134×30mm
Packaging	36pcs per pallet / 144pcs per 20' GP / 720pcs per 40' HC



Electrical Characteristics

STC : AM1.5 1000W/m² 25°C Test uncertainty for Pmax: ±3%

Module Type	LR7-72HJD-665M	LR7-72HJD-670M	LR7-72HJD-675M	LR7-72HJD-680M	LR7-72HJD-685M
Testing Condition	STC	STC	STC	STC	STC
Maximum Power (Pmax/W)	665	670	675	680	685
Open Circuit Voltage (Voc/M)	55.10	55.20	55.30	55.40	55.50
Short Circuit Current (Isc/A)	15.28	15.36	15.44	15.52	15.60
Voltage at Maximum Power (Vmp/M)	45.51	45.61	45.71	45.81	45.91
Current at Maximum Power (Imp/A)	14.61	14.69	14.77	14.84	14.92
Module Efficiency(%)	24.60	24.80	25.00	25.20	25.40

Operating Parameters

Operational Temperature	-40°C ~ +85°C
Power Output Tolerance	0~3%
Maximum System Voltage	DC1500V (IEC)
Maximum Series Fuse Rating	30A
Nominal Operating Cell Temperature	45±2°C
Protection Class	Class II
Bifaciality	60±5%
Fire Rating	IEC Class C

Mechanical Loading

Front Side Maximum Static Loading	5400Pa
Rear Side Maximum Static Loading	2400Pa
Hailstone Test	25mm Hailstone at the speed of 23m/s

Temperature Ratings (STC)

Temperature Coefficient of Isc	+0.050%/°C
Temperature Coefficient of Voc	-0.210%/°C
Temperature Coefficient of Pmax	-0.240%/°C