

Single Axis Solar Tracker

We provide the design, customized manufacture, logistics, and one-stop purchasing of solar trackers, meet requirements of different clients.



| Motor

High Torque Slewing Drive

Single Axis Solar Tracker was driven by high torque slewing drive, the maximum torque is 6400N.M, one slewing drive can drive more than 28 solar panels.

| H Strut

High Strength H Strut

BOFU single axis solar tracker uses high strength H-beam steel as the support column to ensure that the tracking bracket is strong enough for long length and durable even in bad weather.



Single Axis Solar Tracker

We provide the design, customized manufacture, logistics, and one-stop purchasing of solar trackers, meet requirements of different clients.



| Purlins

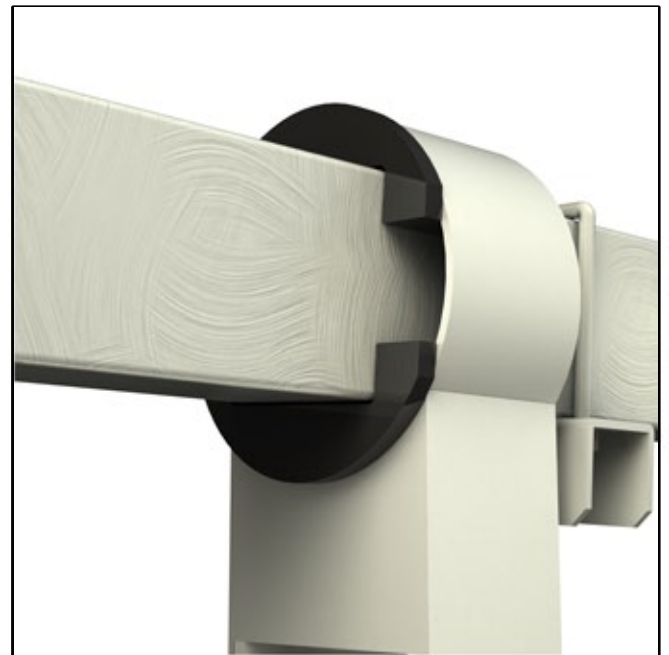
Ω Purlin For Easy Install

The purlins was important for mounting the solar panels, aruch purlins has advantage of light weight, strong with special purlin support, easy installation. Use with fast lock clips, it is easy and fast to mount the solar panels.

| H Bearing

Self-lubricate plastic bearing

The single axis solar tracker use plastic bearing as auxiliary supports. Plastic bearings are low cost, and because of its feature of self-lubricate, it does not require lubricating oil, and easy to install and replacing, effectively reduce costs while meeting the requirements of the solar tracker.



Single Axis Solar Tracker

We provide the design, customized manufacture, logistics, and one-stop purchasing of solar trackers, meet requirements of different clients.



| Dampler

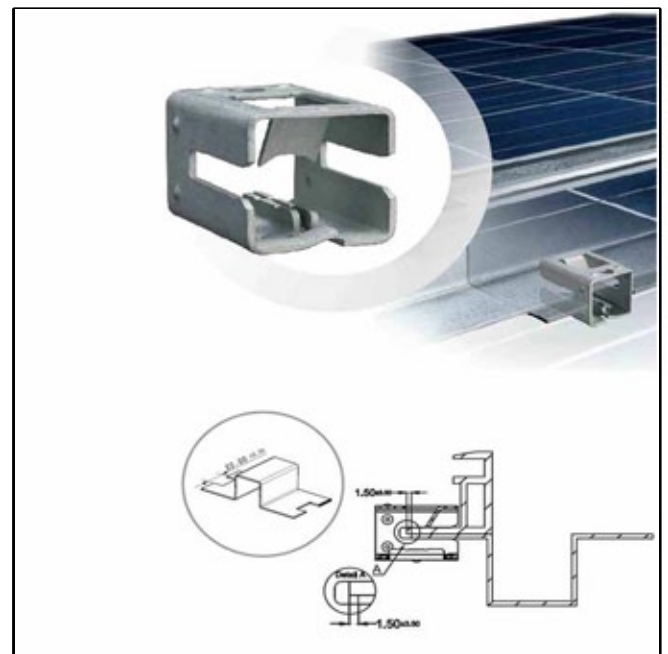
Damplifier for Wind Protect

The length of a single-axis tracker can often reach several dozen metres, so the vortex phenomenon caused by strong winds can cause fatal damage to the tracker. BOFU's tracker uses dampers at certain lengths to combat the vortices, effectively stabilising the tracker system and ensuring the safe use of the entire system.

| Clips

Fast-lock Clips for Mounting

The solar panels were mounted on the purlins with fast-lock clips, no need tools and screws, one panel locked on the purlin by at least 6 clips, only 30 seconds for one solar panel, save time and labor.



Single Axis Solar Tracker

We provide the design, customized manufacture, logistics, and one-stop purchasing of solar trackers, meet requirements of different clients.

Datasheet

ITEM	VALUE
Products Name	Single Axis Solar Tracker
Brand	BOFU
Original	China
Life Span	>25 years
Drive Motor	Slew Drive
Tracking method	Astronomical
Daily Power Consumption	$\leq 0.3\text{kwh/day}$
Tracking accuracy	$\leq \pm 1^\circ$
Tracking Angle	$\pm 45^\circ$
North-south Slope	0°
Safety Working Wind Speed	17m/s
Maximum Snow Load	1.6KN/sqm
Surface treatment	Hot Deep Galvanize
Communicate	RS485