



SN-1000LCD
SN-1500LCD
SN-2000LCD

SN-2500LCD
SN-3000LCD



Features

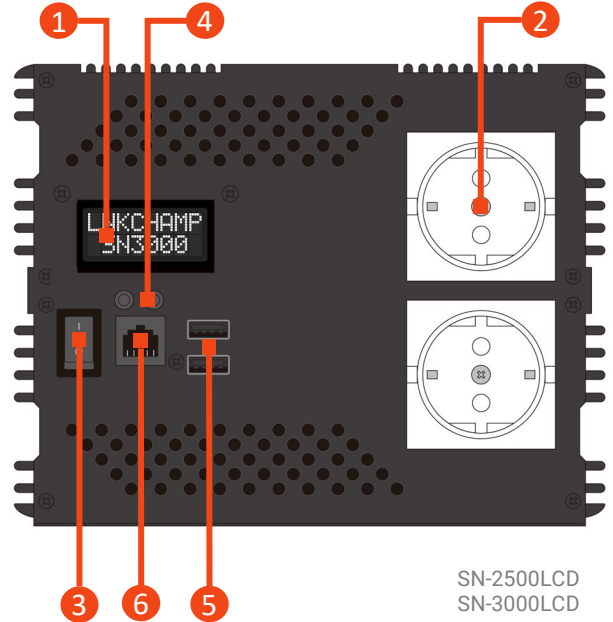
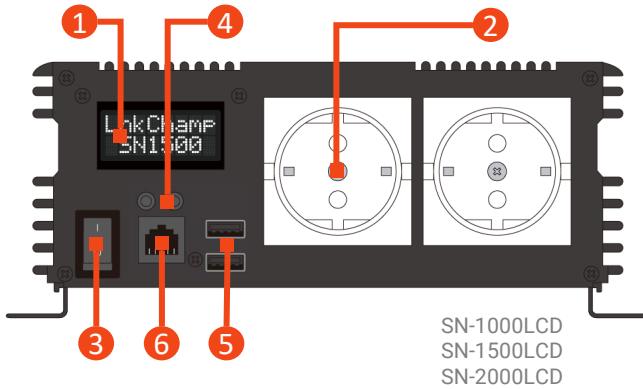
- **NEW** Smart Display & Quick Charge 3.0 USB
- **NEW** Adjustable Settings by Display Button
- Pure Sine Wave Output
- Microcontroller Integrated
- Energy Saving Mode & Intelligent Fan Control
- Input & Output Fully Isolation
- Intelligent PWM Output Regulation
- Multi Pre-Alarm & Shutdown Alarm Protections: Battery Type Detection / Polarity Reverse / Low Voltage Short Circuit / Overheat / Overload
- Aluminum Housing
- 100% Made in Taiwan

| Model | SN-1000LCD | SN-1500LCD | SN-2000LCD | SN-2500LCD | SN-3000LCD | |
|---|--|-------------------|-------------------|--------------------|--------------------|-------------|
| System | | | | | | |
| Continuous Power | 1000W | 1500W | 2000W | 2500W | 3000W | |
| Surge Power | 2000W | 3000W | 4000W | 5000W | 6000W | |
| Output Voltage | EU: 220/230/240 VAC (⚙️ APP); USA: 110/120/127 VAC (⚙️ APP); | | | | | |
| Output Waveform | Pure Sine Wave, 50/60 Hz (⚙️ APP) (<±5% Intelligent PWM) | | | | | |
| Total Harmonic Distortion | < 3% | | | | | |
| Output USB Port | Type A (QC3.0) or Type C (PD) | | | | | |
| Standby Current (Normal) | DC 12V | < 1.0A | < 1.2A | < 2.0A | < 2.5A | |
| | DC 24V/48V | < 0.8A | < 0.9A | < 1.3A | < 1.5A | |
| Standby Current (Saving) | < 0.15A (⚙️ APP) | | | | | |
| Input Voltage | DC 12V: 10~15V; DC 24V: 20~30V; DC 48V: 40~60V | | | | | |
| Efficiency | > 85% | | | | | |
| Working Temperature | -20 ~ 40 °C; 60 °C @40% load; Storage Temperature: -20 ~ 70 °C | | | | | |
| Protection | | | | | | |
| Input Type Auto-Detection | Yes | | | | | |
| Input Polarity Reverse | Fuse | | | | | |
| Input Low Voltage | DC 12V: < 10.5V Pre-Alarm, < 10V Auto-off & Alarm (± 0.3V) DC 24V: < 21.0V Pre-Alarm, < 20V Auto-off & Alarm (± 0.5V) APP DC 48V: < 42.0V Pre-Alarm, < 40V Auto-off & Alarm (± 1.0V) | | | | | |
| Input High Voltage | DC 12V: > 16V Auto-off & Alarm (± 0.5V) DC 24V: > 32V Auto-off & Alarm (± 1.0V) DC 48V: > 64V Auto-off & Alarm (± 2.0V) | | | | | |
| Short Circuit | Yes | | | | | |
| RCD (GFCI) | Optional | | | | | |
| Overheat | > 90°C Pre-Alarm, > 95°C Auto-off & Alarm APP | | | | | |
| Overload | > 110°C Pre-Alarm APP, > 120°C Auto-off & Alarm APP | | | | | |
| Cooling | Intelligent Fan / Force Cooling (⚙️ APP) | | | | | |
| Mechanical | | | | | | |
| Fuse | DC 12V | 25A x 6PCS | 25A x 7PCS | 30A x 8PCS | 25A x 12PCS | 25A x 14PCS |
| | DC 24V | 15A x 6PCS | 15A x 7PCS | 15A x 8PCS | 15A x 12PCS | 15A x 14PCS |
| | DC 48V | 15A x 3PCS | 15A x 4PCS | 15A x 4PCS | 15A x 6PCS | 15A x 7PCS |
| AC Outlets | EU: 2; USA: 2 (GFCI optional) | | | | | |
| Dimension (L x W x H) | 360 x 227 x 88 mm | 360 x 227 x 88 mm | 430 x 227 x 88 mm | 360 x 200 x 157 mm | 430 x 200 x 157 mm | |
| Net Weight | 4.3 kg | 4.6 kg | 5.7 kg | 7.5 kg | 9.0 kg | |
| Display | 8x2 LCD (8x2 OLED optional) | | | | | |
| RC Accessory | RC-S-SN, RC-M-BT, RC-P-INV | | | | | |
| Note: (⚙️): Adjustable by Display Button (APP): Adjustable by App with RC-M-BT | | | | | | |



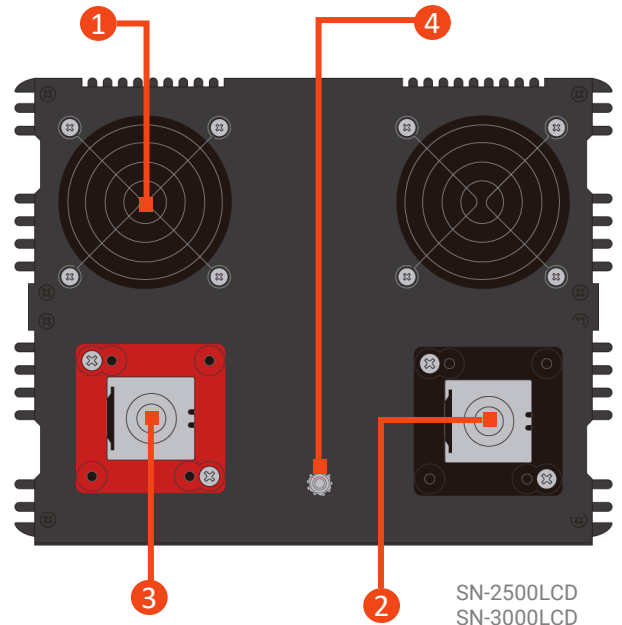
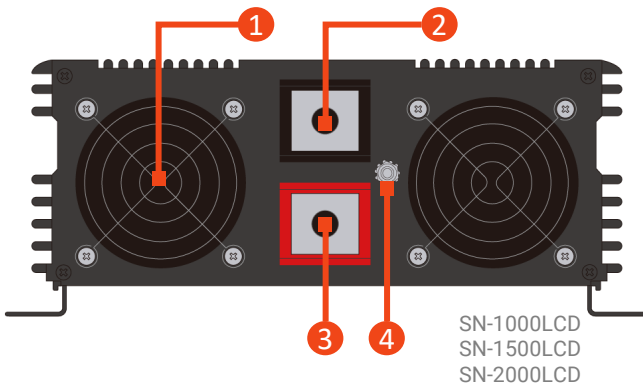
■ Front Panel

- ① 8x2 Display
- ② AC Output
- ③ Main Switch
- ④ Display Select Button
- ⑤ USB Port
- ⑥ Remote Port



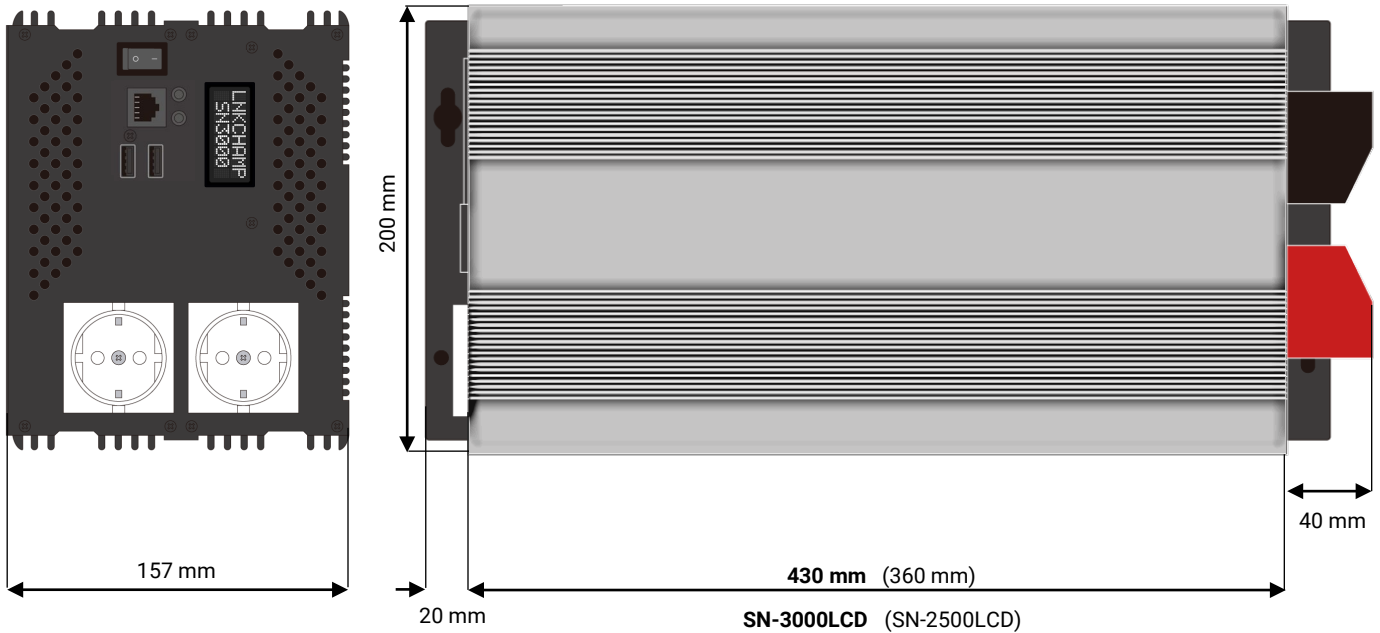
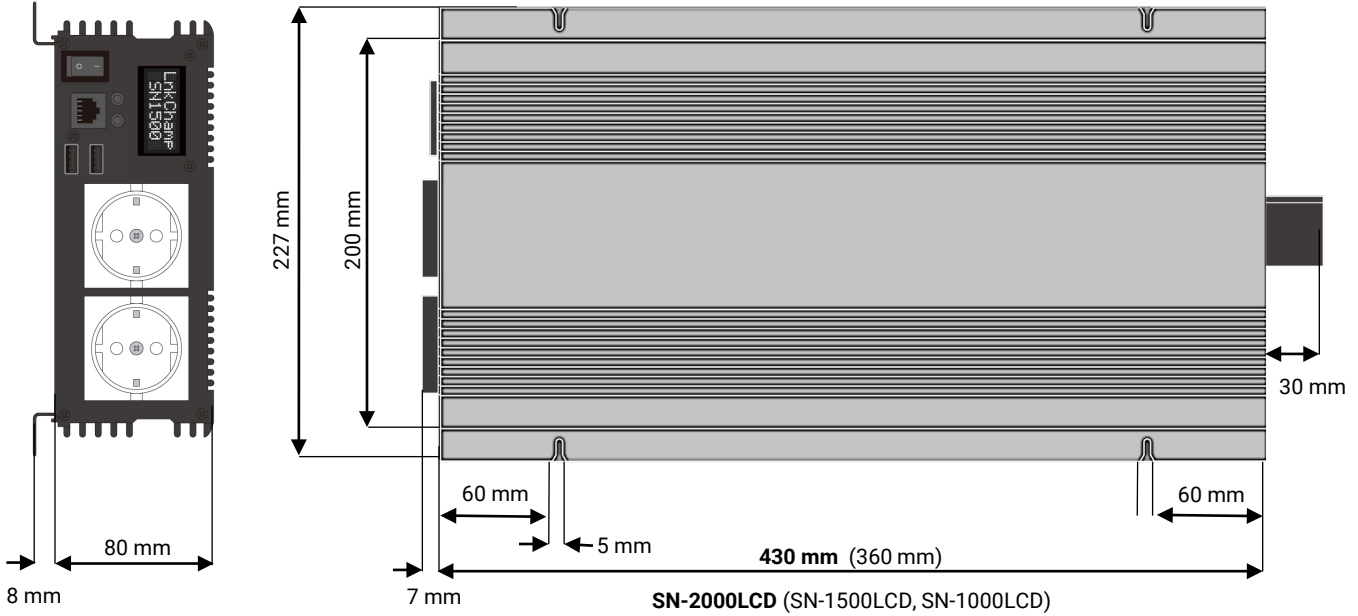
■ Rear Panel

- ① Fan
- ② Negative Terminal
- ③ Positive Terminal
- ④ Ground Terminal



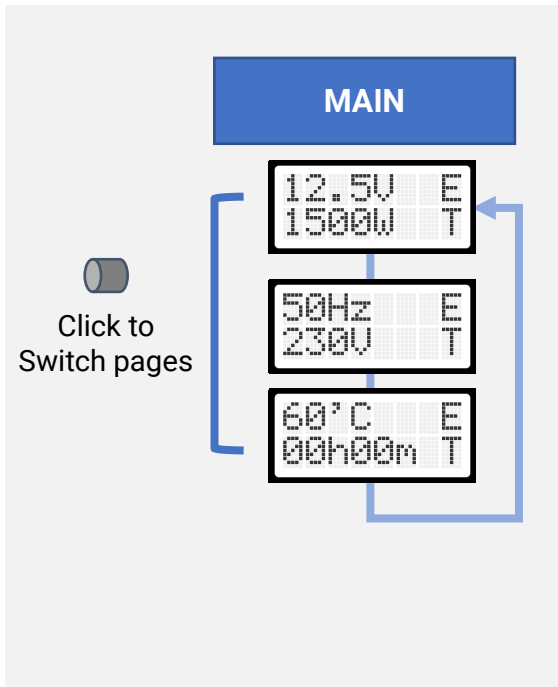


■ Mechanical Drawings

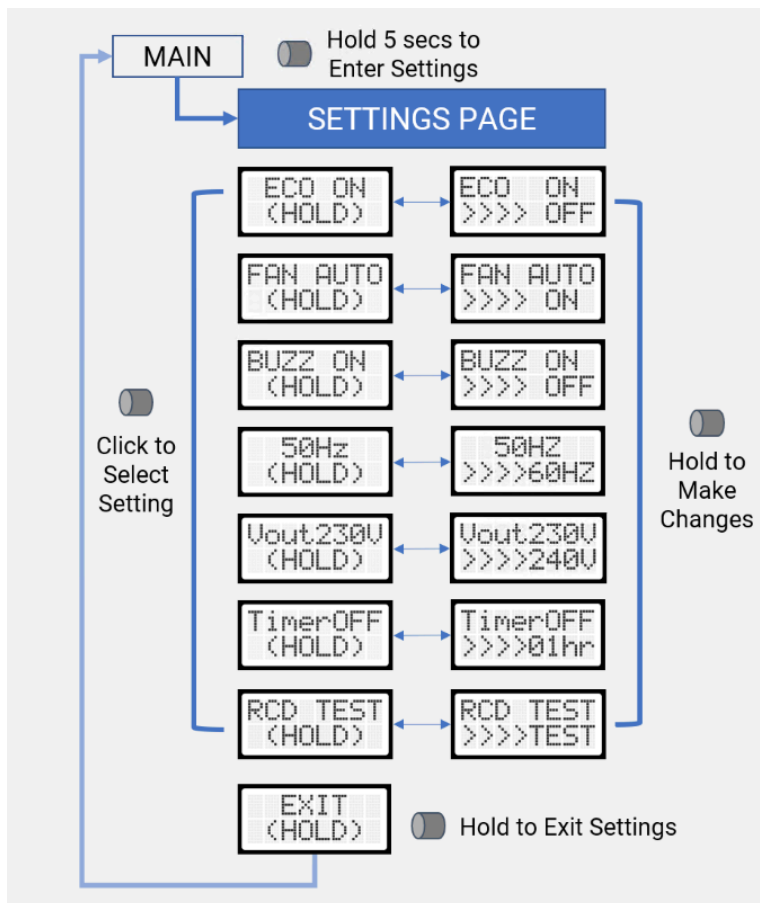
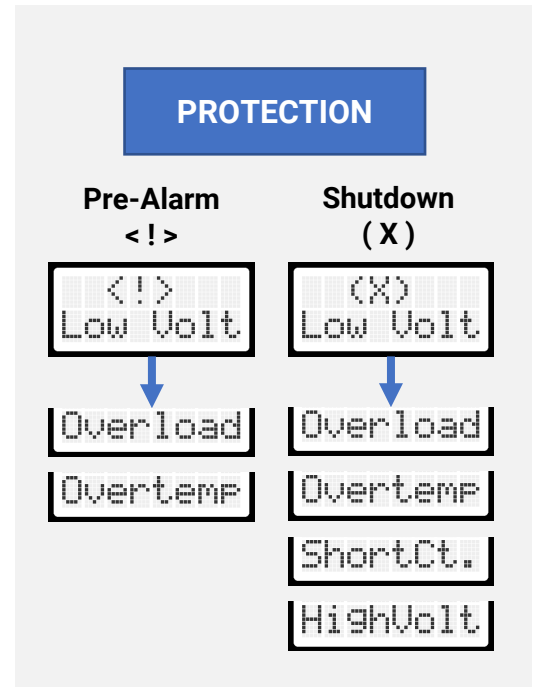




8x2 Smart Display : Display Button



When encountering Protection events





■ **Smartphone Control** (Remote Control RC-M-BT required)

SN-1000LCD
SN-1500LCD
SN-2000LCD
SN-2500LCD
SN-3000LCD



RC-M-BT



Real-time Device Status

Fully Customizable Settings

Advanced Protection Settings

Multi-Languages Support