

# SOLAR MODULE 385 W



72 CELLS - MONOCRYSTALLINE



**ADVANCED PERC CELL TECHNOLOGY**  
Absorbing more light, High module efficiency  
Low breakage rate, Annual power degradation 0.7%



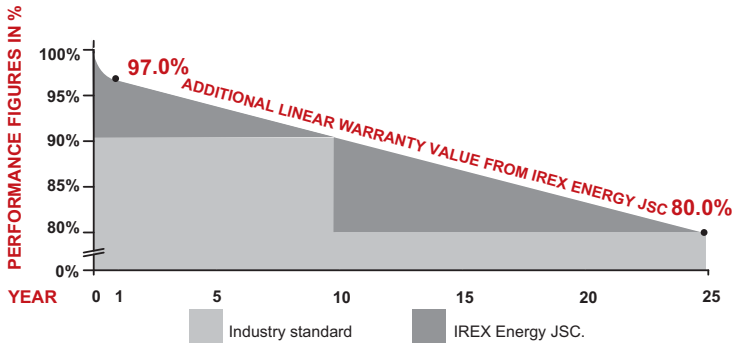
**FAST & SAFE**  
Easy installation and handling  
Environmentally friendly



**MODULE DURABILITY**  
5400 Pa snow load, 2400 Pa wind load  
Ideal for PV rooftops, ground mount, floating



**THE #1 DOMESTIC PV MANUFACTURER IN VIETNAM**  
100% Automatic production line  
International quality PV technology



## CERTIFICATES

- ISO 9001:2015: Quality Management System
- ISO 14001:2015: Environmental Management System
- IEC61215: Terrestrial Photovoltaic (PV) Modules – Design Qualification and Type Approval
- IEC61730: Photovoltaic (PV) Module Safety Qualification
- QMS Certification Services
- LISTED (PHOTOVOLTAIC MODULES) 6768, 6769, 6770, 6771, 6772, 6773, 6774, 6775, 6776, 6777, 6778, 6779, 6780, 6781, 6782, 6783, 6784, 6785, 6786, 6787, 6788, 6789, 6790, 6791, 6792, 6793, 6794, 6795, 6796, 6797, 6798, 6799, 6800, 6801, 6802, 6803, 6804, 6805, 6806, 6807, 6808, 6809, 6810, 6811, 6812, 6813, 6814, 6815, 6816, 6817, 6818, 6819, 6820, 6821, 6822, 6823, 6824, 6825, 6826, 6827, 6828, 6829, 6830, 6831, 6832, 6833, 6834, 6835, 6836, 6837, 6838, 6839, 6840, 6841, 6842, 6843, 6844, 6845, 6846, 6847, 6848, 6849, 6850, 6851, 6852, 6853, 6854, 6855, 6856, 6857, 6858, 6859, 6860, 6861, 6862, 6863, 6864, 6865, 6866, 6867, 6868, 6869, 6870, 6871, 6872, 6873, 6874, 6875, 6876, 6877, 6878, 6879, 6880, 6881, 6882, 6883, 6884, 6885, 6886, 6887, 6888, 6889, 6890, 6891, 6892, 6893, 6894, 6895, 6896, 6897, 6898, 6899, 6900, 6901, 6902, 6903, 6904, 6905, 6906, 6907, 6908, 6909, 6910, 6911, 6912, 6913, 6914, 6915, 6916, 6917, 6918, 6919, 6920, 6921, 6922, 6923, 6924, 6925, 6926, 6927, 6928, 6929, 6930, 6931, 6932, 6933, 6934, 6935, 6936, 6937, 6938, 6939, 6940, 6941, 6942, 6943, 6944, 6945, 6946, 6947, 6948, 6949, 6950, 6951, 6952, 6953, 6954, 6955, 6956, 6957, 6958, 6959, 6960, 6961, 6962, 6963, 6964, 6965, 6966, 6967, 6968, 6969, 6970, 6971, 6972, 6973, 6974, 6975, 6976, 6977, 6978, 6979, 6980, 6981, 6982, 6983, 6984, 6985, 6986, 6987, 6988, 6989, 6990, 6991, 6992, 6993, 6994, 6995, 6996, 6997, 6998, 6999, 7000

## HIGH QUALITY FOR PROSPERITY

IREX Energy Joint Stock Company produces the #1 Vietnamese-Made Photovoltaic (PV) modules, internationally certified with excellent performance and flexible in customization per demand.

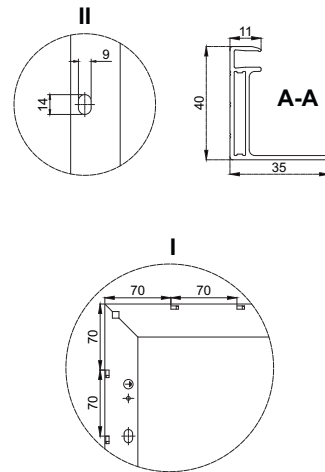
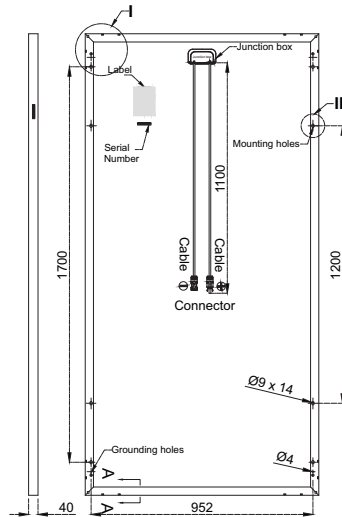
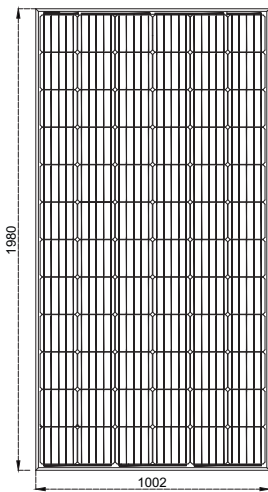
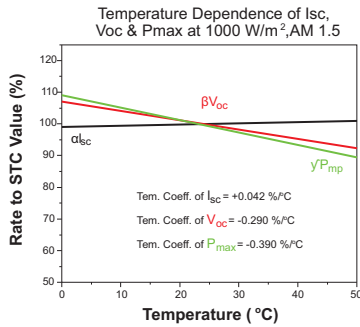
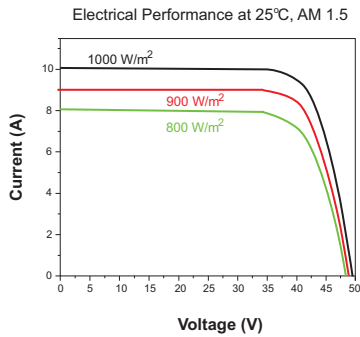
Going solar requires a long-term commitment. For this, all our solar modules are insured by MunichRe, world's best reinsurance provider. You can sit back, relax and enjoy the sunshine; as our company and warranty partner will always be with you in 25 years!

With the finest price and customer service can only be found at IREX Joint Stock Company, we look forward to working with you soon!

**IREX ENERGY JOINT STOCK COMPANY**  
**Head Office:** No. 47, Le Van Thinh Street, Quarter 5, Binh Trung Dong Ward, Thu Duc City, HCMC, Vietnam  
**Factory Address:** Road No. 1A, Phu My 1 Industrial Zone, Tan Phuoc Ward, Phu My Town, Ba Ria - Vung Tau Province, Vietnam  
**Tel:** +84-28-7300-1559 | **Email:** info@irex.vn | **Website:** www.irex.vn  
**Fax HCMC:** +84-28-7300-6760 | **Fax IREX Factory:** +84-254-2923-594



## PERFORMANCE



Drawing Only for Reference

## ELECTRICAL CHARACTERISTICS STC

IRM72S1-385

Maximum Power (Pmax)	385 W
Power Tolerance (Wp)	0 ~ 5
Module Efficiency	19.41%
Maximum Power Current (Imp)	9.65 A
Maximum Power Voltage (Vmp)	39.90 V
Short Circuit Current (Isc)	10.09 A
Open Circuit Voltage (Voc)	49.30 V

Values at Standard Test Conditions

(STC: AM 1.5 Spectrum, Irradiance of 1000 W/m², Cell Temperature 25°C)

## ELECTRICAL CHARACTERISTICS NMOT

IRM72S1-385

Maximum Power (Pmax)	304.15 W
Maximum Power Current (Imp)	7.47 A
Maximum Power Voltage (Vmp)	40.72 V
Short Circuit Current (Isc)	7.91 A
Open Circuit Voltage (Voc)	48.11 V

Values at Nominal Module Operating Temperature

(NMOT: AM 1.5 Spectrum, Irradiance of 800 W/m², Ambient Temperature 20°C, Wind Speed 1 m/s)

## MECHANICAL CHARACTERISTICS

Cell Type  
Front Cover  
Back Cover  
Frame  
Junction Box  
Dimension  
Output Cable  
Weight  
Connector

158.75 x 158.75 mm Monocrystalline, 72 (6 x 12) pcs in series  
3.2 mm High Transmission, Low Iron, Tempered Glass with Anti-Reflective Coating  
Composite film (Black/White)  
Anodized Aluminum Alloy type 6063 - T5 (Black/Silver)  
3 bypass diodes, IP 68 rated in accordance with IEC 62790  
1980 x 1002 x 40 mm  
4 mm² (IEC)/ 12 AWG (UL), 1100 mm in accordance with IEC 62852  
23 kg (approx)  
MC4 Compatible

## PACKING INFORMATION

Container	20' GP	40' GP	40' HQ
Pallets per Container	10	22	22
Pieces per Container	270	594	638

## OPERATING CONDITIONS

Operating Temperature	-40°C ~ +85°C
Maximum System Voltage	1500 VDC
Maximum Series Fuse Rating	20 A
NMOT	45°C ± 2°C
Application Class	Class A