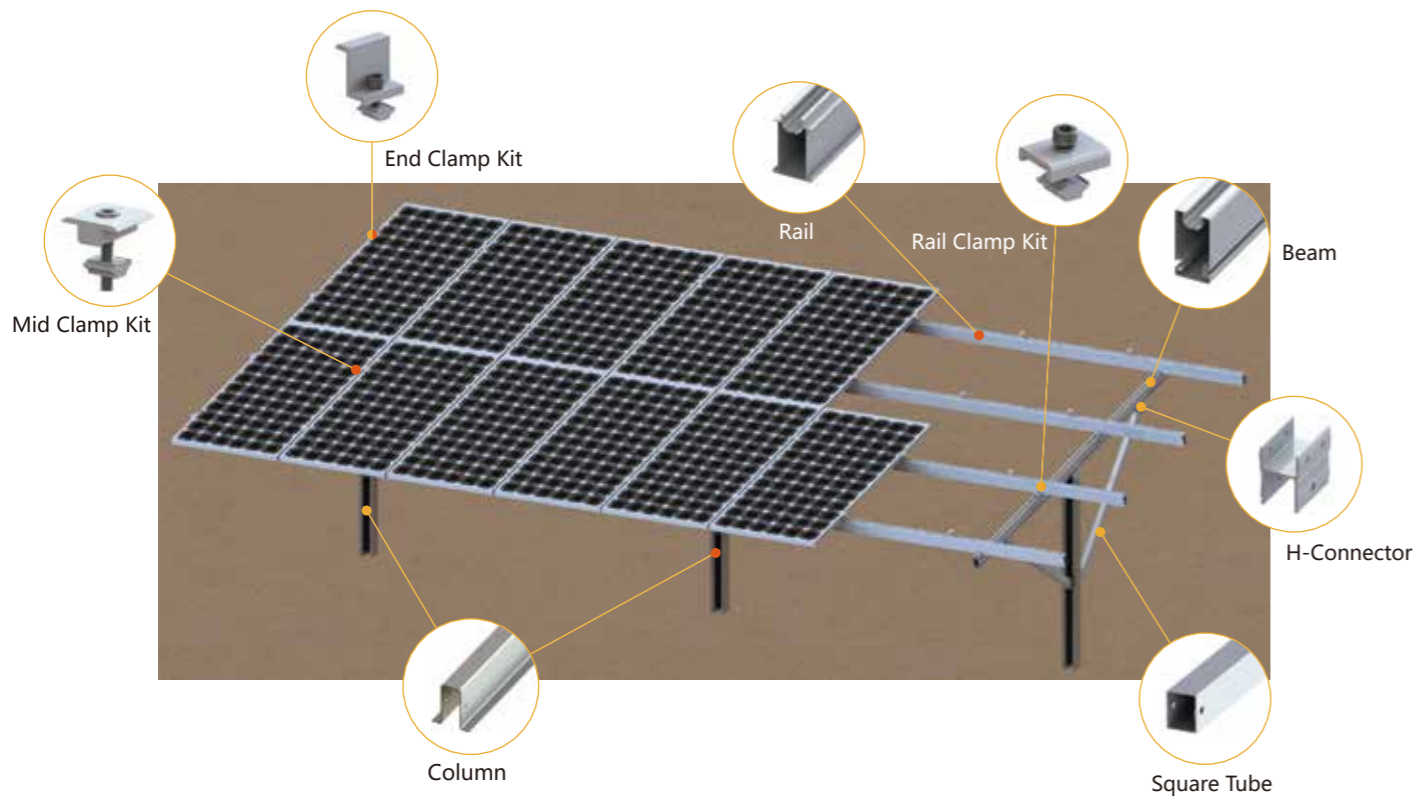
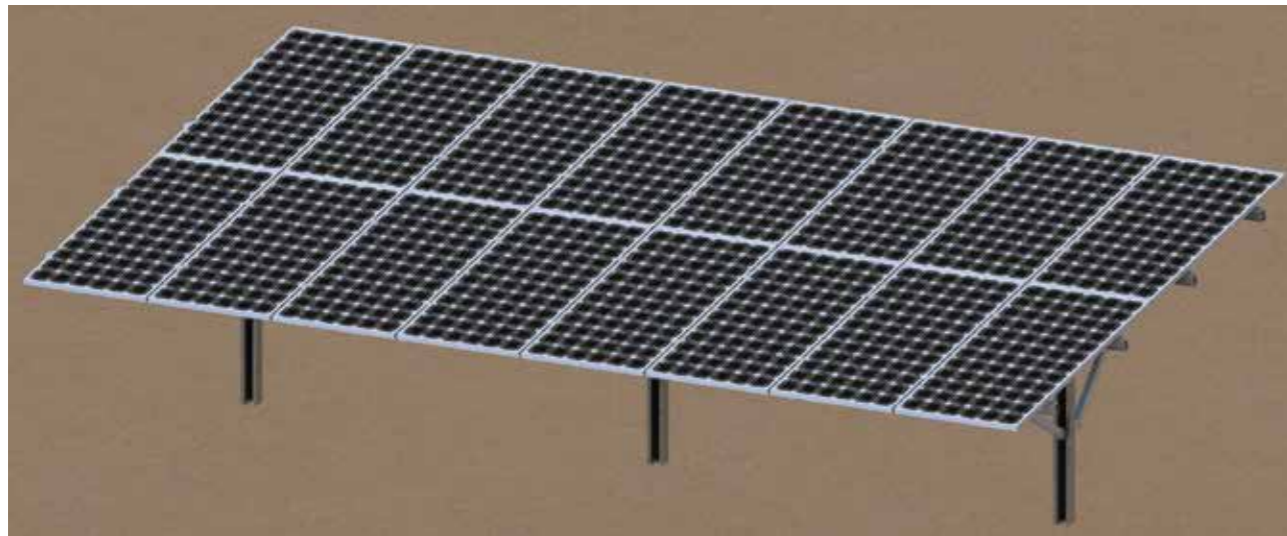


RAMMING PILE GROUND MOUNT



Installation Steps

01 Piling

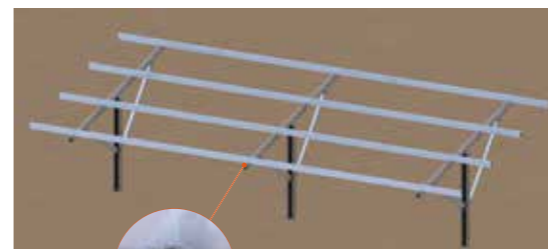


02

Install the pre-assembled bracket (The pre-assembled bracket is a complete set, which can be easily installed on site, and can greatly reduce the construction period on site)

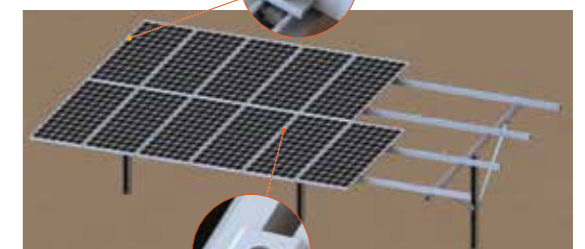


03 Intall rails



Lock rails with rail clamps

04 Install panels



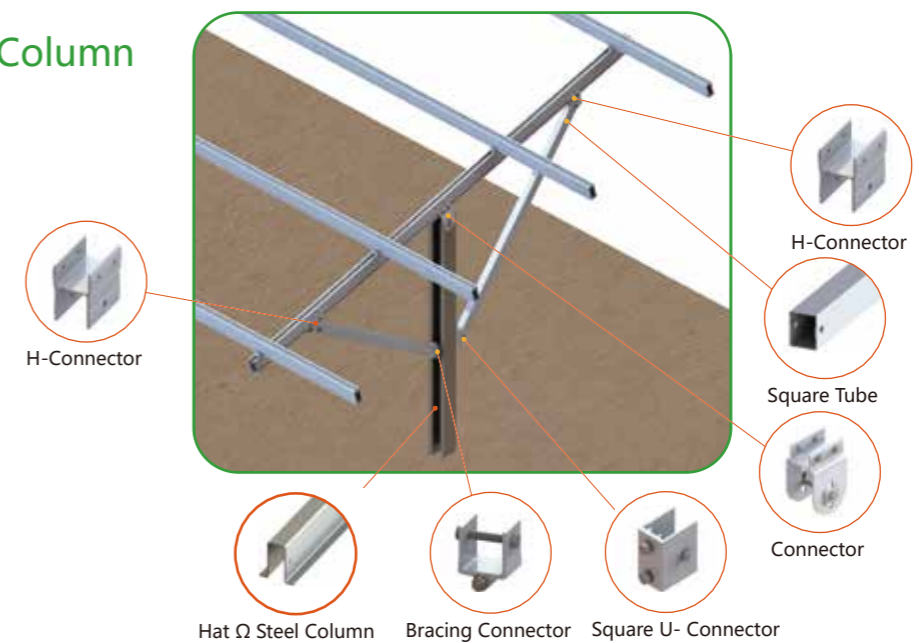
Fix the panels by end clamps



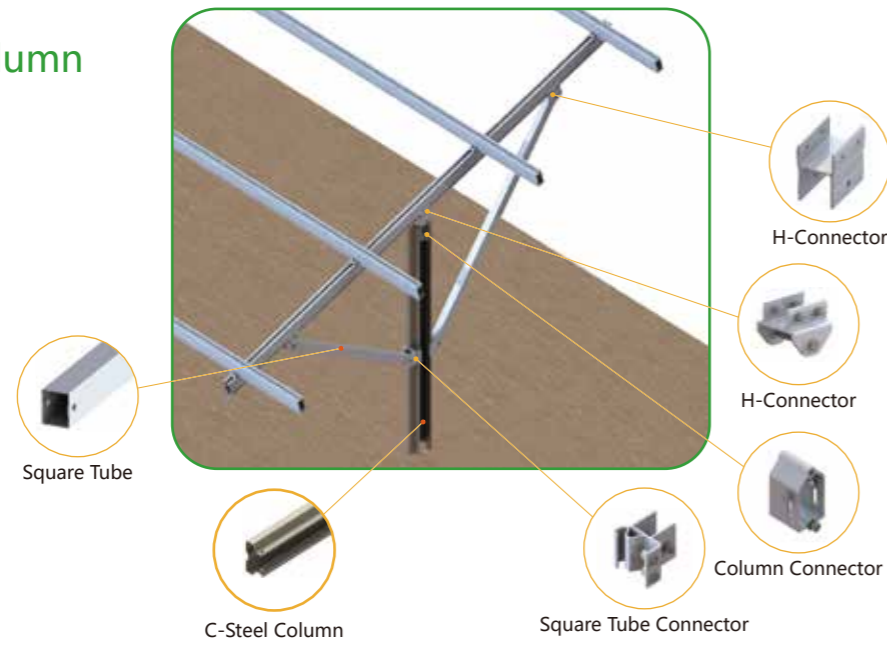
Fix the panels by mid clamps

Available Types of Columns

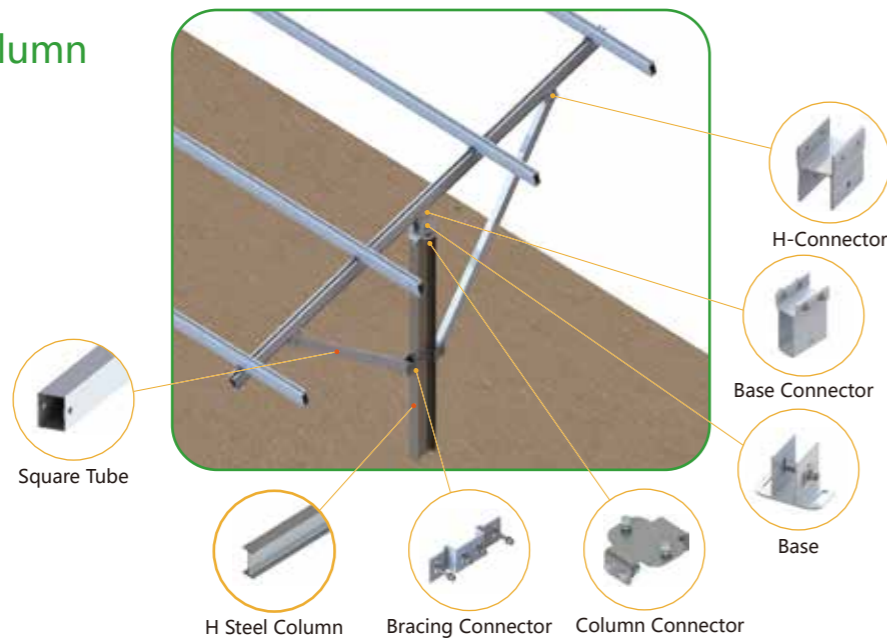
① Hat Ω Column



② C Column



③ H Column



Technical Details

Design Description: especially suitable for hillsides and uneven ground areas.

Installation	Ground
Wind Load	up to 60m/s
Snow Load	1.4kn/m ²
Standards	AS/NZS1170, JIS C8955:2017, GB50009-2012, DIN 1055, IBC 2006
Material	Anodized AL6005-T5, Hot Dip Gavanized Steel Q235, SUS304
Warranty	10 Years Warranty and 25 Years Service Life

