

---

2016

**Wuxi Solarfu Mechanical Equipment Manufacturing Co.,LTD**

Product Catalogue

---

# Company Profile

---

.Wuxi Solarfu mechanical equipment manufacturing co.,LTD is a high-tech enterprise specialized in the photovoltaic power generation system and the R&D, sales, manufacturing and service of solar bracket. founded in 2010 and has two production bases in Jiangsu China.both of our bases can arrive in any cities in Yangtze River Delta within 2 hours.

.With the aim to popularize new clean energy,we have built relationships with many partners in Japan, Malaysia,the Middle East and other regions. Currently we are one of the major bracket supplier in Japan pv market.

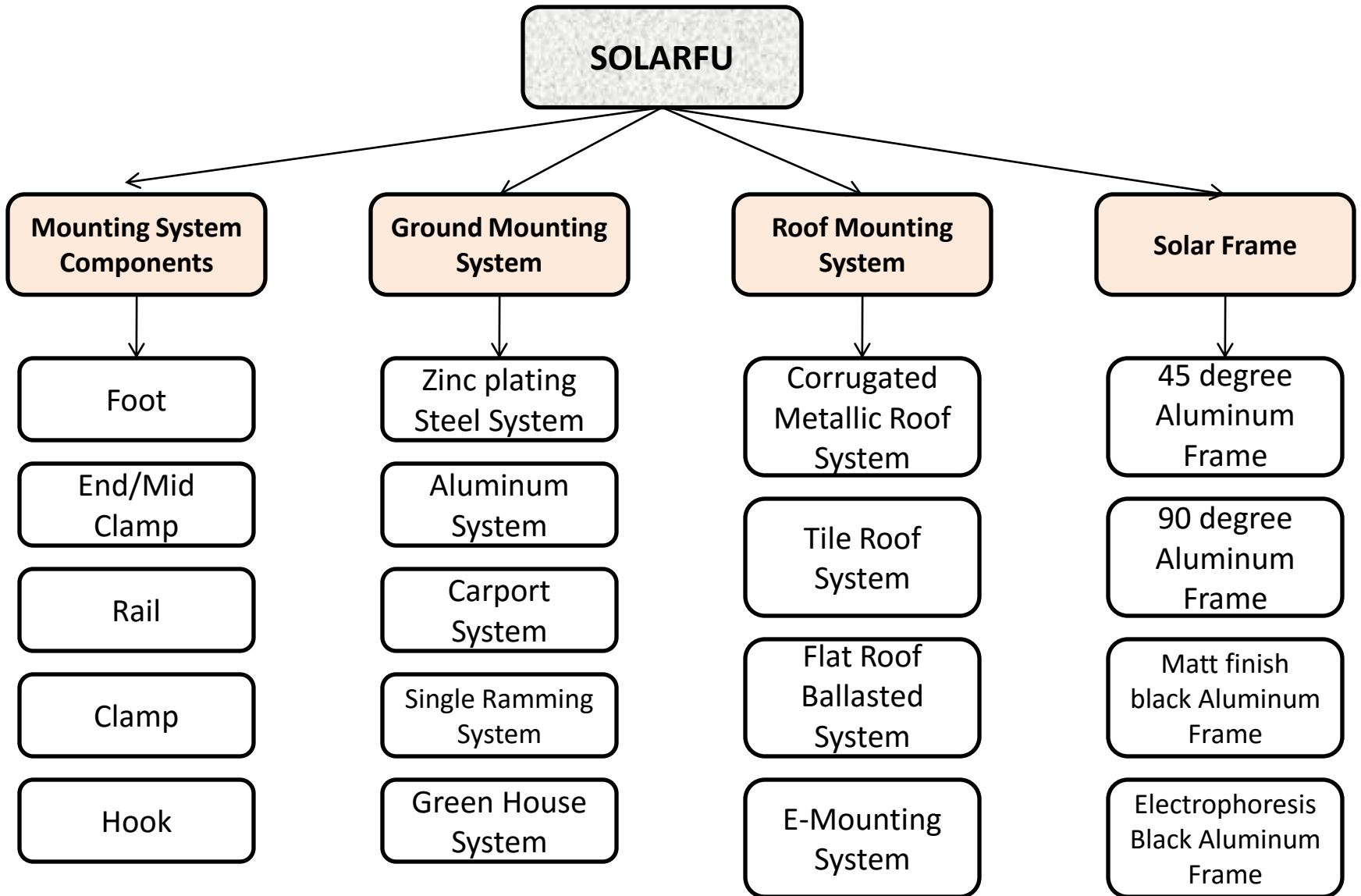
.Our Main products include ground mounting system, tracking system, roof mounting system, carport system, greenhouse system and relevant accessories, such as clamps, hooks, aluminum profiles and channel steels, etc.

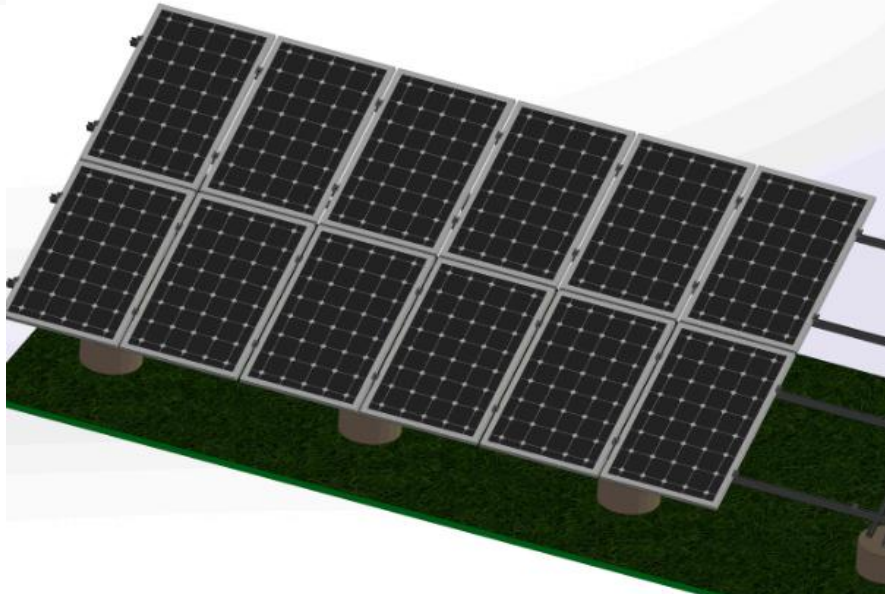
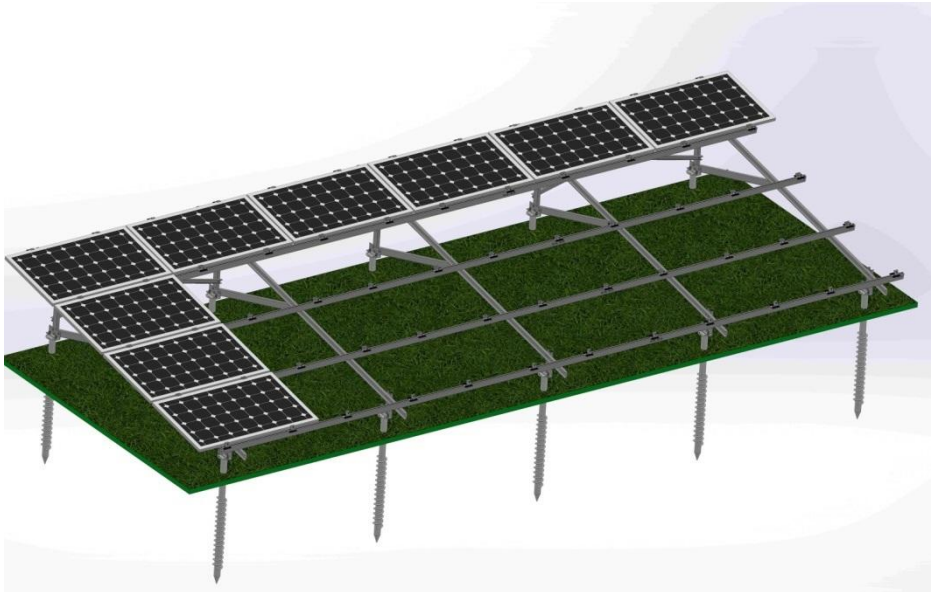
. Solarfu has passed ISO 9001 and other various qualified certifications, The production process is always adhere to the ISO 9001:2000 quality management system and the industry standards. The company continues to forge ahead, and strives to become a world-class leading enterprise of pv products.We warmly welcome you for popularizing the clean energy together with us.



# Production Line

---





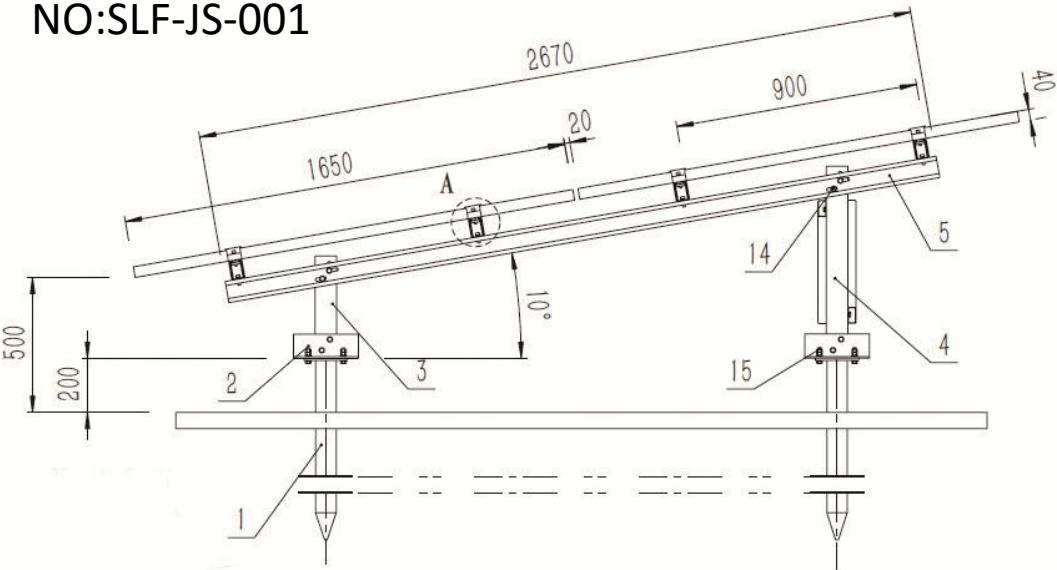
## Ground Double Column Bracket Series

---

1. High cost performance: According to strict calculate analysis , main parts passed reasonable and strict test, assure the request of wind and snow at project place, working life is 25 years, brackets have realized standard of structural section, which costs has been well controlled.
2. Installation time: this kind of bracket fits for screw piles and cement base, all parts passed strict preparation by screening, use standard parts to connect, install quickly, optimized install time and workers cost.

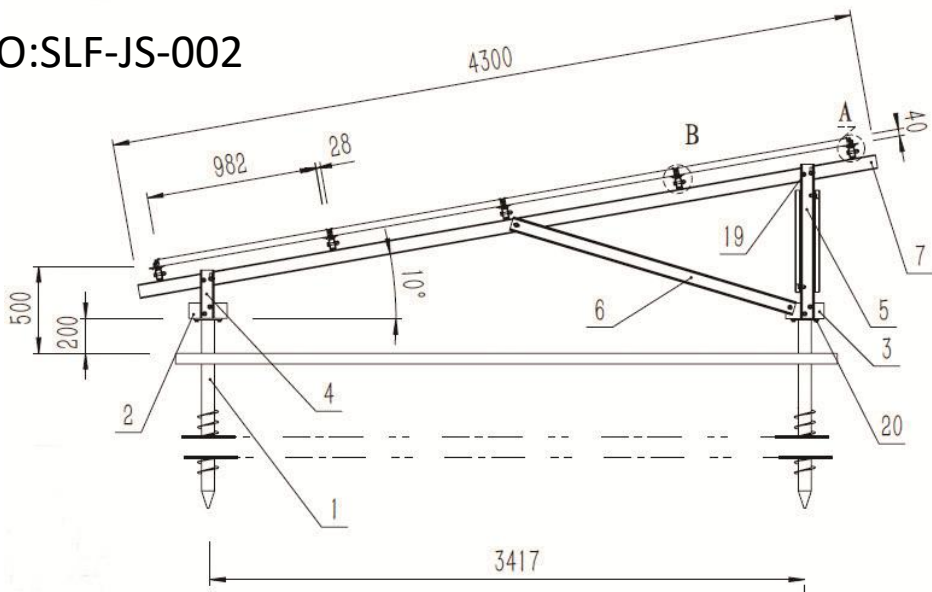
# Ground Double Column Bracket Series Technical Data

NO:SLF-JS-001



Type:Steel Bracket  
Base:Screw Pile  
Column:C Type Steel  
Main Beam:C Type Steel  
Purline:U Type Steel  
Wind Load:36m/s  
Snow Load:0.3KN/m<sup>2</sup>  
Module Alignment:Two Vertical  
Span:3200mm  
Design Basis:JIS C8955

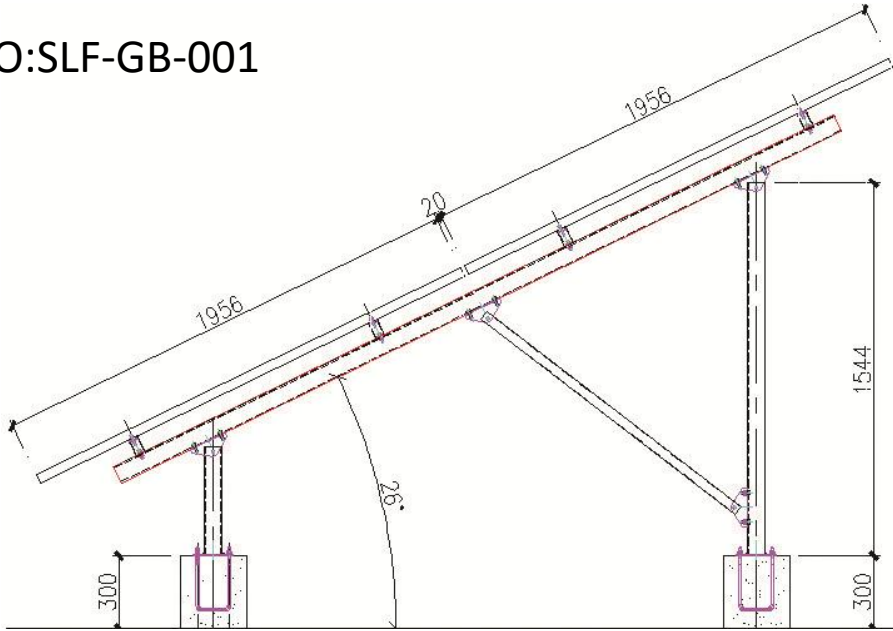
NO:SLF-JS-002



Type:Aluminum Bracket  
Base:Screw Pile  
Column:6063-T6  
Main Beam:6063-T6  
Purline:6063-T6  
Wind Load:36m/s  
Snow Load:0.3KN/m<sup>2</sup>  
Module Alignment:Four Horizontal  
Span:2100mm  
Design Basis:JIS C8955

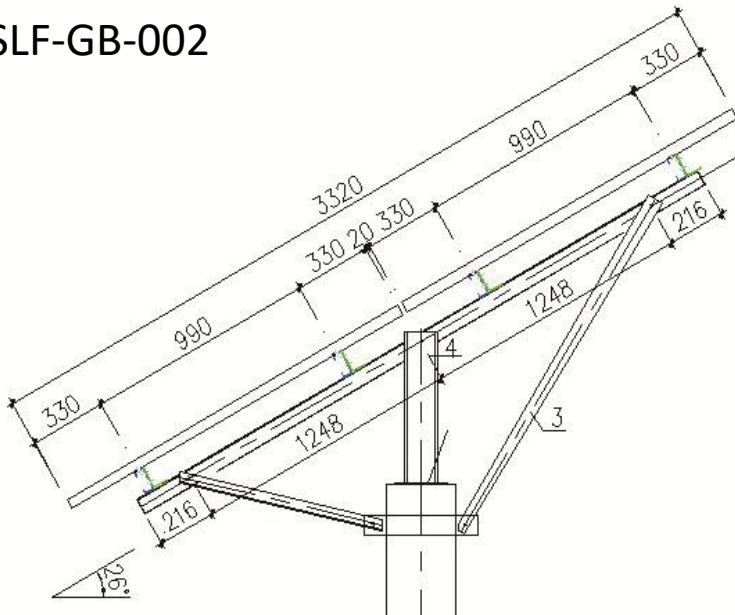
# Ground Double Column Bracket Series Technical Data

NO:SLF-GB-001



Type:Steel Bracket  
Base:Cement Pile  
Column:U Type Steel  
Main Beam:U Type Steel  
Purline:U Type Steel  
Wind Load:28m/s  
Snow Load:0.3KN/m<sup>2</sup>  
Module Alignment:Two Vertical  
Span:3200mm  
Design Basis:GB50797-2012

NO:SLF-GB-002



Type:Steel Bracket  
Base:Static Pressure Tube Pile(fit for fishing light complementary)  
Column:Hot Rolled Plain Steel  
Main Beam:C Type Steel  
Purline:C Type Steel  
Wind Load:28m/s  
Snow Load:0.3KN/m<sup>2</sup>  
Module Alignment:Two Vertical  
Span:3200mm  
Design Basis:GB50797-2012





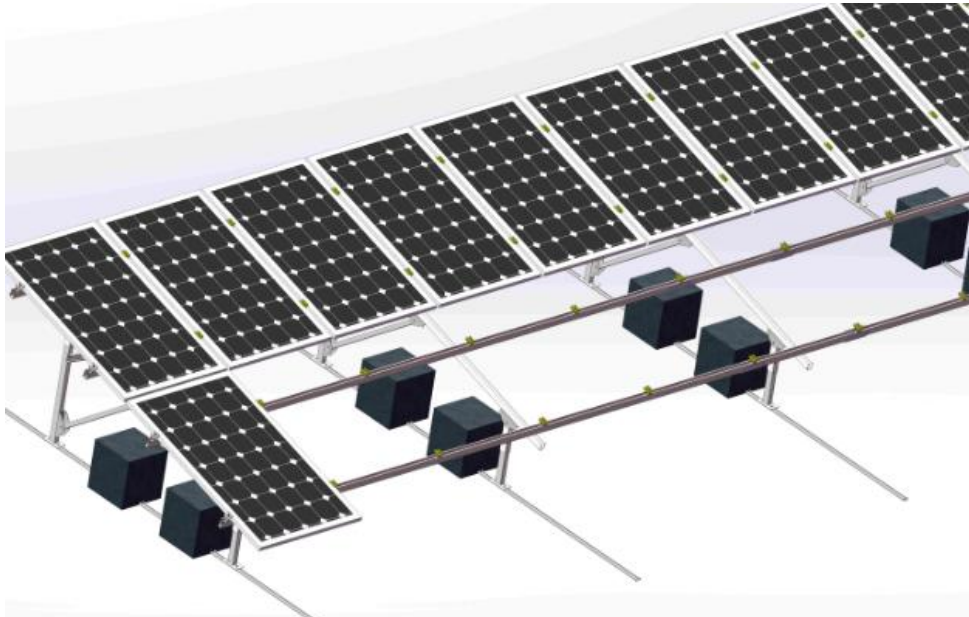
## Corrugated Metallic Roof Bracket Series

---

Corrugated metallic roof brackets are mainly used in distributed solar power station recently, corrugated metallic roof brackets mainly choose different special fixtures according to different W-type, to fix whole bracket system and modules on roof.

The commonly used fixtures are divided into angle chi type、ladder-shaped type and standing seam type according to corrugated metallic roof types, Bracket structural sections selection according to roof live load and wind and snow condition at project place. Recently our company's corrugated metallic roof brackets have advantages of convenient connection and easy to install.





## Cement Roof Bracket Series

---

Cement bracket divides into cement base bracket、ground net structure bracket and bob-weight according to connection mode. Should combine roof 's waterproof, house structure's loading to choose bracket . Our company's bracket designs are on the basis of above conditions, design high cost performance for customers.





## E-Mounting System

---

Wind-deflector enhances wind load performance, permitting system safety without penetration.

Wind-deflector enhances wind load performance, permitting system safety without penetration.

No roof penetration system can be easily removed when needed, good wire management, design to work with standard modules.

Easy, quick installation reduces labor and overall BOM costs.

# E-Mounting System

Application	Ballasted Flat Roof
Material	Ryntie HR540SUV BK544(BRACKET AND SPACER)
Dimensions	185x128x245mm(example,depends on module type)
Weight	1.2kg/set
Module Type	standard framed PV module
Module Orientation	Landscape
Array Angle	10°
Roof Pitch	0~6°
Installed Weight	2.5~4 psf
Wind Load	53.6m/s
Snow Load	5400pa/m <sup>2</sup>

- .Quick installation
- .Tool-free installation
- .Non-penetration system
- .Corrosion resistance
- .Without grounding
- .Lightweight
- .Resistance to the PID
- .Overall cost reduction

## Overall cost comparison Project 5KW as an example

Overall cost **0.7rmb/W**

5 workforce needed

8 working hour needed

Bracket cost 0.3rmb/W

Traditional  
System

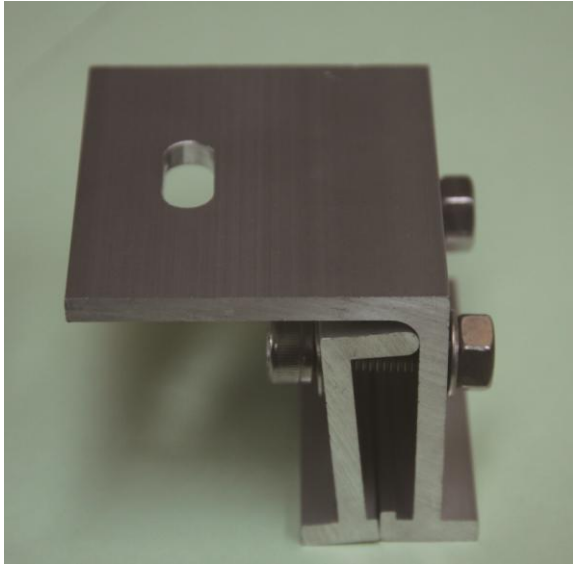
Overall cost **0.66rmb/W**

2 workforce needed

1 working hour needed

Bracket cost 0.5rmb/W

E-mounting



Standing Seam Series

---

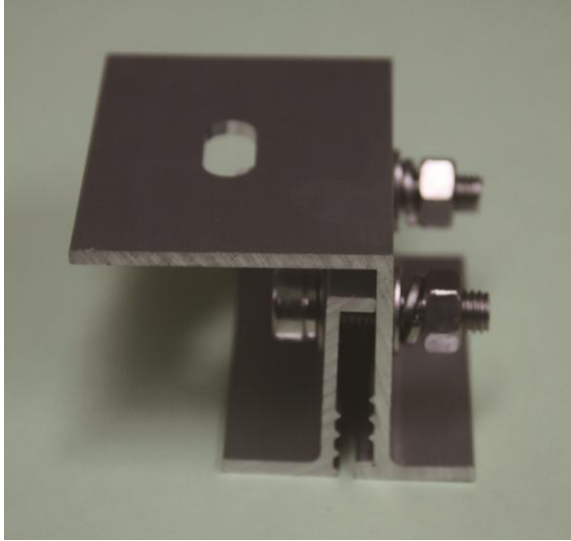
SLF-ZLS-001



Standing Seam Series

---

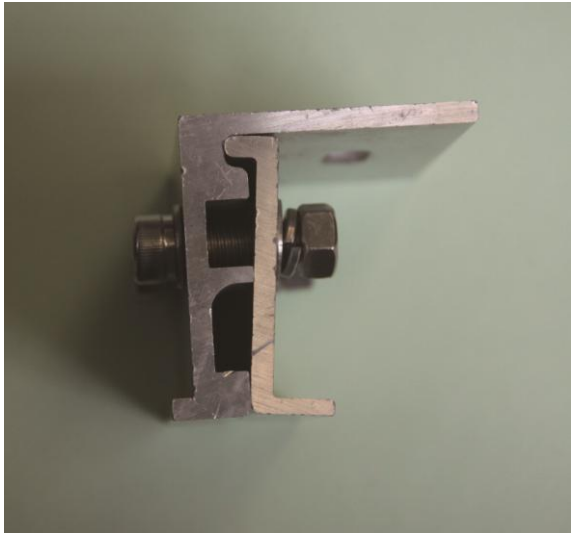
SLF-ZLS-002



Standing Seam Series

---

SLF-ZLS-003



Standing Seam Series

---

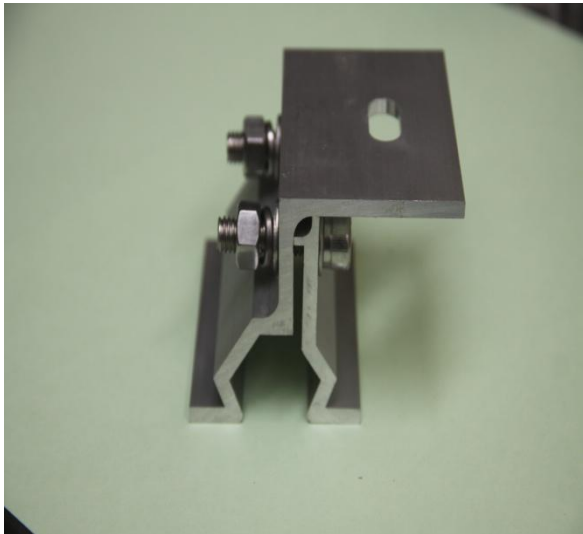
SLF-ZLS-004



Angle Series  
For Color Steel Plate

---

SLF-JC-001



Angle Series  
For Color Steel Plate

---

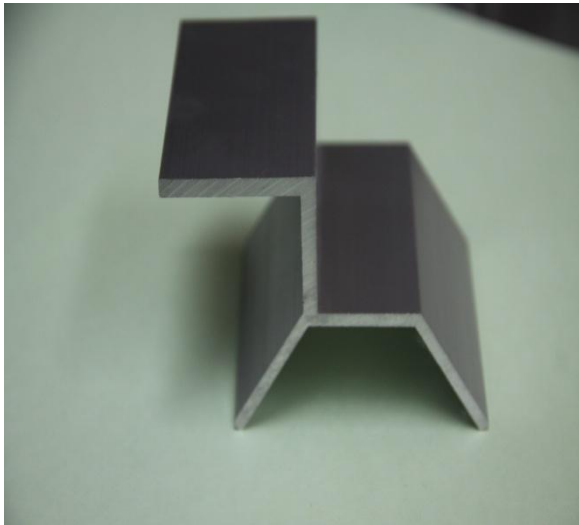
SLF-JC-002



Angle Series  
For Color Steel Plate

---

SLF-JC-003



Trapezoid Chucking

---

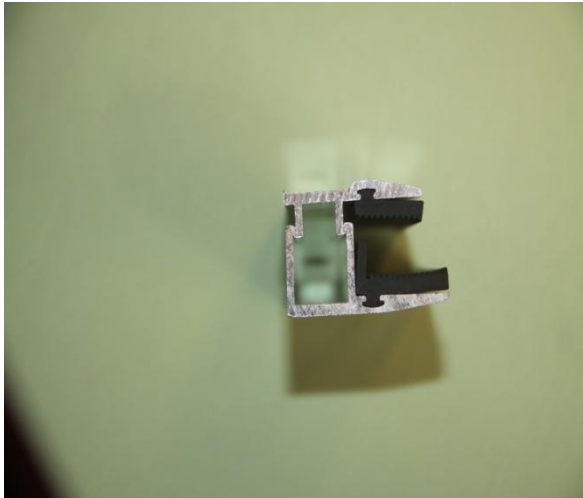
SLF-JC-004



Thin-film Module  
Double Module with Middle Clamp

---

SLF-DM-001



Thin-film Module  
Double Module with Edge Clamp

---

SLF-DM-002





Middle Clamp with Sawtooth

---

SLF-DC-001



Edge Clamp with Sawtooth

---

SLF-DC-002



Bracket Column Waterproof Cover

---

SLF-PC-001



Lead Rail

---

SLF-LR-001



Lead Rail

---

SLF-LR-002




Lead Rail Connection

---

SLF-LR-003

# Manufacturing Capacity

**STANDARD**  
BEIJING STANDARD CERTIFICATION CENTRE

  
**QUALITY MANAGEMENT SYSTEM  
CERTIFICATE**

Registration No. : 064-14-Q-0938-R0-M

This is to certify that  
**Wuxi Suolafu Machinery Equipment  
Manufacturing Co., Ltd.**




Organization code: 55707747-8  
Address: No.19, Gaokai Road, Binhu Economic and Technological  
Development Zone, Binhu District, Wuxi City, 214124

Which is in conformity with  
**GB/T19001-2008 idt ISO9001:2008**

Scope of Certification  
**Processing of metal structural parts (except required qualifications)**

Issue date: 2014-07-18      Term of validity: 2017-07-17

NOTE: From 2015-07-19, the certification is valid only with a corresponding "Notification of Maintaining Registration Qualification" inquires regarding the validity of your certificate can be made, the following website: [www.bjcscc.cn](http://www.bjcscc.cn). Also can query in the CNCA official website [www.cnca.gov.cn](http://www.cnca.gov.cn)

Director: *Yuan Xueyi*  
MANAGEMENT SYSTEM  
CNAS C064-Q

**BEIJING STANDARD CERTIFICATION CENTRE**  
Approval No. : CNCA-R-2002-064  
Address: Room 606, Juanshi Building A, No.50-1, Wangjing West Road,  
Chaoyang District, Beijing  
Web: [www.bjcscc.cn](http://www.bjcscc.cn) Email: [office@bjcscc.cn](mailto:office@bjcscc.cn) Tel: +86-10-64795109



# Projects Worldwide

---



Kimitsu.Japan 2MW



Jiangsu,China 20MW



Shanghai.China 1MW



Osaka.Japan 2MW



Ningxia.China 15MW



Tottori.Japan 5MW

# Solarfu Service

---

## Production Service

There are three automated production lines and 15 punching machines in our factory, annual production capacity can reach 500MW.

## Pre-sale Service

Related products consulting, project construction, preliminary site visit.

## Design Service

Project site mapping and reconnaissance, design, demonstration of project program, implementation of project program

## Project Site Service

Project site technical guidance, project site installation guide, installation and commissioning of products

## Quality Service

Quick response within 24 hours, service time of products can reach 25 years.

---

Thanks

**Wuxi Solarfu Mechanical Equipment Manufacturing Co.,LTD**

Email:jiyang@solarfu.cn

Tel:+86-510-85629850

---