

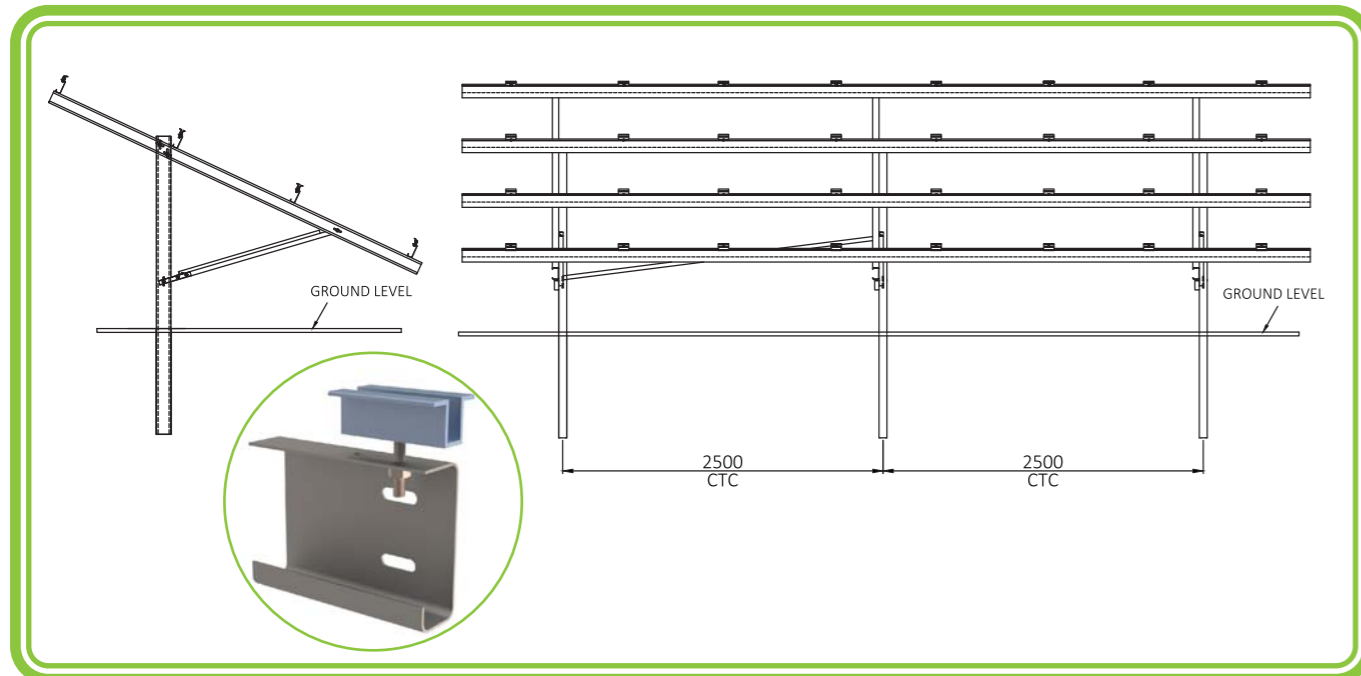
**PSI TOPAZ**

Single Pile Triple Landscape Mounting Systems with Steel Purlins



**System Arrangement**

- This mounting system can be designed and installed in the tables of total length of 12m, 24m & 48m.
- For large scale projects customization of tables could be done.
- The Steel grade used is as per EN 10025 & Hot dip galvanizing to BS EN ISO 1461 : 1999
- The fasteners are used as per CLASS A2 - 70.
- The Inclination / Tilt angle depends on the latitude.
- The distance between the horizontal purlins will be according to the panel dimensions.
- TUV Certified Mounting Systems.



**PSI QUARTZ**

Single Pile Triple Landscape Mounting Systems with Aluminum Purlins



**System Arrangement**

- This mounting system can be designed and installed in the tables of total length of 12m, 24m & 48m.
- For large scale projects customization of tables could be done.
- The Steel grade used is as per EN 10025 & Hot dip galvanizing to BS EN ISO 1461 : 1999 & Aluminum AA 6063 T6
- The fasteners are used as per CLASS A2 - 70.
- The Inclination / Tilt angle depends on the latitude.
- The distance between the horizontal purlins will be according to the panel dimensions.
- TUV Certified Mounting Systems.

