

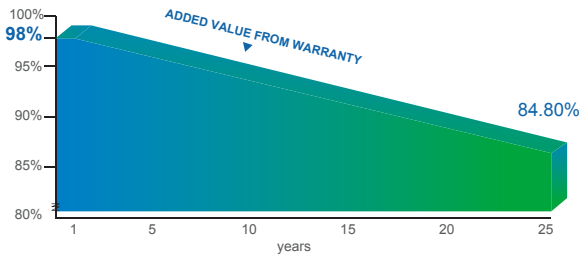


UZON 320~345W

Mono Half Cell Module 158.75 Series

Full Black UZ158MBHC320~340-60

Classic UZ158MHC335~345-60



25 25-year Warranty for Extra Linear Power Output

12 12-year Warranty for Materials and Processing
(1st year ≤ 2.0%, 2nd~25th years ≤ 0.55% / year)

COMPREHENSIVE CERTIFICATES

IEC61215/IEC61730/IEC61701/IEC62716
 ISO9001:Quality Management System
 ISO14001:Environmental Management System
 ISO45001:Occupational Health and Safety Management System



FEATURES



OUTPUT POSITIVE TOLERANCE

Guaranteed 0~+5W positive tolerance ensures power output reliability.



INNOVATIONAL HALF-CELL TECHNOLOGY

Improves the module output, decreases the risk of micro-crack, enhances the module reliability.



INNOVATIVE PERC CELL TECHNOLOGY

Excellent cell efficiency and output.



REDUCE SHADOW LOSS

Effectively reduces the effect of shadow on the module surface.



REDUCE INTERNAL MISMATCH LOSS

Reduces mismatch loss and improves output.



PASSED HAIL TEST

Certified to hail resistance: ice ball size (d=25mm) and ice ball velocity



PID RESISTANCE

Excellent PID resistance at 96 hours (@85 C /85%) test, and also can be improved to meet higher standards for the particularly harsh environment.

ELECTRICAL SPECIFICATIONS

STC rated output (P_{mpp})*	320 Wp	325 Wp	330 Wp	335 Wp	340 Wp	345 Wp
Rated voltage (V_{mpp}) at STC	33.68 V	33.93 V	34.17 V	34.44 V	34.69 V	34.96 V
Rated current (I_{mpp}) at STC	9.50 A	9.58 A	9.66 A	9.73 A	9.80 A	9.87 A
Open circuit voltage (V_{oc}) at STC	40.72 V	41.03 V	41.32 V	41.61 V	41.88 V	42.16 V
Short circuit current (I_{sc}) at STC	9.98 A	10.06 A	10.14 A	10.22 A	10.30 A	10.38 A
Module efficiency	18.9%	19.2%	19.5%	19.8%	20.1%	20.3%
Rated output (P_{mpp}) at NMOT	238.6 Wp	242.4 Wp	246.1 Wp	249.8 Wp	253.5 Wp	257.3 Wp
Rated voltage (V_{mpp}) at NMOT	31.39 V	31.63 V	32.85 V	32.10 V	32.35 V	32.59 V
Rated current (I_{mpp}) at NMOT	7.60 A	7.66 A	7.73 A	7.78 A	7.84 A	7.89 A
Open circuit voltage (V_{oc}) at NMOT	38.28 V	38.57 V	38.85 V	39.12 V	39.37 V	39.64 V
Short circuit current (I_{sc}) at NMOT	8.03 A	8.09 A	8.16 A	8.22 A	8.28 A	8.35 A
Temperature coefficient (P_{mpp})	- 0.34%/°C					
Temperature coefficient (I_{sc})	+0.04%/°C					
Temperature coefficient (V_{oc})	- 0.27%/°C					
Nominal module operating temperature (NMOT)	44±2°C					
Maximum system voltage (IEC/UL)	1000V _{DC} /1500V _{DC}					
Number of diodes	3					
Junction box IP rating	IP 68					
Maximum series fuse rating	20 A					

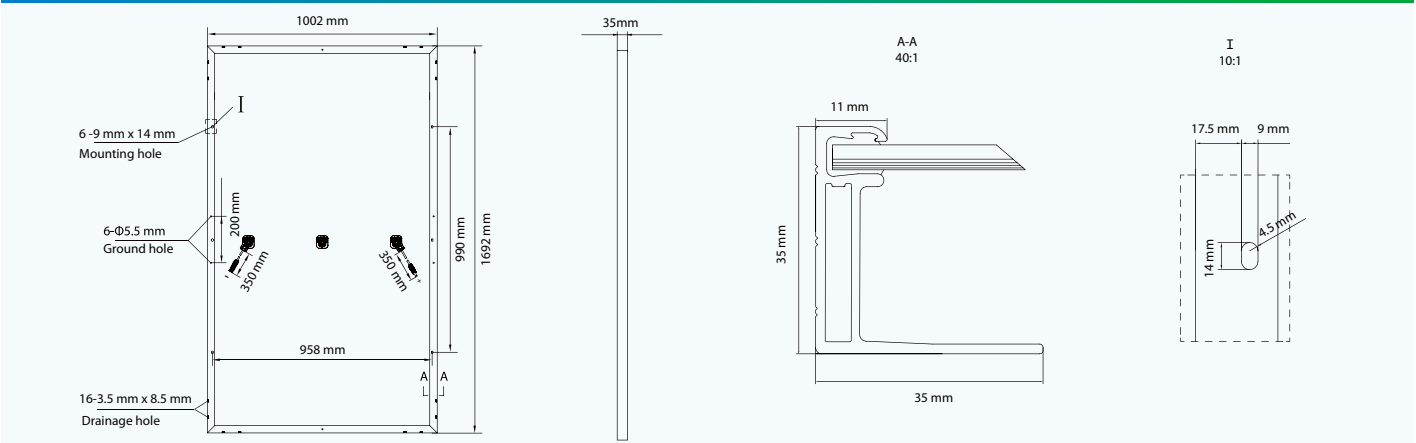
STC: Irradiance 1000W/m², Cell Temperature 25°C, AM=1.5

NMOT: Irradiance 800W/m², Ambient Temperature 20°C, AM=1.5, Wind Speed 1m/s

MECHANICAL SPECIFICATIONS

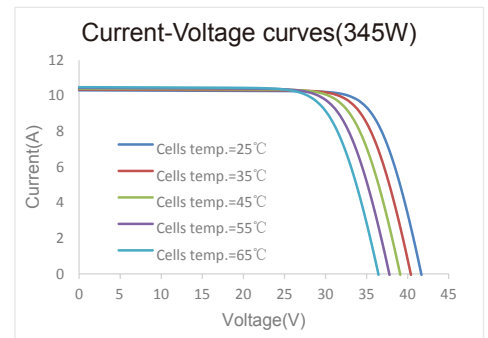
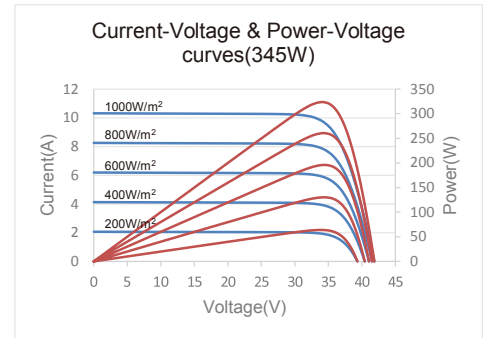
Outer dimensions (L x W x H)	1692 x 1002 x 35 mm
Frame technology	Aluminum, silver anodized
Module composition	Glass / EVA / Backsheet
Front glass thickness	3.2 mm
Cable length (IEC/UL)	Portrait: 350 mm Landscape: 1100 mm
Cable diameter (IEC/UL)	4 mm ² / 12 AWG
Maximum mechanical test load	5400 Pa (front) / 2400 Pa (back)
Fire performance (IEC/UL)	Class C (IEC) or Type 1 (UL)
Connector type (IEC/UL)	MC4 compatible

MODULE DIMENSION DETAILS



Note: These parameters for reference only and it is not a part of the contracts. The specifications are subject to change without prior notice.

CURVE



PACKING SPECIFICATIONS

Module Weight	19 kg
Packing unit	31 pcs / pallet
Weight of packing unit	631 kg
Container Loading	858 pcs/ 40HQ