

Monocrystalline Module Models

GP-300M-60 GP-290M-60 GP-280M-60

Electrical Specifications

*STC : Irradiance 1000W/m², AM1.5 spectrum, module temperature 25 °C

Model type	GP-300M-60	GP-290M-60	GP-280M-60
Peak power (Pmax)	300W	290W	280W
Cell Efficiency	21.97%	21.23%	20.31%
Maximum power voltage (Vmp)	33.3V	33.0V	32.6V
Maximum power current (Imp)	9.00A	8.79A	8.59A
Open circuit voltage (Voc)	38.9V	38.7V	38.5V
Short circuit current (Isc)	9.39A	9.24A	9.09A
Power Tolerance		±3%	
Maximum system voltage		1000V	
Series fuse rating (A)		12	
Number of bypass diode		3/6	



Temperature Coefficients

Current Temperature Coefficient $\alpha(I_{sc})$	0.03%/°C
Voltage Temperature Coefficient $\beta(V_{oc})$	- 0.32%/°C
Power Temperature Coefficient	-0.42%/°C
Nominal Temperature Of Cells(NOTC)	46±2°C
Application Temperature Range	-40~+85°C

Mechanical Characteristics

Dimensions:	1640 x 990 x 35 mm (64.57x38.98x1.378inch)
Weight:	17.5 kg (38.85 lbs)
Solar Cells:	60 cells in series(6x 10)
Construction:	High-transmission low-iron tempered glass , EVA, TPT/TPE
Frame:	Anodized aluminum is mainly for improving corrosion resistance. Color: silver

Output

Cable	LAPP(4 mm ²)
Lengths	900mm(-) and 900mm(+)
Connector	MC Plug Type IV

Module Warranty:

25-year limited warranty of 80% power output;

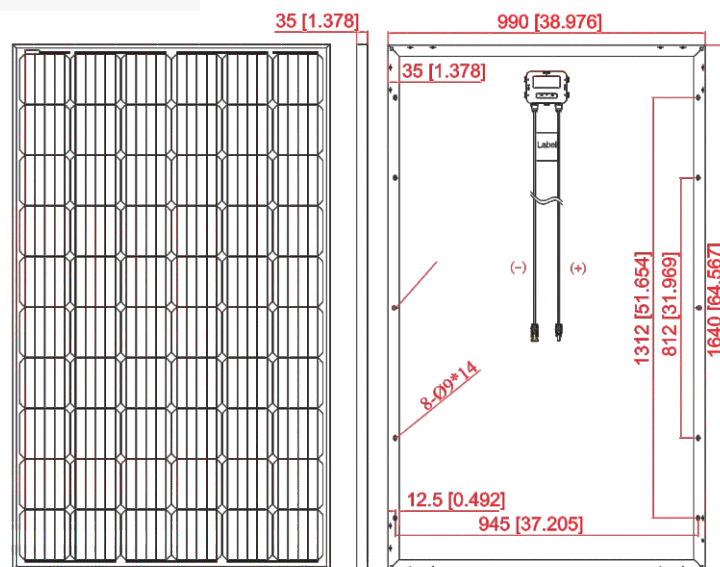
10-year limited warranty of 90% power output;

10-year limited warranty of materials and workmanship.

Note: This publication summarizes product warranty and

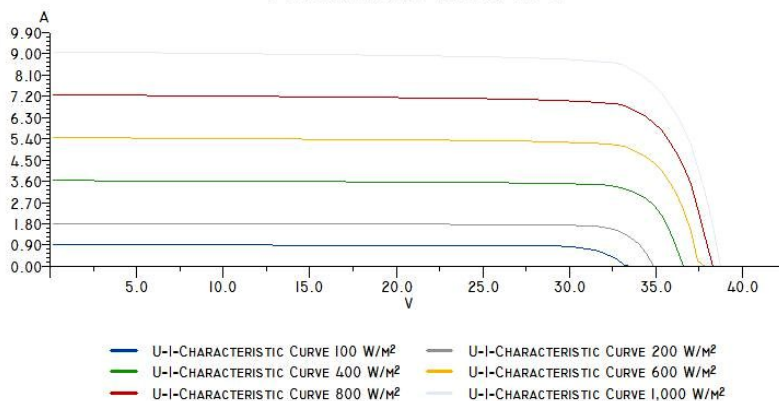
Specifications which are subject to change without notice

Product photos are for reference only, on behalf of actual product.



Module Diagram

U-I-CHARACTERISTIC CURVE AT 25 °C



Electrical Performance