

# IBS72M

## KEY FEATURES



10 years  
**Product  
Warranty**



25 years  
**Performance  
Warranty**



Cell efficiency  
up to **19.7 %**



Module efficiency  
up to **17.7 %**



Heavy snow load  
up to **5,400 Pa**



Wind load  
up to **2,400 Pa**



**PID Free**



## ELECTRICAL PARAMETERS

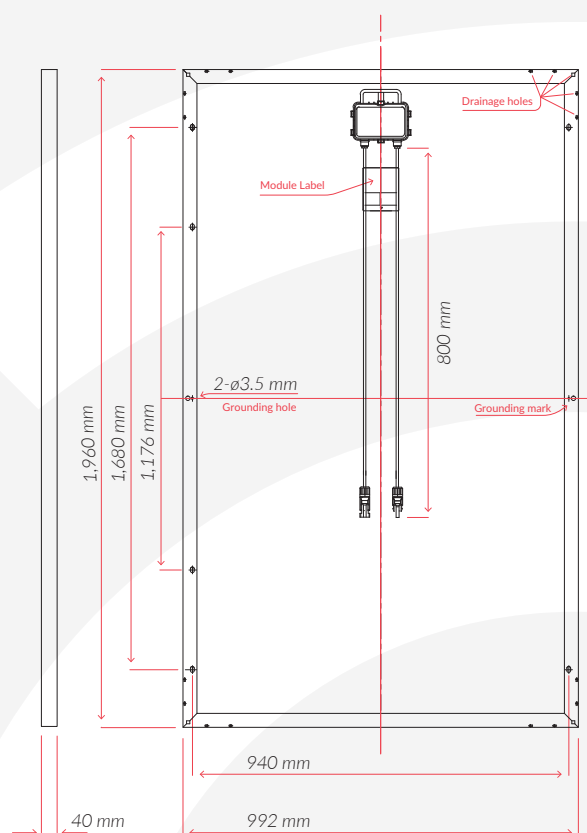
Model	IBS72M				
Maximum Power (Pmax/W)	<b>325</b>	<b>330</b>	<b>335</b>	<b>340</b>	<b>345</b>
Operating Voltage (Vmpp/V)	37.4	37.8	38.2	38.6	38.9
Operating Current (Impp/A)	8.71	8.73	8.77	8.81	8.87
Open-Circuit Voltage (Voc/V)	46.3	46.6	46.9	47.4	47.8
Short-Circuit Current (Isc/A)	9.07	9.44	9.52	9.56	9.62
Module Efficiency $\eta_m$ (%)	16.8	17.0	17.3	17.5	17.8
Power Tolerance	0+5 Wp				
NOCT	45±2°C				

Values at Standard Test Conditions STC (AM 1.5, Irradiance 1000 W/m<sup>2</sup>, Cell Temperature 25°C)

## SPECIFICATIONS

Cell Type	Mono Crystalline
Cells size	156x156 mm
Number of cells	72
Weight	23.0 kg
Front side glass	3,2 mm hardened solar tempered glass
Dimensions	1,956x992x40 mm
Cable length	800 mm
Cable cross section size	4 mm <sup>2</sup>
Number of bypass diodes	3 / 6
Connectors	MC4 compatible
Frame	Anodized Aluminium Alloy
Junction Box	IP65 / IP67 available

## ENGINEERING DRAWINGS



## WORKING CONDITIONS

Maximum System Voltage	DC 1,000 V (IEC) / 1,500 V available
Operating temperature	-40°C / +80° C
Maximum reverse current	16A
IP protection level	IP65
Safety class	II

## TEMPERATURE COEFFICIENTS

Power temperature coefficient (Pmax)	-0,40 %/°C
Voltage temperature coefficient (Voc)	-0,31 %/°C
Current temperature coefficient (Isc)	+0,04 %/°C



## PACKAGING INFORMATION (I)

Pallet dimension	2,010/1,120/1,130 mm
Pallet weight	632 kg
Modules/pallet	26

## PACKAGING INFORMATION (II)

Container	20 HC	40 HC
Pallets per container	10	22
Pieces per container	260	572

## PARTNERS