

Solar And Renewable Power System



Solar Power

320 W - 350 W

Mono-Crystalline Photovoltaic Module



Positive power tolerance
0~+4.99 watt



Withstand strong front
load 5400 Pa / rear Load 2400 Pa



100% EL inline inspection
Better module reliability



Ammonia resistance



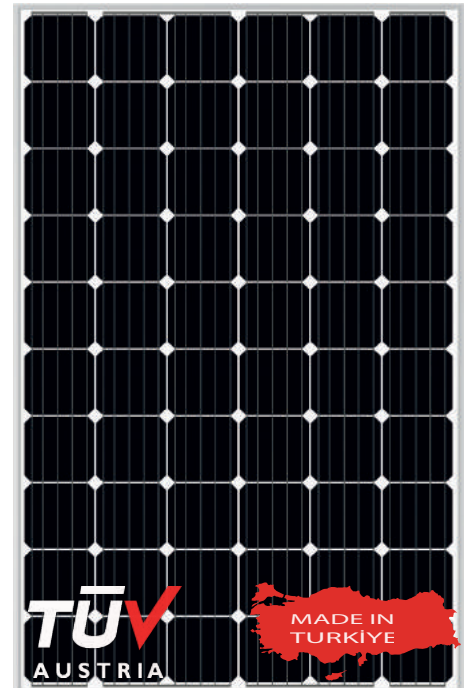
25 years power output warranty



Snail trail resistance



Design for 1500 VDC system voltage
Reduce the system BOS effectively



Harsh environment PV system installation



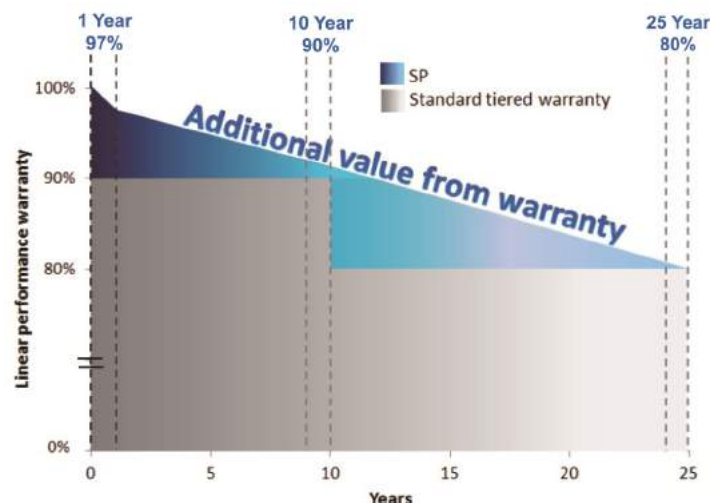
Excellent PID Performance

Reliability & Certification

Product Guarantee: 10-year

Linear Performance Warranty

- 1-year : 97% power output then power degradation 0.5% per year till 25th year
- 25-year : 85%



www.spenerji.com

Solar And Renewable Power System



Electrical Data

MODEL	SP-315M72	SP-320M72	SP-325M72
Maximum Rating Power (Pmax)	315 W	320 W	325 W
Module Efficiency	18.82%	19.12%	19.42%
Open Circuit Voltage (Voc)	39.52 V	39.72V	39.84 V
Maximum Power Voltage (Vmpp)	33.42 V	33.72 V	33.90 V
Short Circuit Current (Isc)	9.915 A	9.945 A	9.970 A
Maximum Power Current (Impp)	9.497 A	9.555 A	9.593 A

MODEL	SP-330M72	SP-335M72	SP-340M72
Maximum Rating Power (Pmax)	330 W	335 W	340 W
Module Efficiency	19.72%	20.01%	20.31%
Open Circuit Voltage (Voc)	40.02 V	41.20 V	42.10 V
Maximum Power Voltage (Vmpp)	34.38 V	34.62 V	34.95 V
Short Circuit Current (Isc)	10.058 A	10.12 A	10.158 A
Maximum Power Current (Impp)	9.634 A	9.68 A	9.73 A

* Standard Test Conditions (STC): Cell Temperature 25°C, Irradiance 1000 W/m², AM 1.5G
 * Values without tolerance are typical numbers
 * Specifications are subject to change without notice

Mechanical Data

Item	Specification
Dimensions	1670 mm (L) ¹ x 1002 mm (W) ¹ x 35 mm (D) ¹ / 65.75" (L) x 39.45" (W) ¹ x 1.38" (D)
Weight	18.2 kg / 40.12 lbs
Solar Cell	60 Monocrystalline PERC Solar Cells
Front Glass	Anti-reflective tempered patterned glass, 3.2 mm
Cell Encapsulation	EVA (Ethylene-Vinyl-Acetate)
Rear Glass	Tempered patterned glass, 3.2 mm
Junction Box	IP 67 rated, 3 Diodes; Cable: 4.0 mm ² , 1000/1200 mm
Packaging Configuration	27 pcs per pallet, 810 pcs per 40' HQ container

¹ : With assembly tolerance of ± 2 mm [± 0.08"]

Operating Conditions

Item	Specification
Maximum Front Loading	5400 Pa
Maximum System Voltage	1500VDC (IEC)
Series Fuse Rating	20A
Operating Temperature	-40 to 85°C

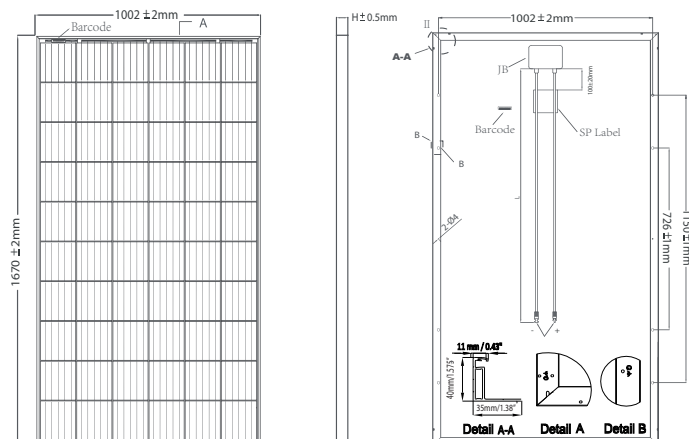
Temperature Characteristics

Item	Specification
Nominal Operating Cell Temperature	46°C ± 2°C
Temperature Coefficient of Isc	0,048 % / °C
Temperature Coefficient of Voc	-0,280 % / °C
Temperature Coefficient of Pmax	-0,370 % / °

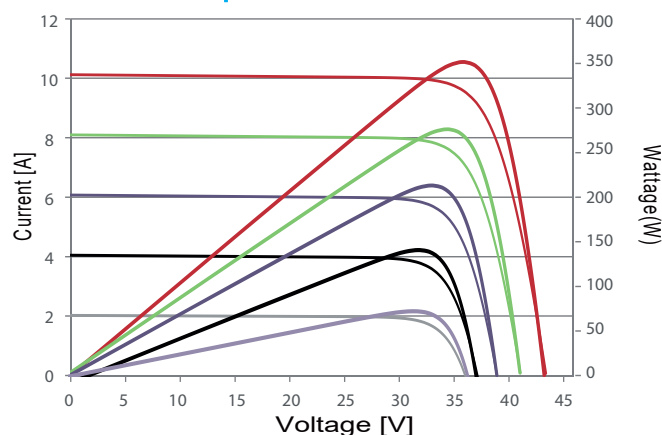
Certificates

TUV Austria Certification, CE, ISO 9001:2015, ISO 14001: 2015, OHSAS 18"001, FPC Factory Process Control certificate

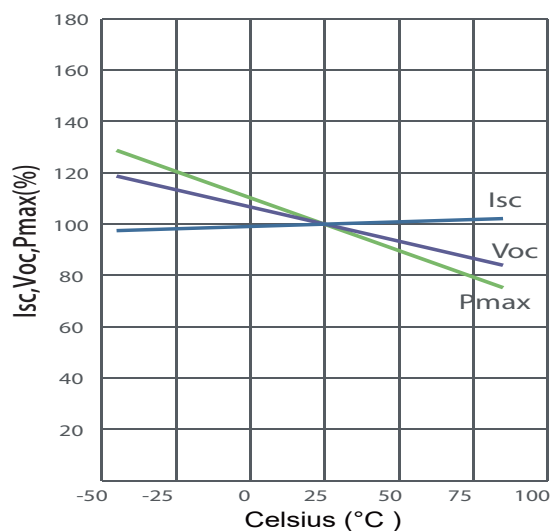
Front View & Back View



Dependence on Irradiance



Dependence on Temperature



* Nominal Operating Cell Temperature (NOCT):
 Irradiance 800 W/m², Ambient Temperature 20°C, Wind Speed 1 m/s
 * Please refer to SP's Standard Module Installation Manual before using the product
 NOCT 44°C

Factory

Adress:

AOSB ADANA Hacı Sabacı Organize Sanayi Bölgesi
 Acidere Mah. Hilal Cad. No:6 01410 Sarıçam/ADANA

Sales Department:

0090 322 457 32 32

Fax:

0090 322 457 43 43

E-Mail:

info@spenerji.com.tr

www.spenerji.com