

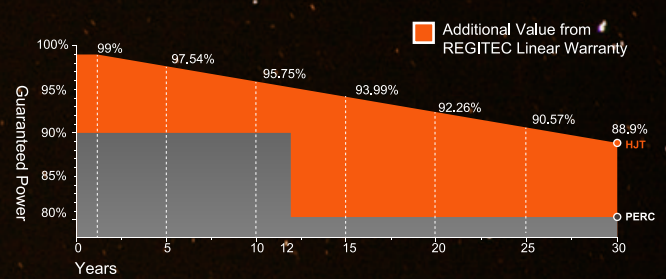
➤ **RMHHB60-375 ~400S2**
375~400 Watt

166mm 12BB Mono 120half-cells
HJT Bifacial PV Module

BLACK *BLACK FRAME/BLACK BACK-GLASS PRODUCTS ARE AVAILABLE UPON REQUEST

➤ **30** years product warranty

30 years performance warranty



➤ **PRODUCT FEATURE**

- High transmissivity, low-iron tempered glass.
- Using high efficiency mono solar cells
- Excellent performance in low-light environments
- High quality junction box and connector systems
- 100% inspection, to guarantee the reliability of solar systems
- Anti LID
- Anti PID
- Lower temperature coefficient
- Quality RFID Tracking

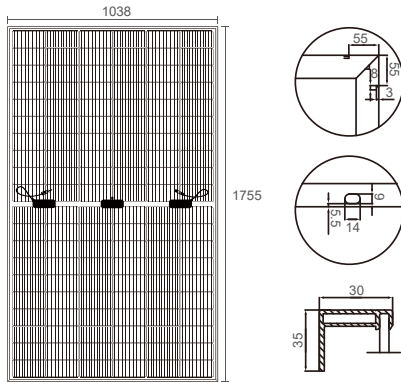
➤ **MANAGEMENT SYSTEM**

- ISO 9001:**
 Quality management system
- ISO 14001:**
 Standard for environmental management system
- OHSAS 18001:**
 International standard for occupational health and safety assessment system

➤ **PRODUCT CERTIFICATES**



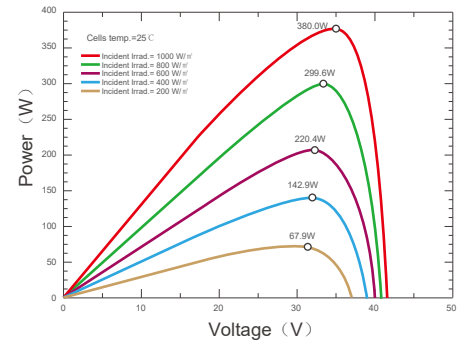
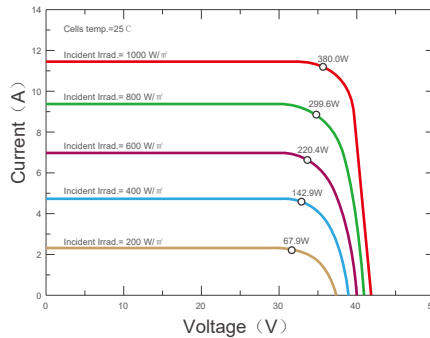
Dimension Drawing



All Dimensions in mm
The above drawing is a graphical representation of the product.
For engineering quality drawings please contact REGITEC.

I-V Graph

Current-Voltage & Power-Voltage Curves (RMHHB60-380S2)



Electrical Characteristics (STC/NOCT)

Module Type	RMHHB60-375S2		RMHHB60-380S2		RMHHB60-385S2		RMHHB60-390S2		RMHHB60-395S2		RMHHB60-400S2	
	STC	NOCT	STC	NOCT	STC	NOCT	STC	NOCT	STC	NOCT	STC	NOCT
Maximum Power- Pmax(W)	375	286	380	290	385	294	390	298	395	301	400	306
Open Circuit Voltage - Voc(V)	44.28	41.58	44.40	41.81	44.52	42.01	44.62	42.13	44.71	42.2	44.83	42.26
Short- Circuit Current - Isc(A)	10.68	8.62	10.77	8.69	10.84	8.74	10.91	8.81	10.96	8.86	11.07	8.93
Voltage at Pmax -Vmp(V)	37.51	35.39	37.71	35.58	37.91	35.72	38.11	35.86	38.19	35.9	38.4	36.42
Current at Pmax - Imp(A)	10.02	8.09	10.13	8.18	10.21	8.25	10.31	8.32	10.36	8.39	10.45	8.42
Module Efficiency -ηm(%)	20.6	/	21.0	/	21.3	/	21.6	/	21.7	/	22.0	/
Power Tolerance(W)	(0, +4.99W)											
Maximum System Voltage(V)	1000/1500Vdc (IEC / UL)											
Maximum Series Fuse Rating (A)	20A											

STC : Irradiance 1000W/m², Cell Temperature 25°C, Air Mass 1.5

NOCT : Irradiance 800W/m², Ambient Temperature 20°C, Air Mass 1.5, Wind Speed 1m/s

Mechanical Specifications

External Dimensions	1755X1038X30mm
Weight	22.2kg
Solar Cells	Mono crystalline 166x83mm (2x60pcs)
Front Glass	AR Coated 2.0 mm + 2.0mm tempered glass
Frame	Anodized aluminum alloy
Junction Box	IP67
Output Cables	4.0mm ² , 200mm in length, length can be customized
Connector	MC4 Compatible
Mechanical Load	Front Side Max. 5400Pa, Rear Side Max. 2400Pa

Packing Configuration

	1755X1038X30mm	
Container	20'GP	40'HQ
Pieces per Pallet	30	30
Pallets per Container	12	26
Pieces per Container	420	910

Temperature Characteristics

Pmax Temperature Coefficient	-0.260%/°C
Voc Temperature Coefficient	-0.240%/°C
Isc Temperature Coefficient	+0.04%/°C
Operating Temperature	-40 ~ +85°C
Nominal Operating Cell Temperature(NOCT)	44±2°C