

OPzV Tubular-Gel Battery

2V500AH

FEATURES

- Low self-discharge and long shelf life
- Non-Spillable construction
- Safety valve installation for explosion proof
- Exceptional deep discharge recovery performance
- 99.7% pure lead calcium grids and A recognized Component of U.L

APPLICATION

- Photovoltaic system
- Telecommunications
- Emergency Power System
- Power plant and power transformer system
- Control Equipment



SPECIFICATIONS

Nominal Voltage	2V
Nominal Capacity	500Ah@10 hour rate F.V.(1.80V/cell)
Approx. Weight	40.5Kg(89.29 lbs)
Terminals	M8 Female Large Size Copper Post
Internal Resistance	≤0.33mΩ (Fully Charged)
Max. Discharge Current	5000A (3 sec)
Max. Charge Current	125A
Operating Temperature Range	Charge: -20°C~50°C (-4°F~122°F) Discharge: -40°C~55°C (-40°F~131°F) Storage: -20°C~40°C (-4°F~104°F)
Self Discharge	About 2.0% of capacity declined per month at (25°C)

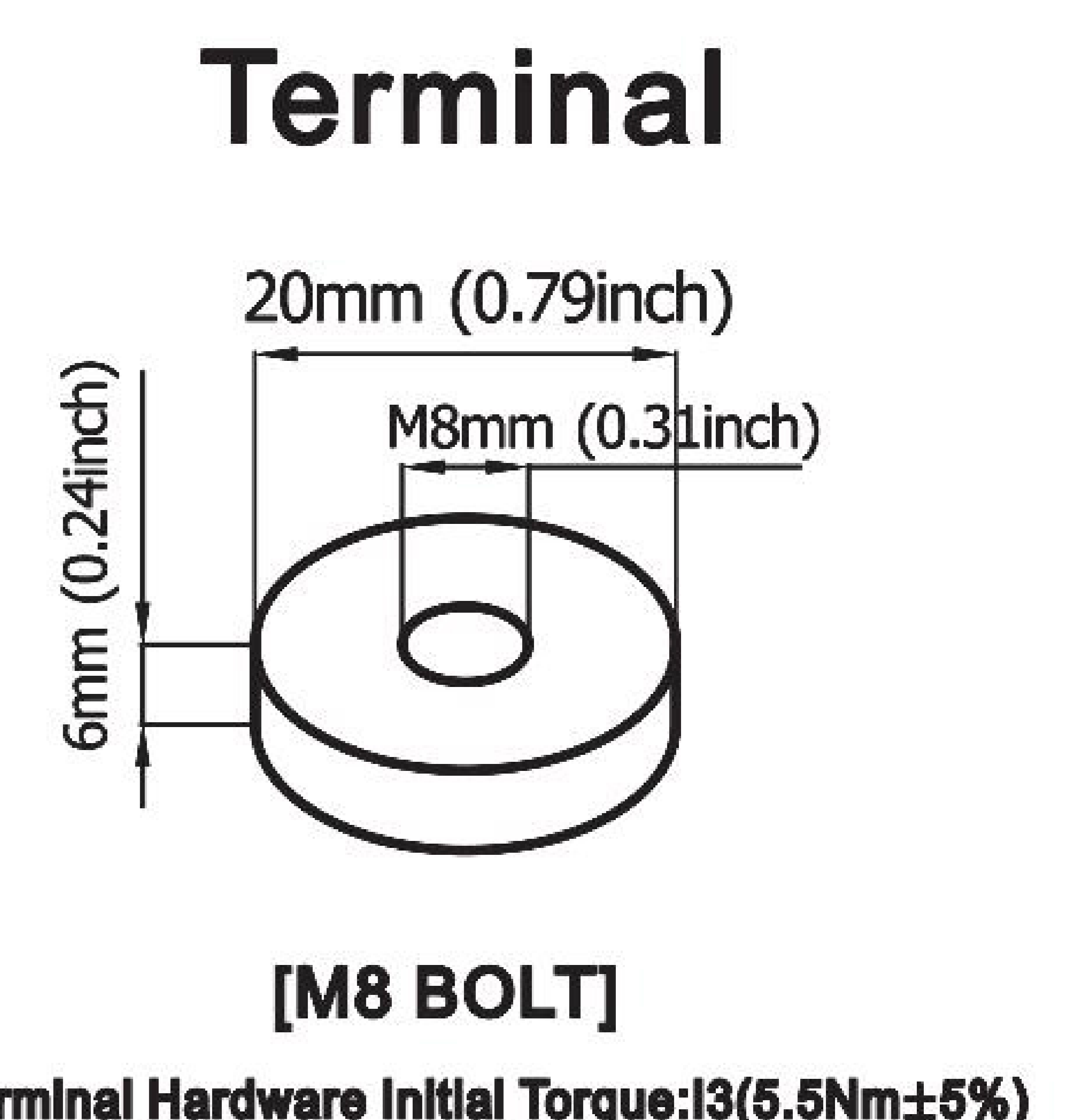
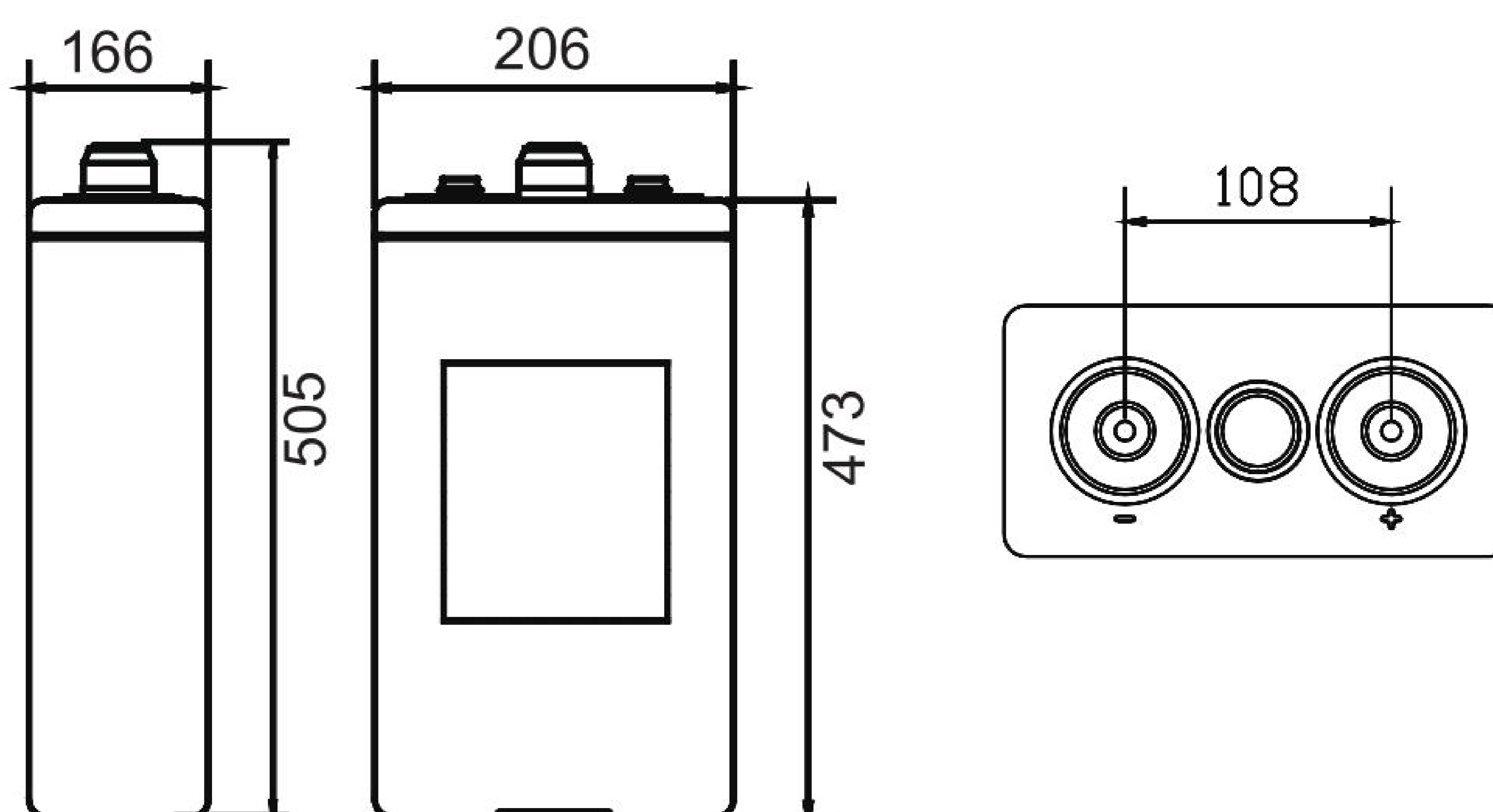


DIMENSION(mm/inch)

OUTER DIMENSIONS

TERMINAL TYPE

- **Length**
166±2.0mm (6.64±0.08inch)
- **Width**
206±2.0mm (8.24±0.08inch)
- **Container Height**
473±2.0mm (18.92±0.08inch)
- **Total Height**
505±2.0mm (20.20±0.08inch)



Constant power discharge characteristics at 25°C/77°F Unit:W

F.V/Time	15MIN	30MIN	1HR	2HR	3HR	5HR	10HR	20HR
1.70V	913.8	743.8	576.3	338.8	266.9	183.1	98.8	56.1
1.75V	841.3	713.8	552.5	330.0	260.6	180.6	97.5	55.2
1.80V	745.0	671.3	486.9	321.3	251.3	177.5	96.3	55.1
1.90V	553.8	499.4	396.9	295.0	220.6	160.0	86.3	51.0

Charge Voltage	
Cycle use	2.35-2.40V (±4mV)
Max Current	125A

Constant current discharge characteristics at 25°C/77°F Unit:A

F.V/Time	15MIN	30MIN	1HR	2HR	3HR	5HR	10HR	20HR
1.70V	530.0	430.0	292.5	178.8	132.5	88.8	51.3	29.0
1.75V	470.0	401.3	280.0	173.8	130.0	88.1	50.6	28.8
1.80V	410.0	350.0	260.0	166.3	125.0	86.9	50.0	28.7
1.90V	260.0	245.0	195.0	137.5	107.5	77.5	44.4	26.3

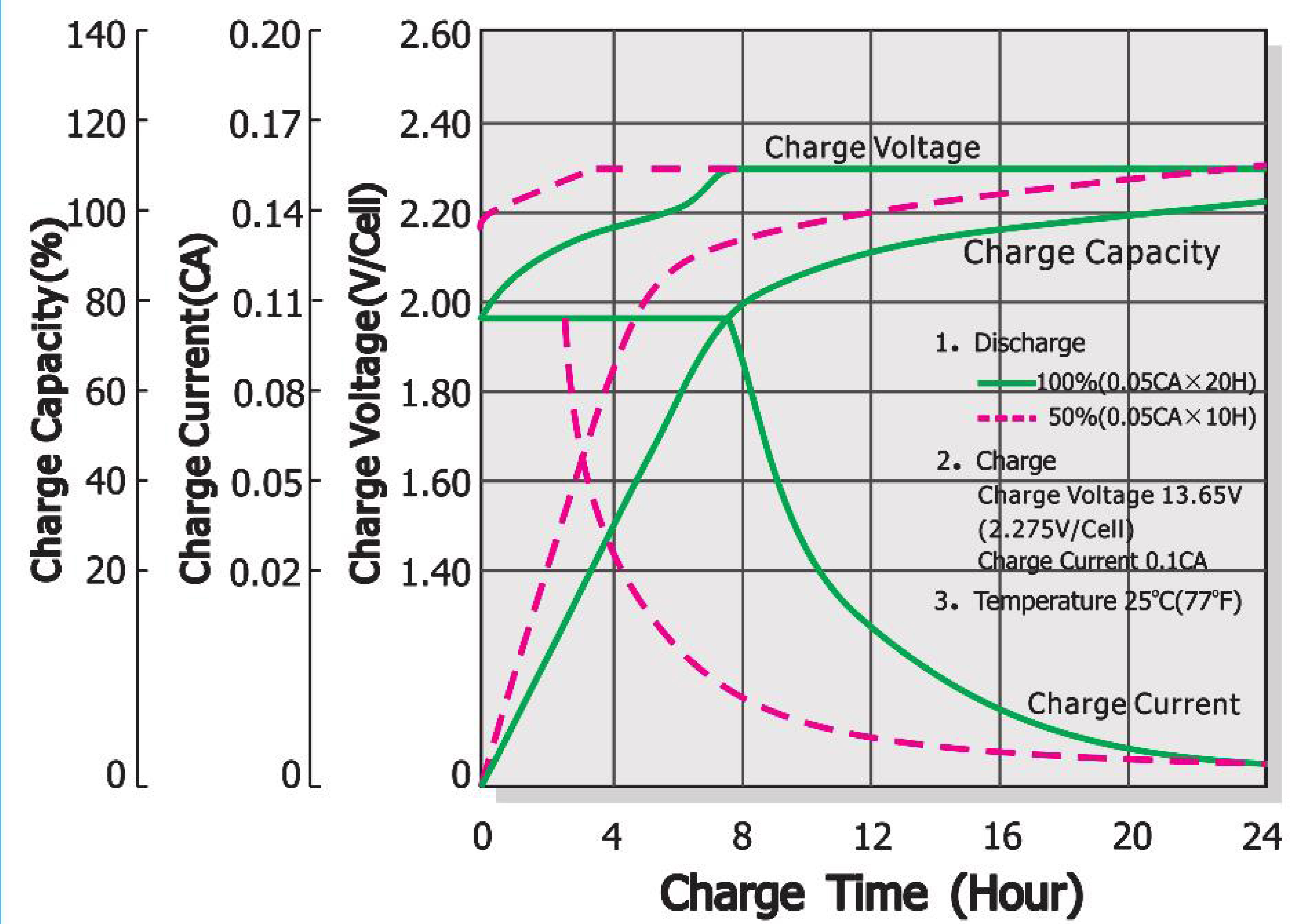
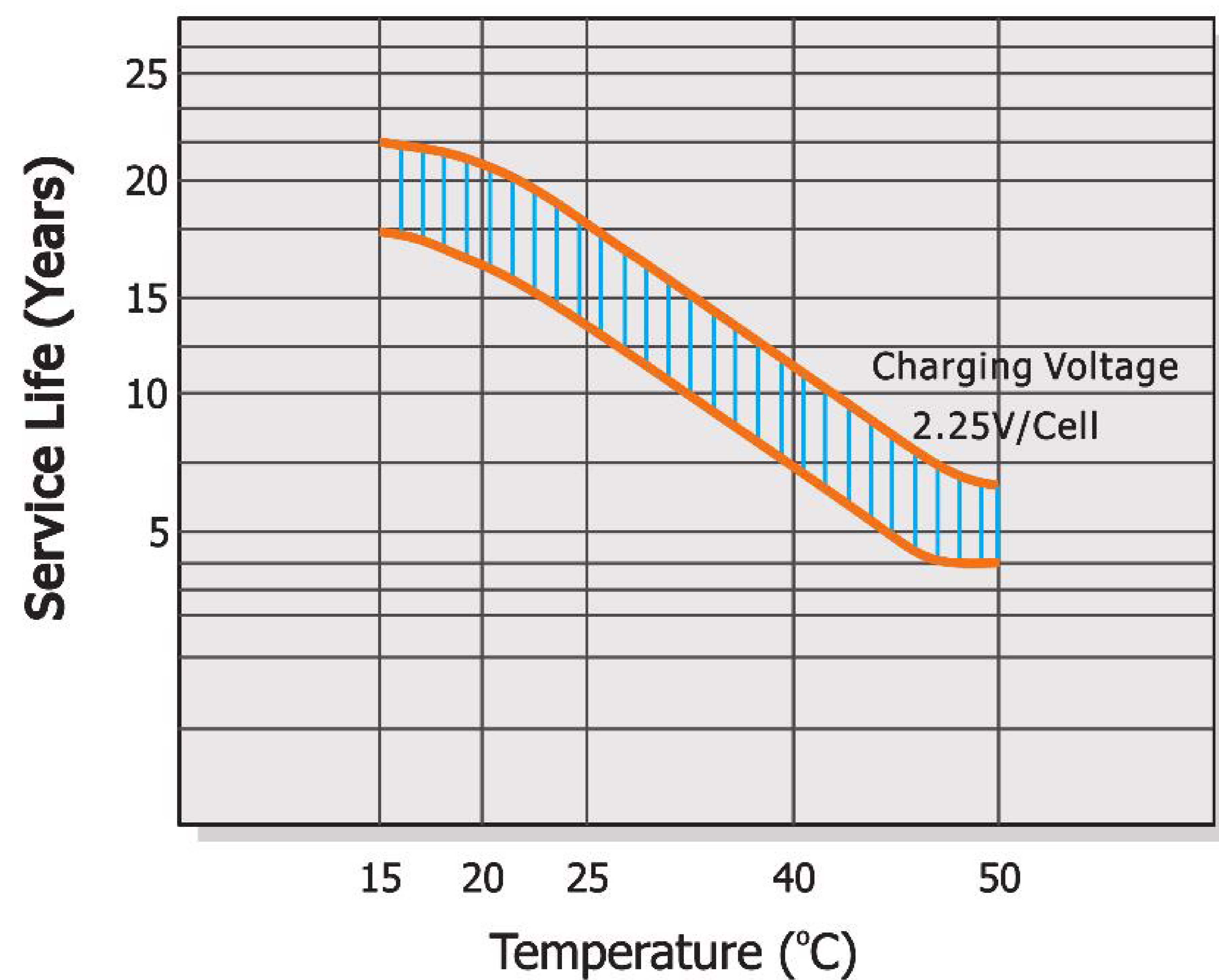
Float Use
2.25-2.30V (±3mV)

OPzV Tubular-Gel Battery

2V500AH

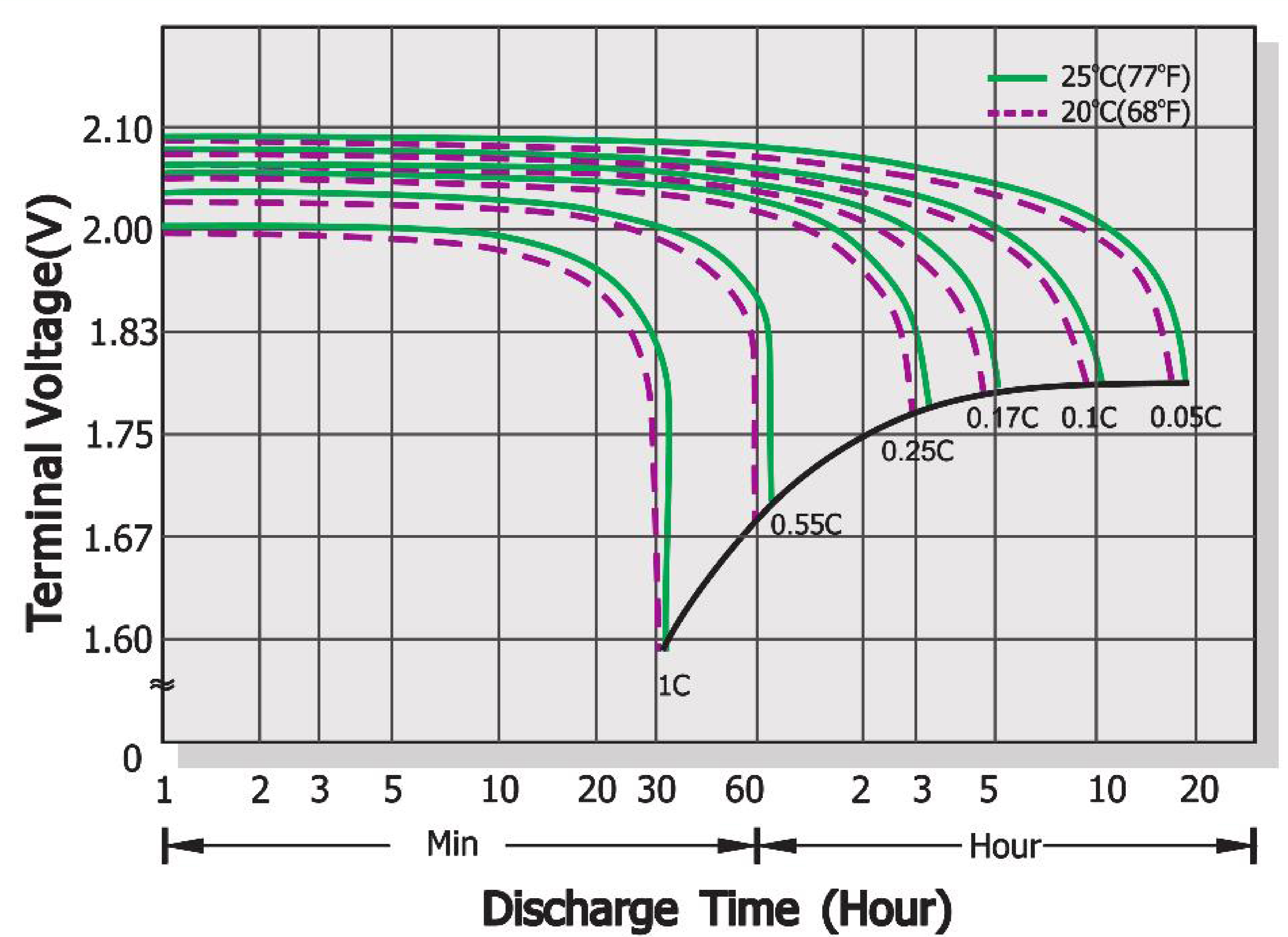
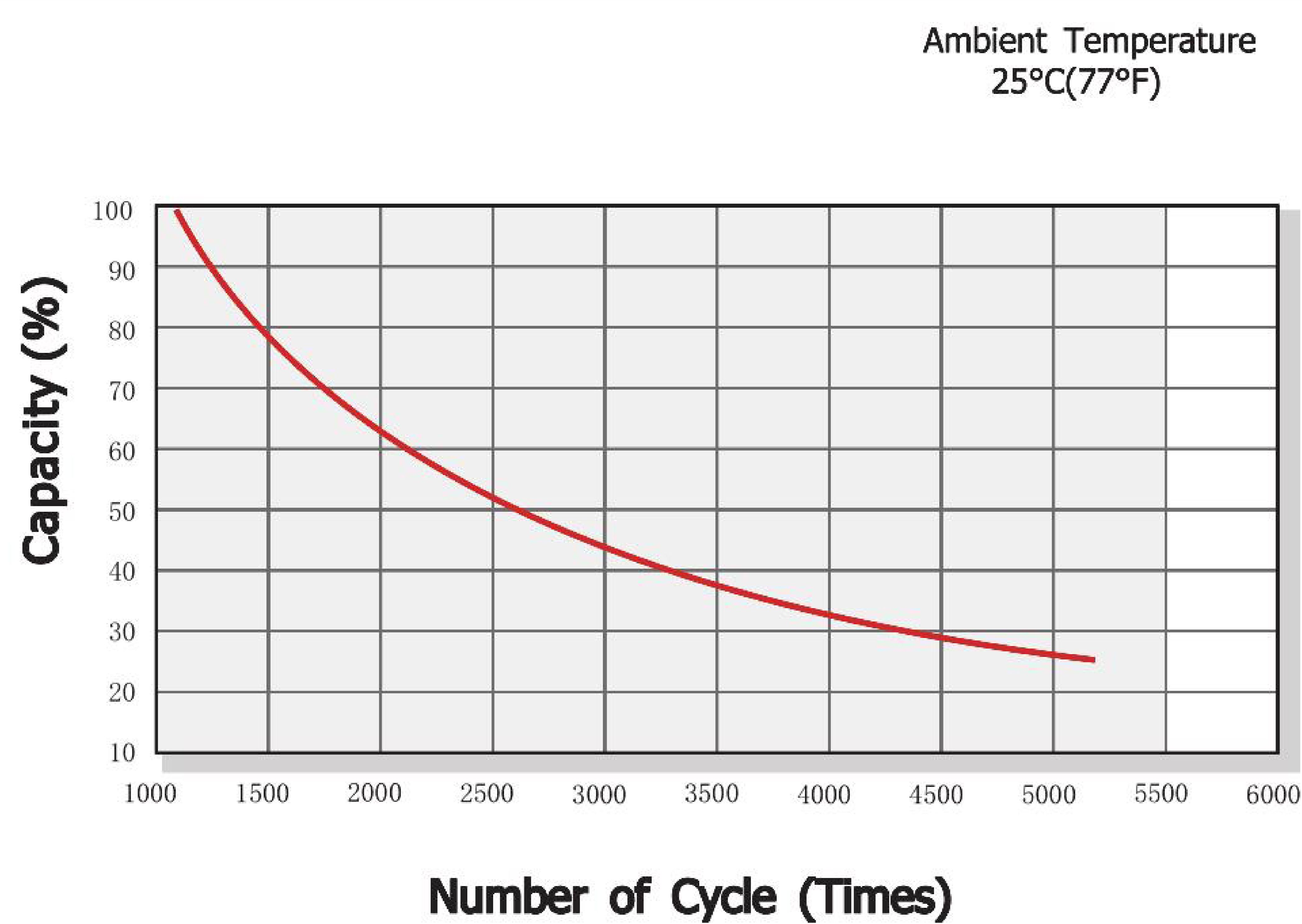
Trickle(or Float) Service Life

Charge Characteristic



Cycle Service Life

Discharge Characteristic



Capacity Factors With Different Temperature

Battery Type		-20°C	-10°C	0°C	5°C	10°C	20°C	25°C	30°C	40°C	45°C
GEL Battery	6V&12V	55%	75%	85%	88%	90%	98%	100%	102%	104%	105%
	2V	65%	80%	88%	90%	92%	99%	100%	103%	105%	106%
AGM Battery	6V&12V	46%	66%	76%	83%	90%	98%	100%	103%	107%	109%
	2V	55%	70%	80%	85%	92%	99%	100%	104%	108%	110%