

Solar Charge Controller

PY-P2410
PY-P2420

PWM Solar Charge Controller

12/24V Auto Recognition 10A/20A



PY-P2410 /PY-P2420 is a solar charge controller with advanced Pulse Width Management

(PWM) 3-phase charge technology, for small size solar stand alone power system. It is a basic and typical solar controller model, widely used all around the world, with various kinds of uses.

Key Figures

- *Full range of electronic protections
- *Lead-acid AGM/GEL/Flooded & Lithium batteries supportable
- *LCD display & key operation for parameter settings
- *Multiple MOSFET & optimized PCBA design for better cooling effect

Extensive Functions

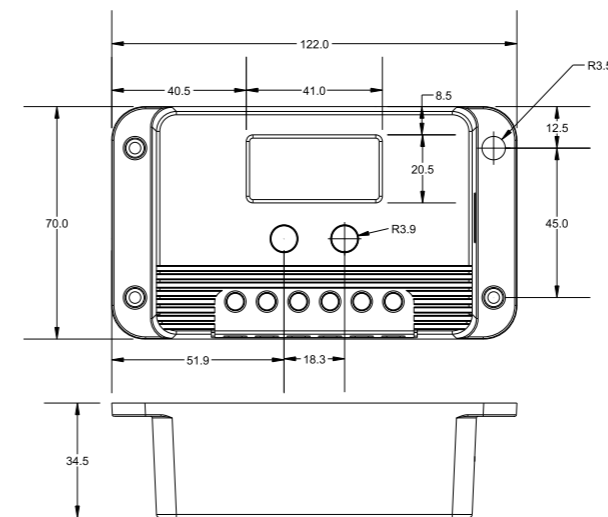
- Li mode use for lithium battery charge & discharge
- Up to 17 kinds of DC load output control, including "dusk to dawn" & manual switch
- Extra USB 5V 1A DC output
- One more year of warranty than other similar models in the market

Solar Charge Bag Specialist



Controller Parameter	Value	
Model No.	PY-P2410	PY-P2420
Battery System Voltage	12V/24V Auto (FLD/GEL/SLD) Manual (Li)	
No-load Loss	12ma (12V), 10ma (24V)	
Max Solar Input Voltage	<55Voc	
Rated Solar Charge Current	10A	20A
Max Solar Input Power	170W/12V;340W/24V	340W/12V;680W/24V
Light Control Voltage	5V*n	
Light Control Delay Time	10s	
Max Load Output Current	10A	20A
USB Output	5V 1A	
Operating Temperature	-35°C ~ +45°C	
IP Protection	IP32	
Net Weight	0.20 kg	
Operating Altitude	≤ 3000 meters	
Controller Dimension	139*90*34.5 mm	

Battery Voltages	Battery Parameters			
Battery Types	FLD	SEL	GEL(default)	LI (adjustable)
Equalize Charge Voltage	14.8V*n	14.6V*n	-	-
Boost Charge Voltage	14.6V*n	14.4V*n	14.2V*n	Default: 14.2V*n
Float Charge Voltage		13.8V*n		-
Boost Charge Recovery Voltage		13.2V*n		-
Over-discharge Recovery Voltage		12.6V*n		-
Over-discharge Voltage		11.1V*n		Default: 11.1V*n



Application scenarios

