

RI-LF Series 120V Low Frequency Power Inverter

Feature:

- Rated power 1kw to 4kw
- Pure sine wave output
- 3 times surge power
- Wide frequency 40Hz-80Hz
- Overload and short circuit protection
- Built-in pure copper UI transformer
- Smart battery charger designed for optimized battery performance
- Cold start function
- Support RS232 monitoring function with free CD
- Support BTS and AGS function
- DIP Switch offer customized performance
- Remote Control Panel (optional)
- Solar priority function
- Compatible to generator



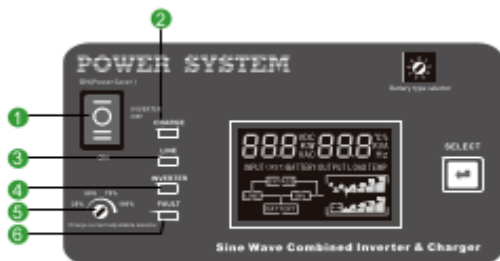
Introduction:

RI-LF series from Rekoser is a very economical pure sine wave inverter with AC charger from 35A to 70A .Solar /AC priority configurable. When solar priority, if solar charging current is lower then utility, the AC will supply to charge batteries, to optimize the charging with pure copper transformer inside, which let it be suitable for all kinds of home appliance.

Back Panel



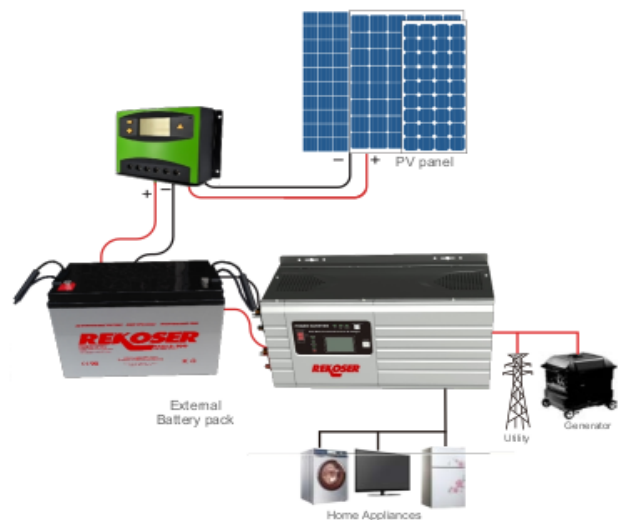
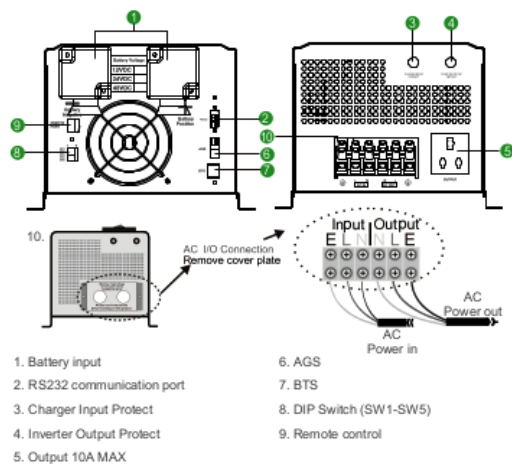
LCD/LED Display Information



1. Switch	ON(Power Saver): Power on with saver mode(power saver≤ 25W) INVERTER OFF: Power totally off(If there is AC power,inverter have charger function) ON: Power on without saver mode
-----------	--

- | | |
|----------------|---|
| 2. AC Charge | 4. Inverter mode |
| 3. AC power on | 5. Check inverter |
| | 6. Charge current adjustable:25%,50%,
75%,100%. (Optional) |

Solar System Connection



SPECIFICATION																			
MODEL		RI-1K-LF-12V	RI-1K-LF-24V	RI-5K-LF-12V	RI-1.5K-LF-24V	RI-2K-LF-12V	RI-2K-LF-24V	RI-3K-LF-12V	RI-3K-LF-24V	RI-3K-LF-48V	RI-4K-LF-24V	RI-4K-LF-48V							
Nominal Battery System Voltage		12VDC	24VDC	12VDC	24VDC	12VDC	24VDC	12VDC	24VDC	48VDC	24VDC	48VDC							
INVERTER OUTPUT	Rated Power	1.0KW		1.5KW		2.0KW		3.0KW			4.0KW								
	Surge Rating (20ms)	3.0KW		4.5KW		6.0KW		9.0KW			12.0KW								
	Capable Of Starting Electric Motor	1HP						2HP											
	Waveform	Pure sine wave/ same as input (bypass mode)																	
	Nominal Output Voltage RMS	100V/110V/120VAC (+/-10% RMS)																	
	Output Frequency	50Hz/60Hz +/-0.3 Hz																	
	Inverter Efficiency(Peak)	>88%																	
	Line Mode Efficiency	>95%																	
	Power Factor	1.0																	
Typical Transfer Time	10ms(max)																		
AC INPUT	Voltage	120VAC																	
	Selectable Voltage Range	80~135VAC(For Personal Computers)																	
	Frequency Range	50Hz/60Hz (Auto sensing) 40-80Hz																	
BATTERY	Minimum Start Voltage	10.0VDC /10.5VDC for12VDC mode (*2 for 24VDC, *4 for 48VDC)																	
	Low Battery Alarm	10.5VDC+/-0.3V for12VDC mode (*2 for 24VDC, *4 for 48VDC)																	
	Low Battery Cutoff	10.0VDC+/-0.3V for12VDC mode (*2 for 24VDC, *4 for 48VDC)																	
	High Voltage Alarm	16.0VDC+/-0.3V for12VDC mode (*2 for 24VDC, *4 for 48VDC)																	
	High Battery Voltage Recover	15.5VDC+/-0.3V for12VDC mode V																	
	Idle Consumption-Search Mode	<25W when power saver on																	
CHARGER	Output Voltage	Depends on battery type																	
	Charger AC Input Breaker Rating	10A			30A				40A										
	Overcharge Protection S.D.	15.7VDC for 12VDC mode (*2 for 24VDC, *4 for 48VDC)																	
	Maximum Charge Current	35A	20A	45A	20A	65A	35A	75A	45A	30A	65A	35A							
BYPASS & PROTECTION	Input Voltage Waveform	Sine wave (grid or generator)																	
	Nominal Input Frequency	50Hz or 60Hz																	
	Overload Protection (SMPS Load)	Circuit breaker																	
	Output Short Circuit Protection	Circuit breaker																	
	Bypass Breaker Rating	10A			30A				40A										
	Max Bypass Current	30Amp						40Amp											
MECHANICAL SPECIFICATIONS	Mounting	Wall mount																	
	Dimensions (W*H*D)	426*206*178 mm									601*206*178mm								
	Net Weight (kg)	16.5		17		21.1		20		26		24.5		24.8		38.2		35.8	
	Shipping Dimensions(W*H*D)	750*335*300mm																	
	Shipping Weight (kg)	19.3		20		24.1		22.8		29.1		27.5		27.5		42.3		40	
OTHER	Operation Temperature Range	0°C to 40°C																	
	Storage Temperature	-15°C to 60°C																	
	Audible Noise	60dB MAX																	
	Display	LED+LCD																	
	Standard Warranty	1 year																	

*Product specifications are subject to change without further notice.

Approximate Back-up Time Table

Power Rate(w)	backup time(H) @1*100Ah	backup time(H) @2*100Ah	backup time(H) @4*100Ah	backup time(H) @4*200Ah	backup time(H) @8*200Ah
1000	0.4806	1.602	3.50304	7.6896	
2000	0.2136	0.4806	1.602	3.50304	7.6896
3000	0.1068	0.2848	0.8544	2.136	4.8416
4000		0.2136	0.4806	1.602	3.50304