

LV INTELLIGENT HOUSEHOLD ENERGY STORAGE SYSTEM

RenonEBrick

- Racked design enables simple installation and the flexibility of the battery, which means it can be freely adjusted for different energy usage.
- Efficient and stable battery life, 8000 times of cycle life and over 10 years of designed calendar life.



Renon EBrick Series is a low voltage household battery storage system that stores energy from the generator, grid, or photovoltaic. Its stacked installation allows for rapid build to any home, and improved surge power capacity brings whole home backup in a compact system. EBrick can support up to 32 systems connected in parallel, which can be perfectly adjusted for different energy usage. The Intelligent EMS platform enables users to customize system behavior and monitor the system operation.

Battery

Nominal Energy (kWh)	5.12
Max. Charging/DisCharging (A)	≤100
Nominal Capacity (Ah)	100
Max. Charging Voltage (V)	58.4
Nominal Voltage (V)	51.2
Recommend Charging Voltage (V)	56.8
Recommend Discharge Cut-off Voltage (V)	46.8

Cell model LFP 100Ah/3.2V

Combination Mode 1P16S

Initial Internal Resistance (mΩ) <50

Standard Charge Current (A) 20

Standard Discharge Current (A) 50

General Parameters

Dimension (L*H*W mm) 408*132*440 (Standard 3U size)

Net Weight (Approximate) 45±1kg

Enclosure IP20

Operating Temperature Discharge -20°C~50°C
Charge 0°C~50°C

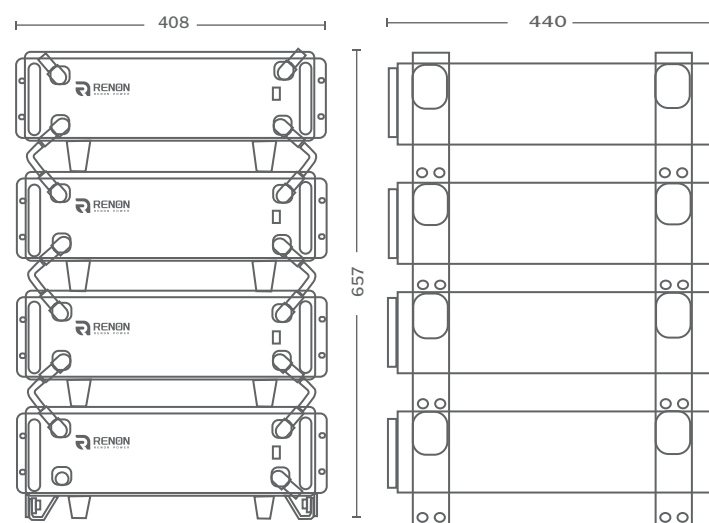
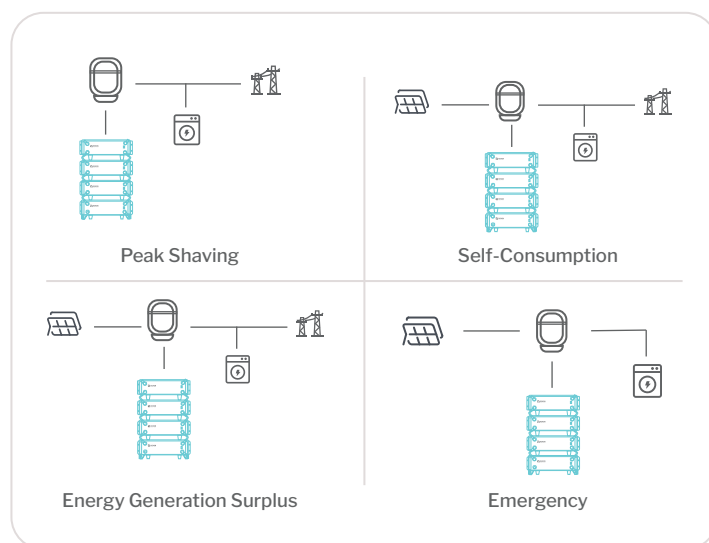
Relative Humidity Range (RH) 10% ~ 90%

Max. Operating Altitude (m) 2000

Cooling Free convection

Communication RS485/CAN

System Layout



System Characteristic

BESS Certifications UL 9540, UL1973, UL 1642, UN 38.3

Emissions FCC Part 15 Class B

Surge Protection DC Type II

Warranty 5Years Unconditional + 5Years Conditional