

PW-275W-60C-P
 PW-280W-60C-P SERIES 6 INCH 60 CELLS

275-280 WATT

THE
OBSIDIAN
 SERIES

POLYCRYSTALLINE



KEY FEATURES



Bankable products



Top rank in Photon yield measurement



Safety for fire risk



Outstanding power output capability at low irradiance



Triple 100% Electroluminescence (EL) tests minimize breakage rate



Tested and certified according to newest IEC standard
 IEC61730-1:2016 IEC61215-1:2016
 IEC61730-2:2016 IEC61215-2:2016

MANAGEMENT SYSTEM

ISO 9001: Quality management system
 ISO 14001: Standard for environmental management system
 OHSAS 18001: International standard for occupational health and safety assessment system

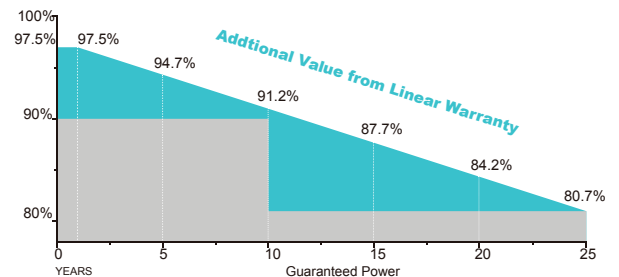
INSURANCE



PRODUCT CERTIFICATES



WARRANTY



Guarantee on product material and workmanship



linear power output warranty

Specifications are subject to change without further notification © Copyright 2019 Powerwave



POWERWAVE

www.powerwave.com.au sales@powerwave.com.au

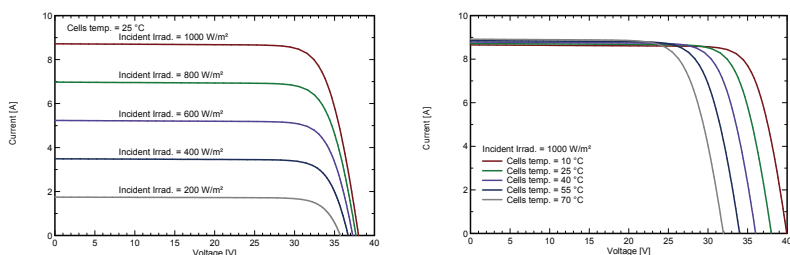
131 Millaroo Drive, Helensvale, Gold Coast Australia

Electrical Characteristics

Module Type	PW-275W-60C-P		PW-280W-60C-P	
	STC	NOCT	STC	NOCT
Maximum Power -P _{mp} (W)	275	204	280	208
Open Circuit Voltage -V _{oc} (V)	38.3	35.4	38.5	35.6
Short Circuit Current -I _{sc} (A)	9.08	7.35	9.18	7.44
Maximum Power Voltage -V _{mp} (V)	31.6	29.4	31.8	29.6
Maximum Power Current -I _{mp} (A)	8.71	6.94	8.81	7.03
Module Efficiency STC-η _m (%)	16.90/16.80		17.21/17.11	
Power Tolerance (W)	(0,+4.99)			
Maximum System Voltage (V)	1000VDC / 1500VDC			
Maximum Series Fuse Rating (A)	20A			
Pmax Temperature Coefficient	-0.39%/°C			
Voc Temperature Coefficient	-0.30 %/°C			
Isc Temperature Coefficient	+0.05 %/°C			
Operating Temperature	-40~+85 °C			
Nominal Operating Cell Temperature	45±2 °C			

STC: Irradiance 1000 W/m² module temperature 25°C AM=1.5
NOCT: Irradiance 800 W/m² ambient temperature 20°C wind speed :1m/s Power measurement tolerance: +/-3%

Curve



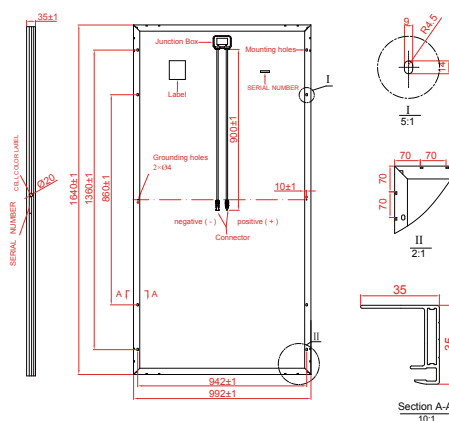
Mechanical Specifications

External Dimension	1640 x 992 x 35mm/1650 x 992 x 35mm
Weight	17.5kg/18.0kg
Solar Cells	Poly crystalline 156.75 x 156.75 mm (60pcs)
Front Glass	3.2 mm AR coating tempered glass, low iron
Frame	Anodized aluminium alloy
Junction Box	IP67
Output Cables	4.0 mm ² , cable length:900 mm
Connector	MC4 Compatible
Mechanical Load	5400 Pa

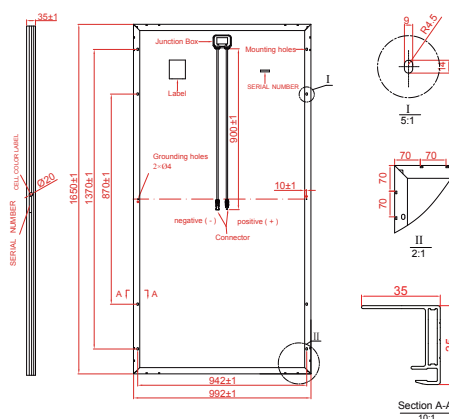
Packing Configuration

External Dimension	1640 x 992 x 35mm/1650 x 992 x 35mm	
Container	20'GP	40'GP
Pieces per Pallet	30	30
Pallets per Container	12	28
Pieces per Container	360	840

Technical drawing



Technical drawing



* All Dimensions in mm.
* The above drawing is a graphical representation of the product. For engineering quality drawings please contact POWERWAVE.