



GECO
Guide to Clean Energy

Experts in solar mounting systems

Geco Roof Mounting System

Sheet-metal Rooftop Mounting System GRMS-MS

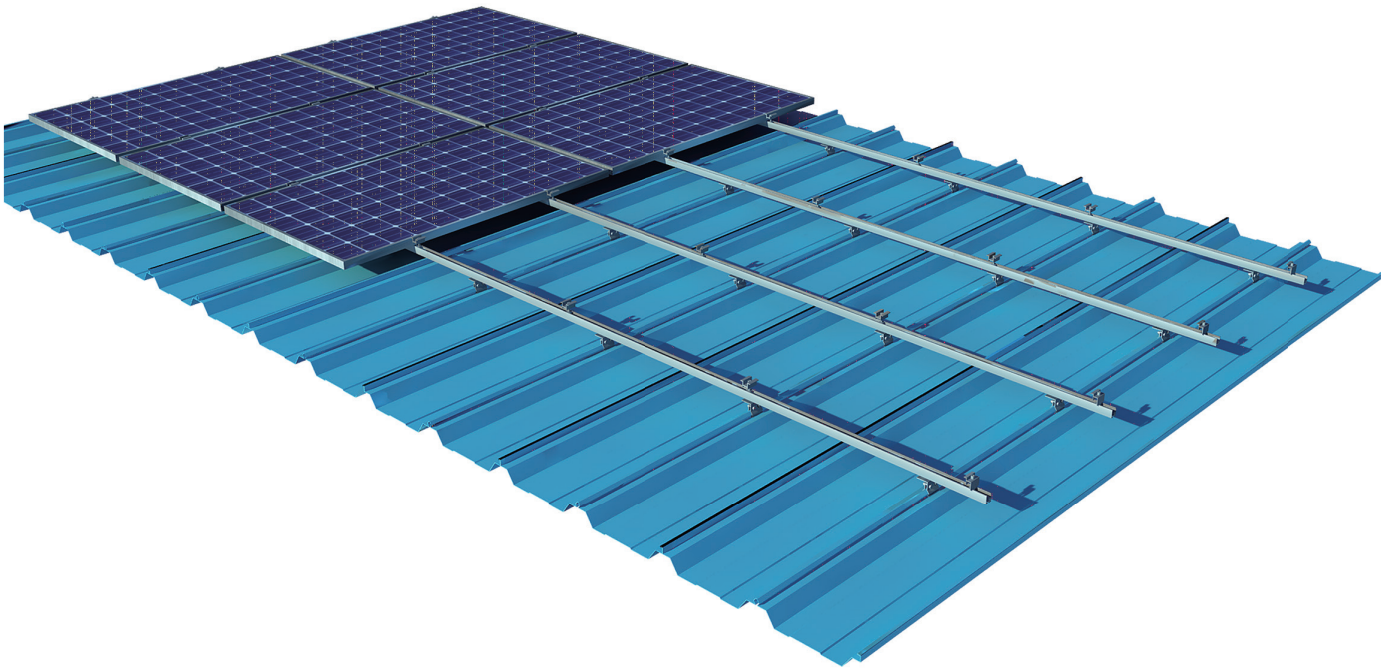
Product Features:

- Light-weight aluminum structure, decreases load on the roof;
- Clamps can be adapted to any kind of sheet-metal roof;
- Topside structures are universally applicable;
- Installation cost of lightning protection is low because of system's unique design.

Technical Parameters:

Structure Style:	Multi-point supporting monolayer rail structure
Foundation:	Sheet-Metal Roof
Module Layout:	Portrait/ Landscape
Module Angle:	Parallel to the slope of roof
Maximum Wind Load:	40 m/s(customizable)
Maximum Snow Load:	1.4KN/m ² (customizable)
Material:	Anodizing Aluminum Alloy
Warranty:	15 years

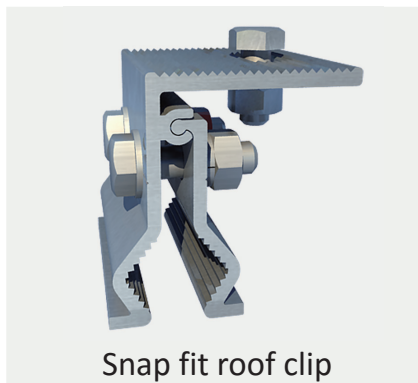
Preview



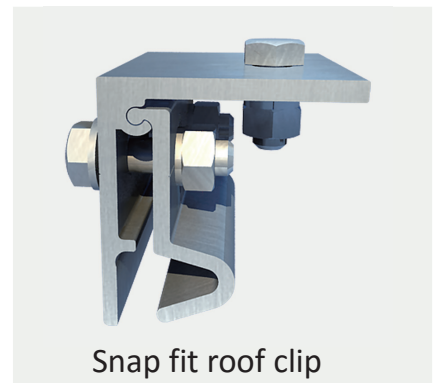
Clip



Snap lock roof clip



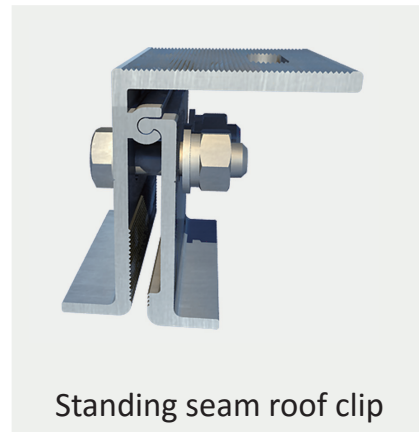
Snap fit roof clip



Snap fit roof clip



Trapezoidal seam roof clip



Standing seam roof clip