

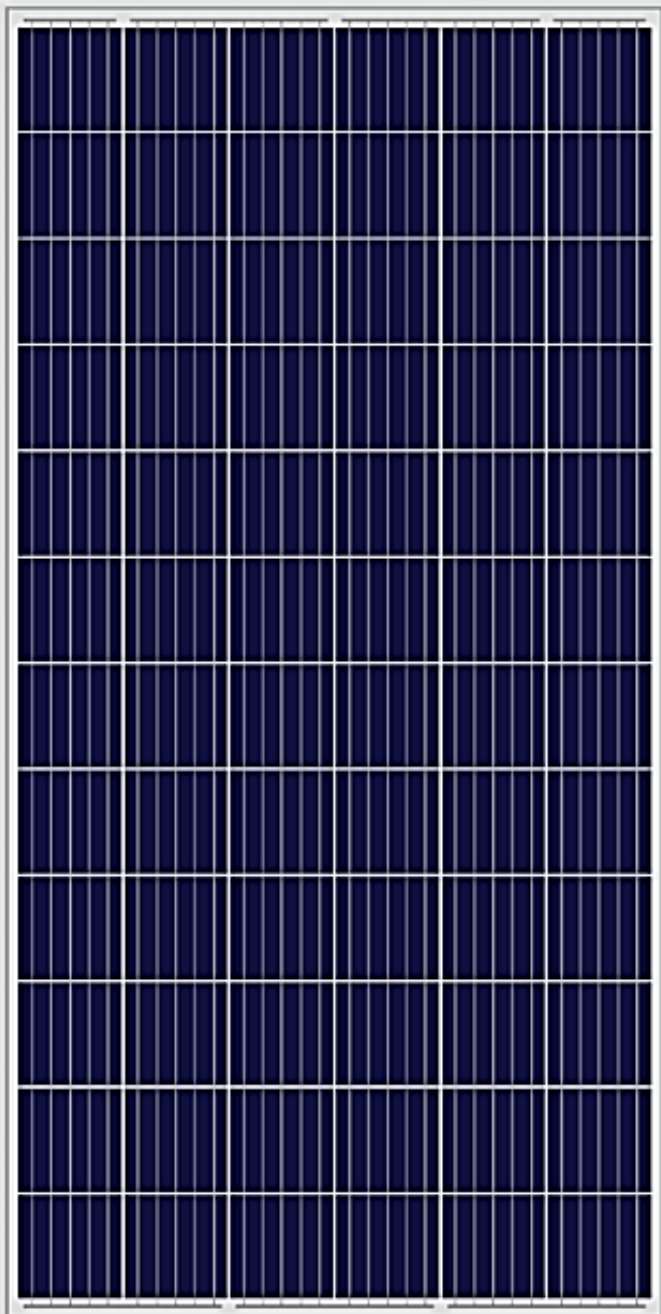
SW72P

385W/390W/400W

Polycrystalline Module



General Features:



IP68 junction box, connector

IP68 junction box and connector have a high degree of waterproof, effectively resist the harsh environment.



15A current

The junction box carries a current of 15A, ensuring high current flow through the modules.



Strong mechanical load capacity

Passed the 2400pa wind load and 5400pa snow load test, ensuring that the module has a stable mechanical life.



10 Years Manufacturer's Warranty

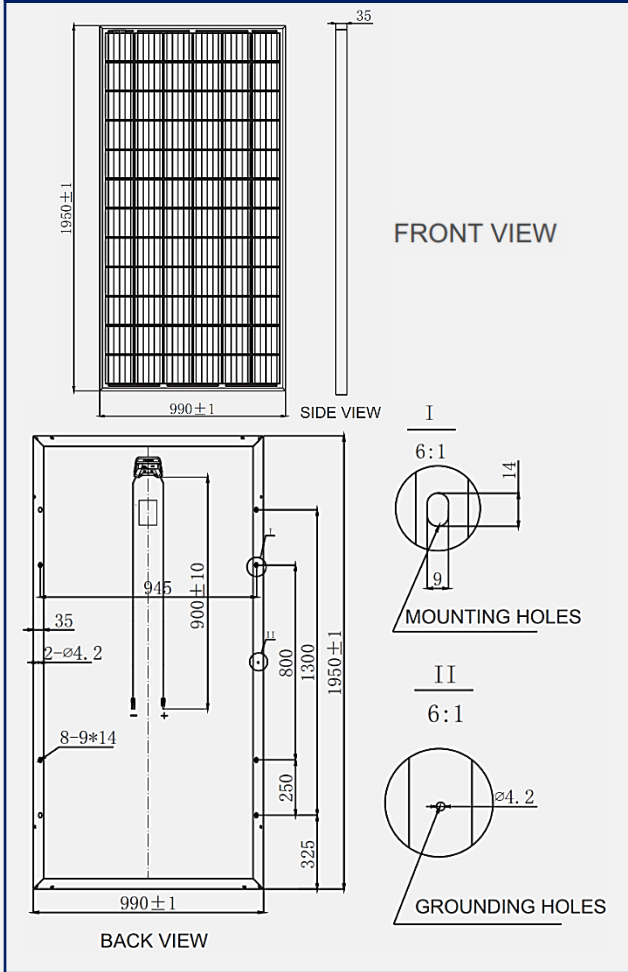


Positive Power tolerance is guaranteed (0 to 5 Wp)

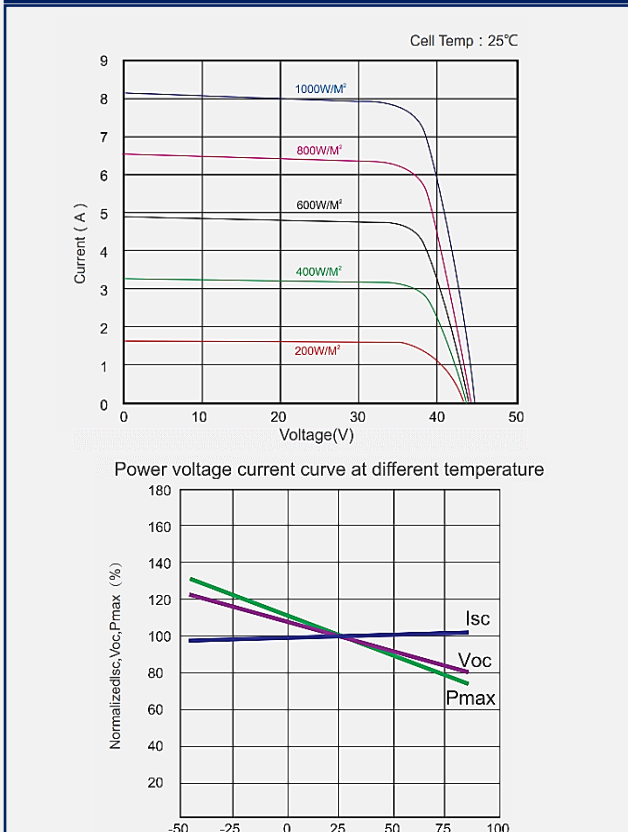


Excellent Low Light Performance

MECHANICAL DRAWINGS



MECHANICAL DRAWINGS



MECHANICAL SPECIFICATION

Cell Type	Poly Crystalline 156.75x156.75mm
Number of Cells	72 (6x12)
Dimensions(AxBxC)	1950x990x35mm
Weights	22.5kg
Front Glass	3.2mm Tempered Low Iron Glass
Frame	Clear Anodized Aluminum Alloy
Junction Box	1p68, with Bypass Diodes
Connector	Mc4 Compatible
Output Cables	Tuv, ±length 900mm, 4.0mm ²

ELECTRICAL CHARACTERISTICS

Parameter	320W	325W	330W	335W	340W
Maximum Power At STC(Pmax)	320W	325W	330W	335W	340W
Short Circuit Current(Isc)	9.03A	9.10A	9.22A	9.31A	9.37A
Open Circuit Voltage(Voc)	44.6V	44.9V	45.5V	46.17	46.4V
Maximum Power Current(Imp)	8.53A	8.62A	8.73A	8.82A	8.90A
Maximum Power Voltage(Vmpp)	37.5V	37.7V	37.8V	38.0V	38.2V
Module Efficiency	16.58%	16.84%	17.09%	17.35%	17.61%
Power Tolerance	0~+3%	0~+3%	0~+3%	0~+3%	0~+3%

NOCT

Parameter	237.1	240.8	244.5	248.2	251.9
Maximum Power At STC(Pmax)	237.1	240.8	244.5	248.2	251.9
Short Circuit Current(Isc)	7.31	7.37	7.46	7.54	7.59
Open Circuit Voltage(Voc)	41.2	41.5	42.1	42.6	42.9
Maximum Power Current(Imp)	6.87	6.92	7.02	7.08	7.13
Maximum Power Voltage(Vmpp)	34.5	34.8	34.8	35.0	35.3

SYSTEM INTEGRATION PARAMETERS

Maximum System Voltage	VDC 1000V
Maximum Series Fuse	15A
Increased Snowload Acc.to Iec 61215	5400Pa
Operating Temperature	-40~+85°C
Number Of Bypass Diodes	3

TEMPERATURE CHARACTERISTICS

Norminal Operating Cell Temperature (Noct)	45°C±2°C
Temperature Coefficient Of Pmax	-0.41%/°C
Temperature Coefficient Of Voc	-0.33%/°C
Temperature Coefficient of Isc	0.06%/°C

PACKING CONFIGURATION

Container	20' GP	40' GP/40' HQ
Pieces Per Pallet	30	30/30
Pallets Per Container	10	24/24
Pieces Per Container	300	720/768

